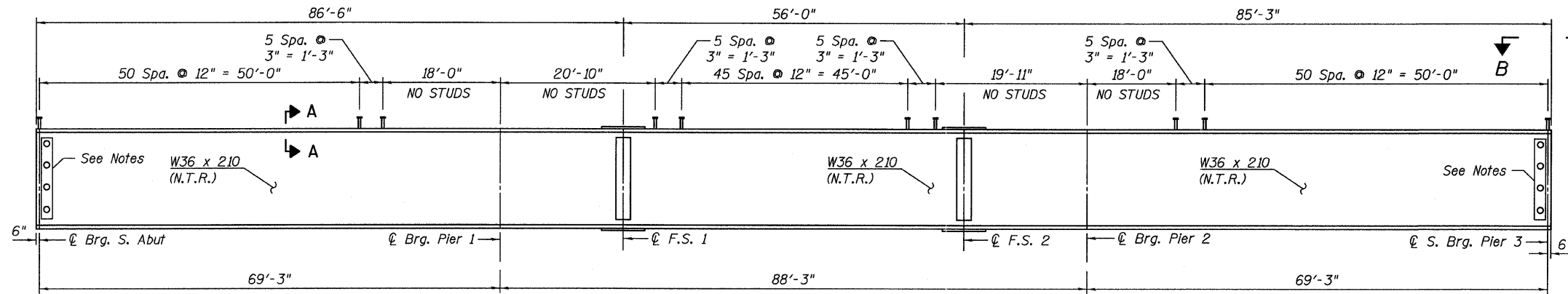
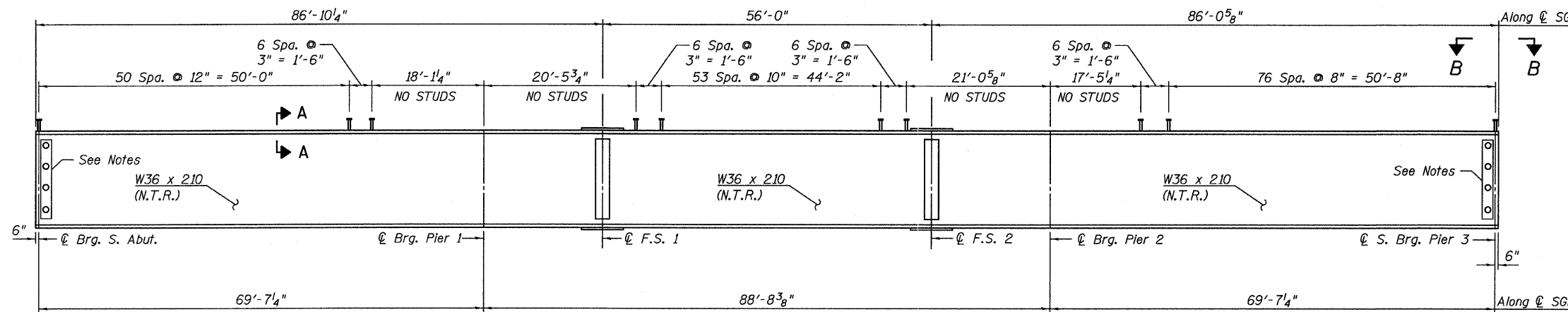


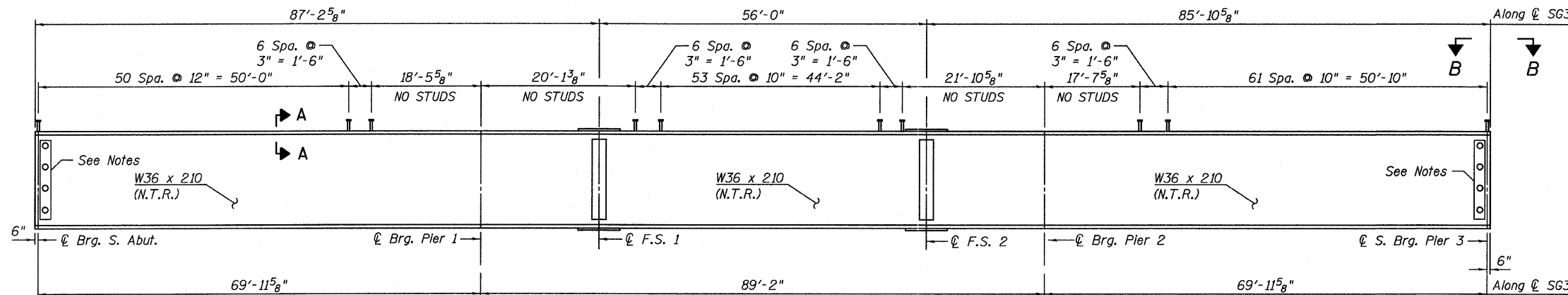
STATE OF ILLINOIS
DEPARTMENT OF TRANSPORTATION



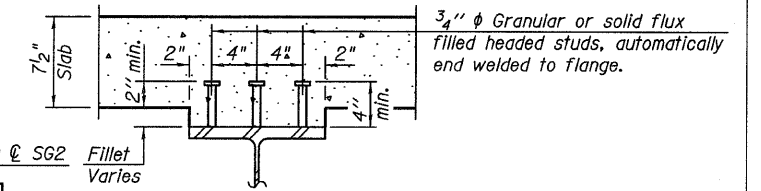
GIRDER ELEVATION - SG1



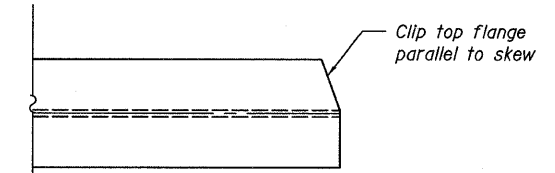
GIRDER ELEVATION - SG2



GIRDER ELEVATION - SG3



SECTION A-A



VIEW B-B

NOTES

See Sheet No. 38 for number and location of holes in beam webs.

Load carrying components designated "NTR" shall conform to the Supplemental Requirements for Notch Toughness, Zone 2.

New structural steel members are furnished under a separate contract.

GIRDER ELEVATIONS
SPANS 1, 2 & 3
STRUCTURE NO. 016-3241

TYLIN INTERNATIONAL

DESIGNED - PK		REVISIONS	
NAME	DATE	NAME	DATE
CHECKED - AMD,			
DRAWN - PK			
CHECKED - AMD,			
DATE - 03/25/2011			

SHEET NO. 34	F.A.I RTE.	SECTION	COUNTY	TOTAL SHEETS	SHEET NO.
	55	0711.2R & 1011.1BR	COOK	741	287
71 SHEETS	CONTRACT NO. 60999				
FED. ROAD DIST. NO. 1 ILLINOIS FED. AID PROJECT					

11:30:32 AM
p:\01345\structur\C1_South_Approach_016-3241\155e1Framed11.dgn
4/28/2011 11:30:32 AM