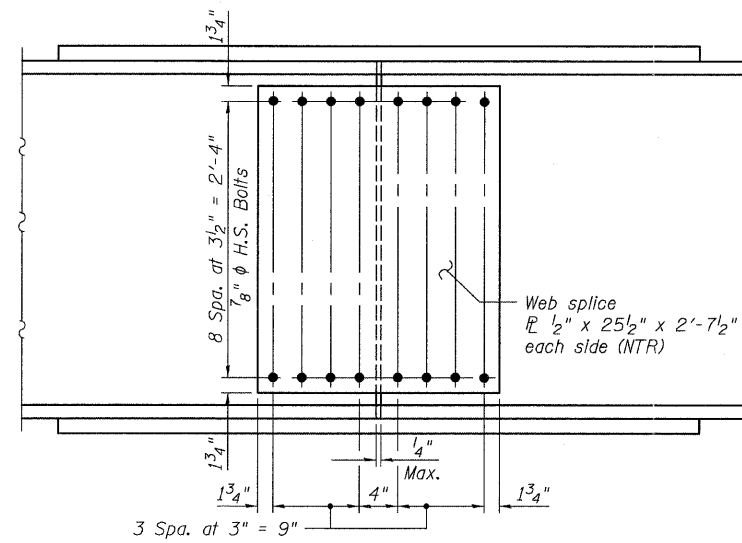
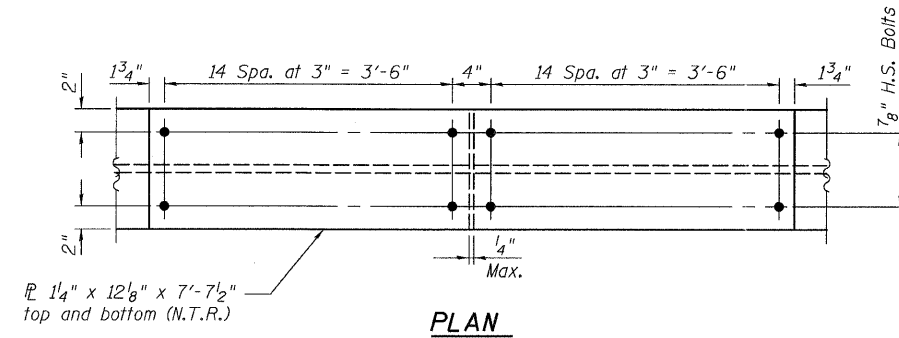


STATE OF ILLINOIS
DEPARTMENT OF TRANSPORTATION

SI-35



SPLICE DETAIL
F.S. 1 THRU F.S. 4

Load carrying components designated "NTR"
shall conform to the Supplemental Requirements
for Notch Toughness, Zone 2.

FRAMING DETAILS 4
FIELD SPLICES
STRUCTURE NO. 016-3241

TYLIN INTERNATIONAL	DESIGNED - JMA	REVISIONS		SHEET NO. 41	F.A.I. RTE.	SECTION	COUNTY	TOTAL SHEETS	SHEET NO.	
	CHECKED - AMD,	NAME	DATE		55	0711.2R & 1011.1BR	COOK	741	294	
	DRAWN - JMA				CONTRACT NO. 60999					
	CHECKED - AMD,				FED. ROAD DIST. NO. 1 ILLINOIS FED. AID PROJECT					
	DATE - 03/25/2011									

4/28/2011

p:\01345\structure\C1 South Approach_016-3241\15501 Framed.tB.dgn