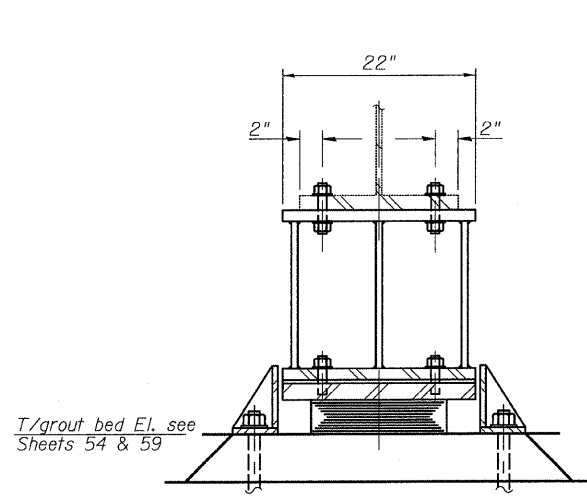
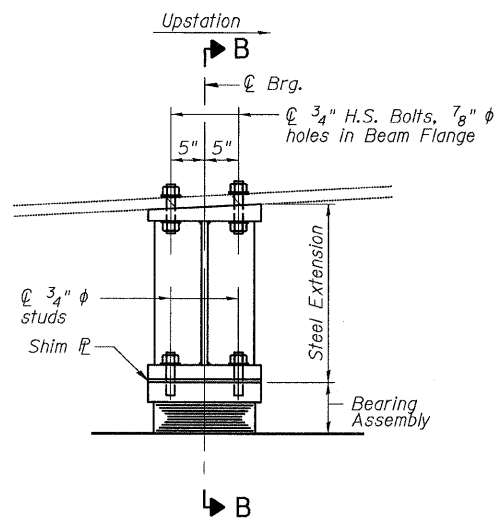


STATE OF ILLINOIS  
DEPARTMENT OF TRANSPORTATION



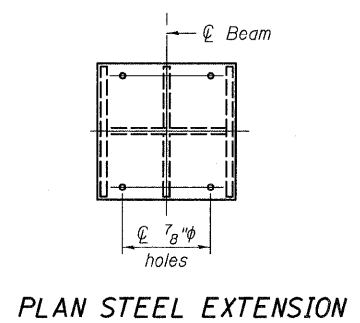
**SECTION B-B**

T/grout bed El. see  
Sheets 54 & 59

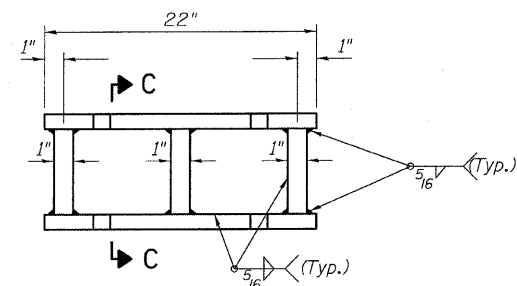


**BEARING ELEVATION WITH  
STEEL EXTENSION**

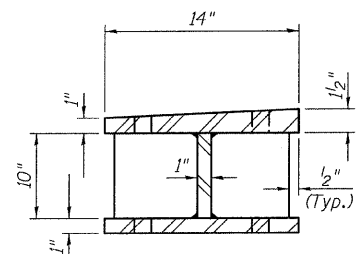
Side Retainers and Anchor Bolts  
Not Shown for Clarity



**PLAN STEEL EXTENSION**



**ELEVATION STEEL EXTENSION**



**SECTION C-C**

**NOTES**

The details shown on this sheet applies to the existing beams on Piers 2 and 4 only.

The Structural Steel plates shall conform to the requirements of AASHTO M270 Grade 50.

Prior to ordering any material, the Contractor shall verify in the field all bearing height and shim thickness dimensions.

Place 1/16" shim plate at each bearing, located as shown on this sheet.

Work this drawing with Sheet 42.

Steel extensions are furnished under a separate contract. Cost to erect the steel extensions is included with "Erecting Structural Steel".

**STEEL EXTENSION DETAILS  
STRUCTURE NO. 016-3241**

<b>TYLIN INTERNATIONAL</b>	DESIGNED - JMA	REVISIONS		SHEET NO. 44	F.A.I RTE.	SECTION	COUNTY	TOTAL SHEETS	SHEET NO.									
	CHECKED - AMD,	NAME	DATE							71 SHEETS	55	0711.2R & 1011.1BR	COOK	741	297			
	DRAWN - JMA																	
	CHECKED - AMD,															CONTRACT NO. 60999		
	DATE - 03/25/2011															FED. ROAD DIST. NO. 1   ILLINOIS   FED. AID PROJECT		

11:30:44 AM

p:\01345\structure\1 South Approach\_016-3241\1551bearing.dwg

4/28/2011