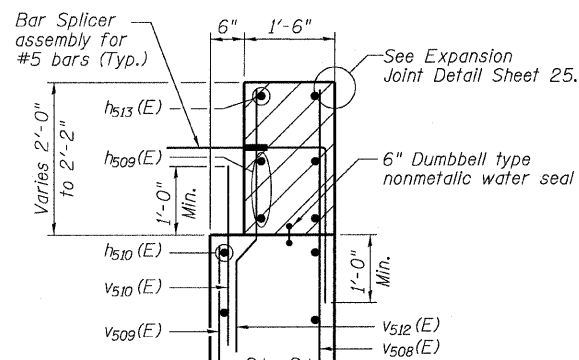


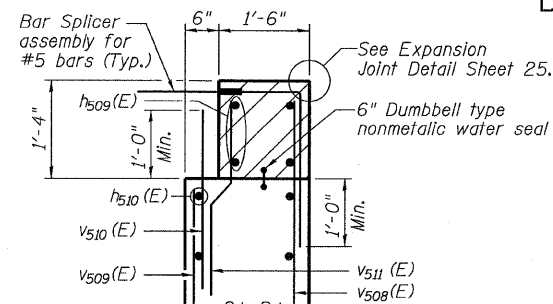
STATE OF ILLINOIS
DEPARTMENT OF TRANSPORTATION

NOTES

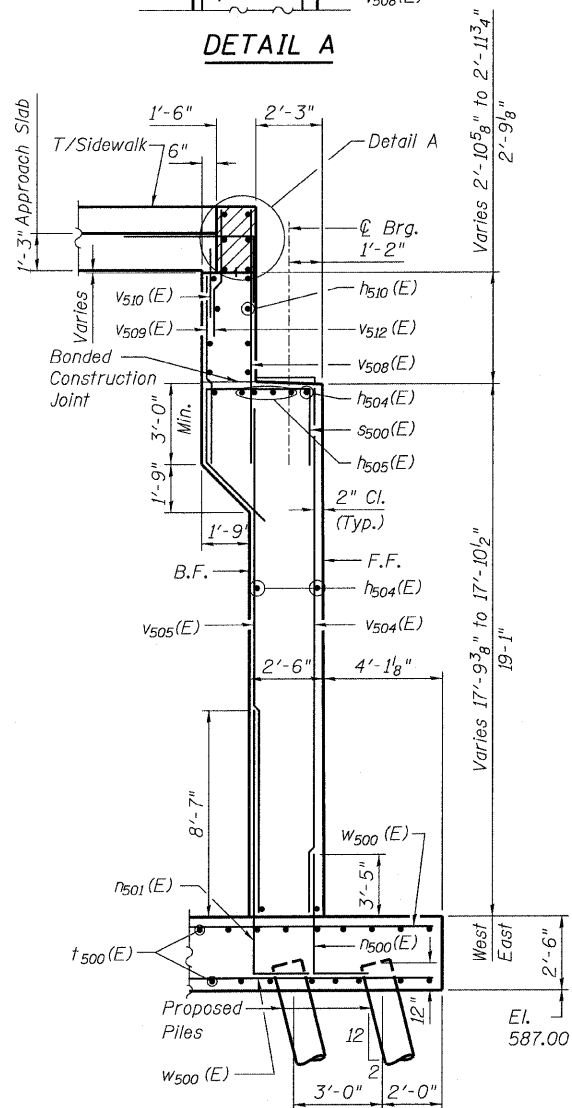
Work this sheet with Sheets 46 through 50.



DETAIL A

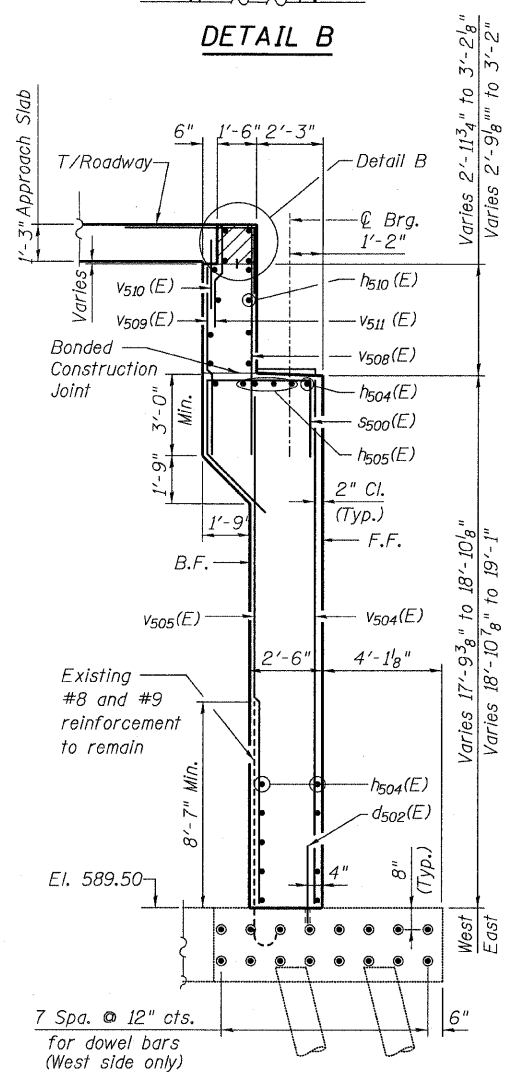


DETAIL B



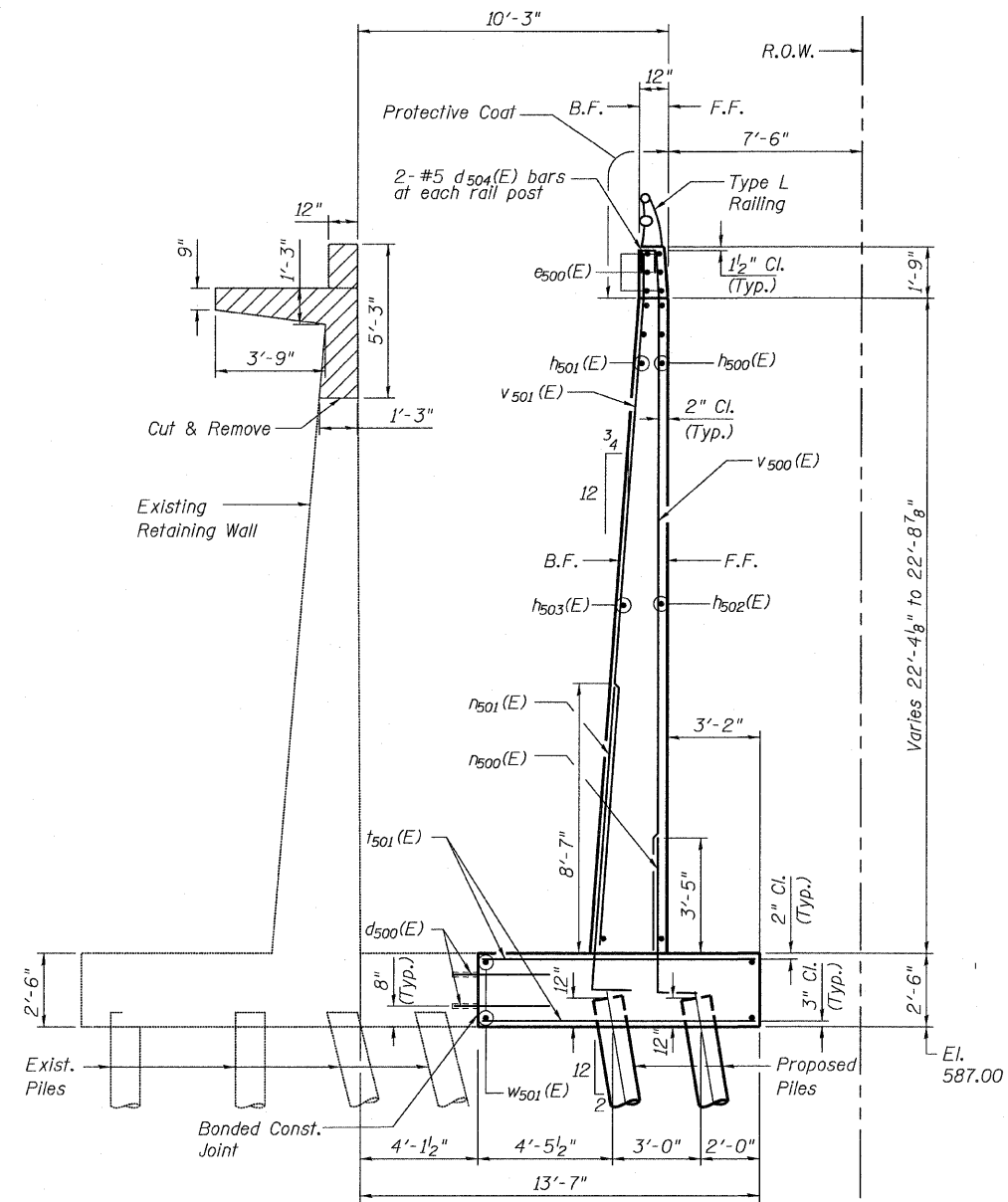
SECTION A-A

(East reinforcement shown,
West reinforcement similar)

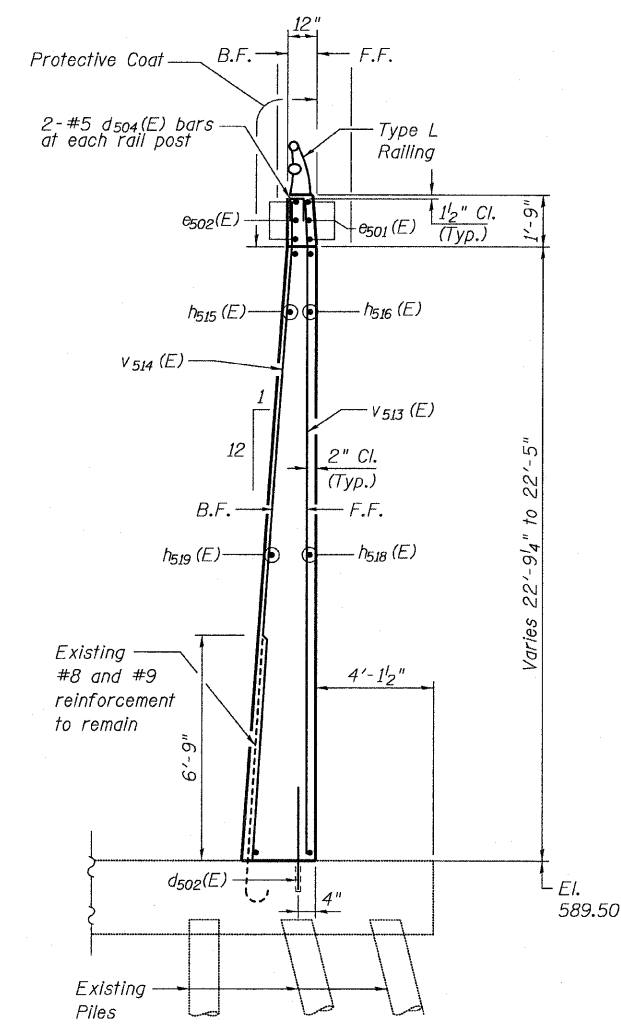


SECTION B-B

(East reinforcement shown,
West reinforcement similar)



SECTION C-C



SECTION D-D

SOUTH ABUTMENT
DETAILS - 1 of 2
STRUCTURE NO. 016-3241

TYLIN INTERNATIONAL

| DESIGNED | MMB | REVISIONS | |
|----------|------------|-----------|------|
| CHECKED | AMD, | NAME | DATE |
| DRAWN | MMB | | |
| CHECKED | AMD, | | |
| DATE | 03/25/2011 | | |

| | | | | | |
|---|-------------|--------------------|--------------------|--------------|-----------|
| SHEET NO. 49 | F.A.I. RTE. | SECTION | COUNTY | TOTAL SHEETS | SHEET NO. |
| 71 SHEETS | 55 | 0711.2R & 1011.1BR | COOK | 741 | 302 |
| | | | CONTRACT NO. 60999 | | |
| FED. ROAD DIST. NO. 1 ILLINOIS FED. AID PROJECT | | | | | |

p:\01345\structure\1\1\South Approach 016-3241\155\slab4.dgn 4/28/2011 6:27:44 PM