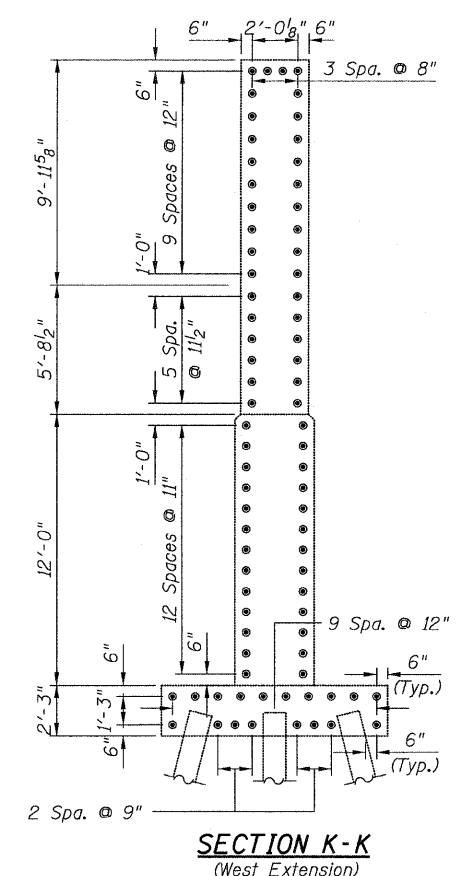
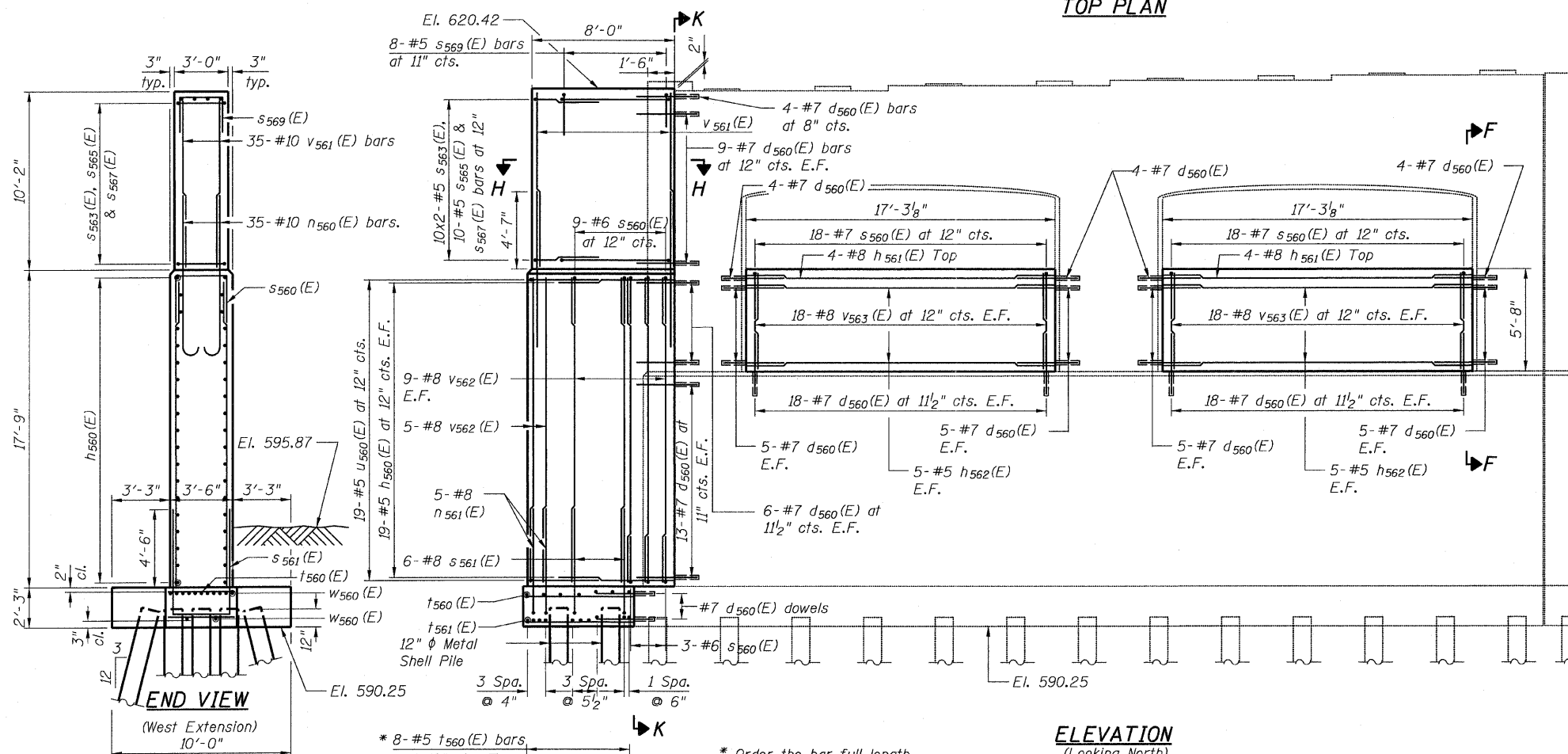
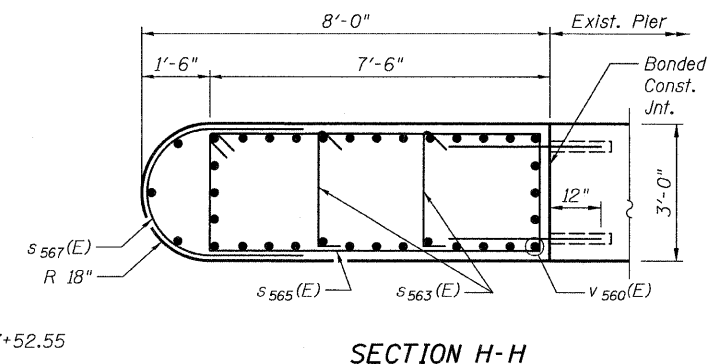
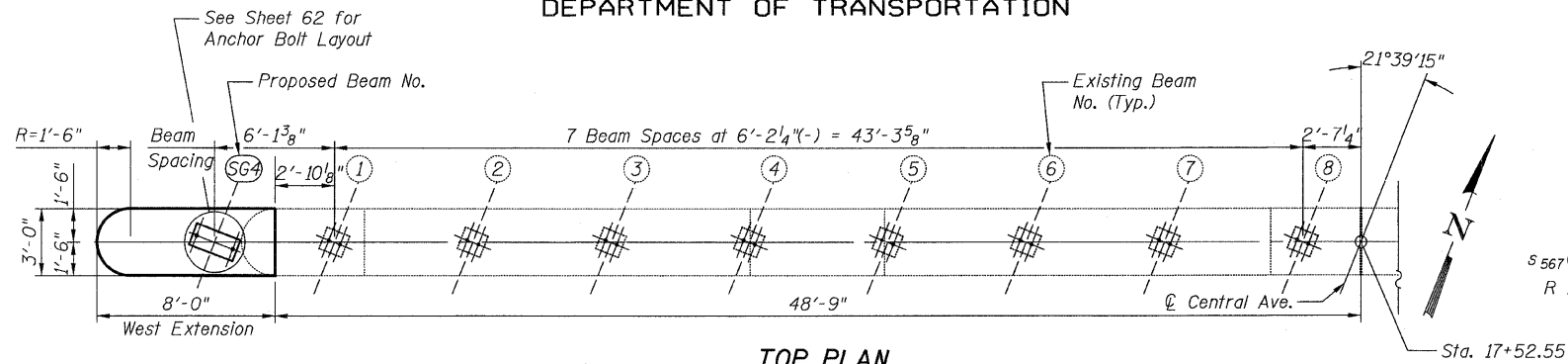


NOTES

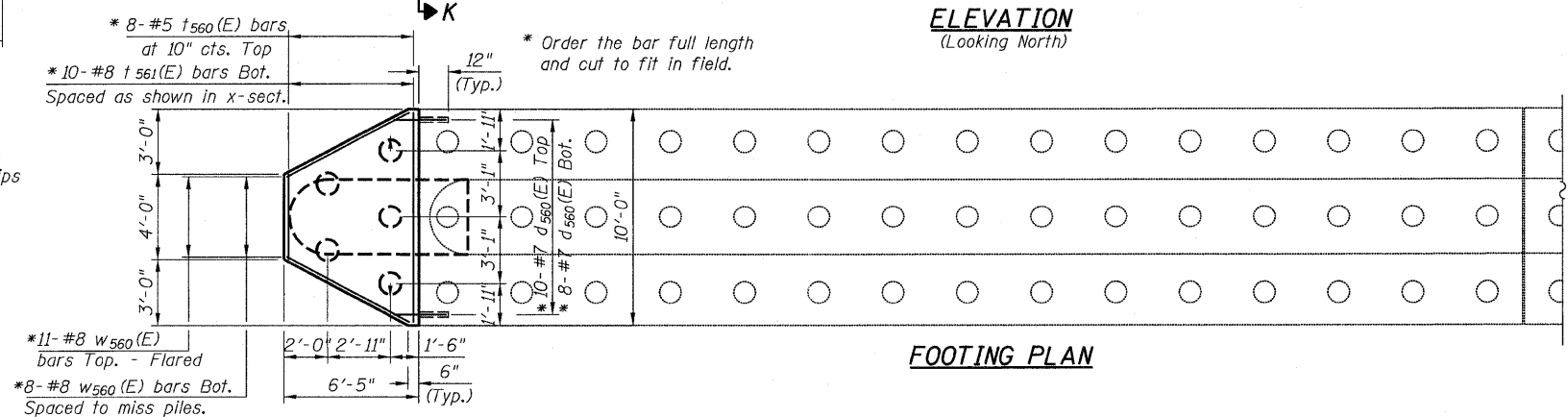
1. Work this sheet with Sheets 60 & 62.

STATE OF ILLINOIS
DEPARTMENT OF TRANSPORTATION



PILE DATA
Type: 12" ϕ x 0.25" Wall
Nominal Required Bearing: 270 kips
Allowable Resistance Available: 90 kips
Estimated Length: 45 ft
No. Production Piles: 5

Proposed Pile
Existing Pile



**PIER 5 WIDENING
WEST
STRUCTURE NO. 016-3241**

TYLIN INTERNATIONAL	DESIGNED - MMB	REVISIONS		SHEET NO. 61 71 SHEETS	F.A.I. RTE.	SECTION	COUNTY	TOTAL SHEETS	SHEET NO.	
	CHECKED - AMD,	NAME	DATE		55	0711.2R & 1011.1BR	COOK	741	314	
	DRAWN - MMB				CONTRACT NO. 60999					
	CHECKED - AMD,				FED. ROAD DIST. NO. 1 ILLINOIS FED. AID PROJECT					
	DATE - 03/25/2011									

6:27:50 PM
 p:\01345\structure\1\South Approach 016-3241\155\p1er-5.w.dgn
 4/28/2011