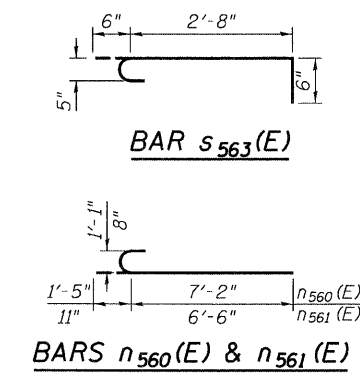
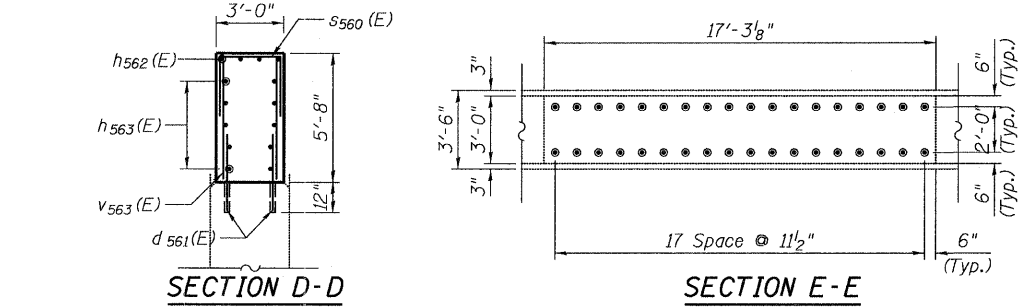
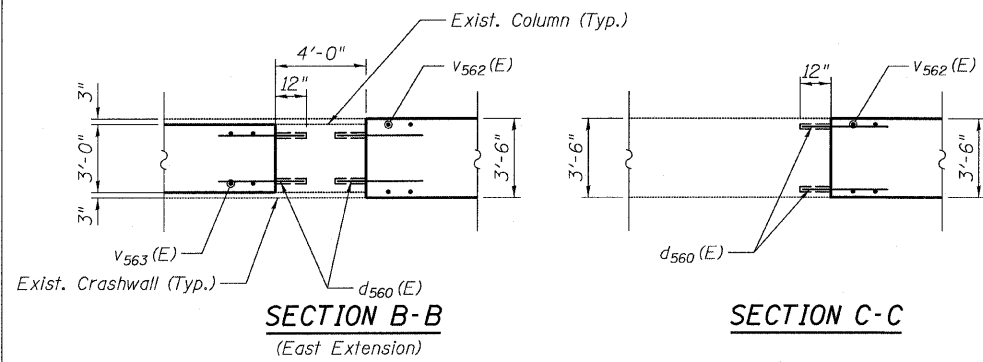
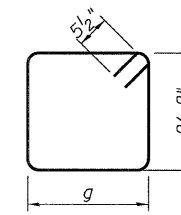
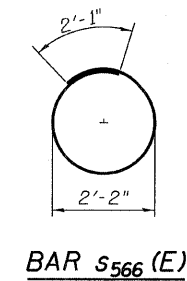
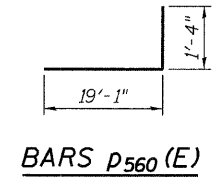
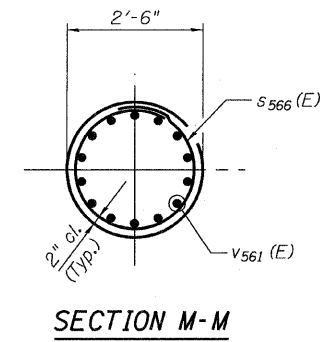
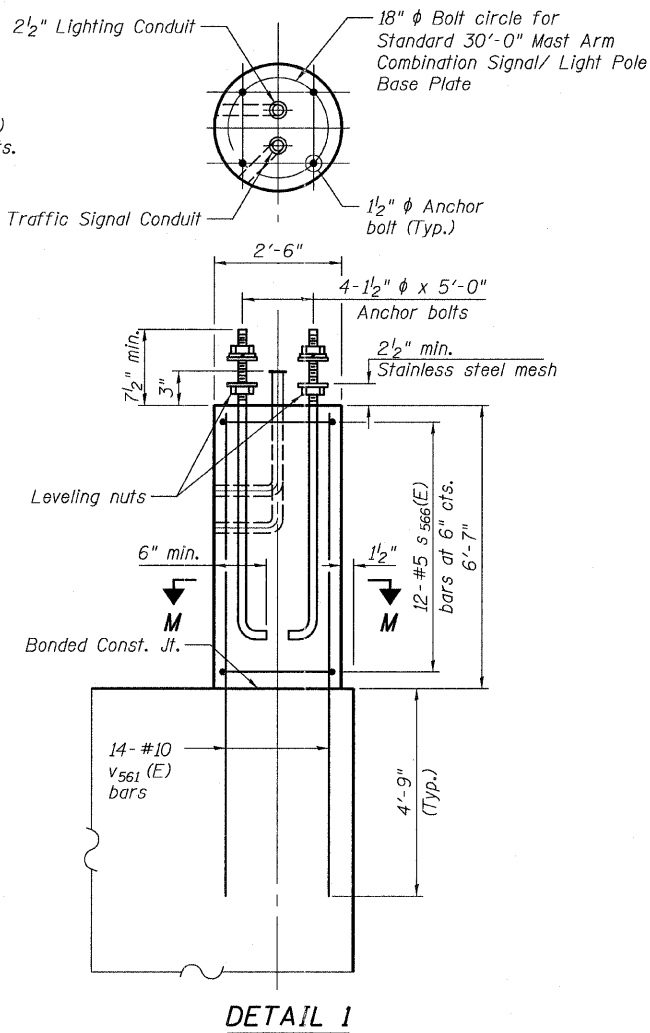
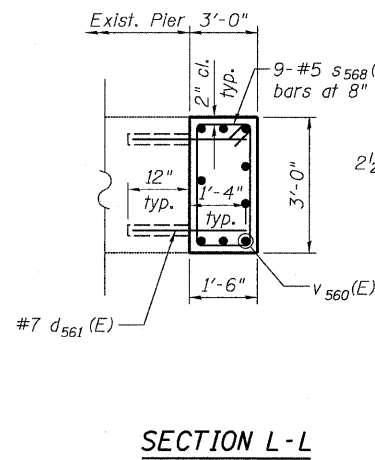
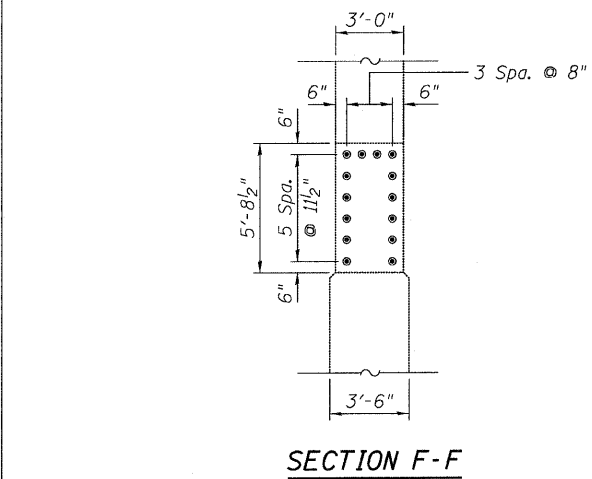


STATE OF ILLINOIS
DEPARTMENT OF TRANSPORTATION



BILL OF MATERIAL

Bar	No.	Size	Length	Shape
d560 (E)	410	#7	4'-1"	—
d561 (E)	8	#7	2'-4"	—
h560 (E)	60	#5	6'-6"	—
h561 (E)	16	#8	17'-0"	—
h562 (E)	40	#5	17'-0"	—
h563 (E)	12	#5	17'-9"	—
* h564 (E)	4	#8	17'-9"	—
h565 (E)	36	#5	16'-2"	—
n560 (E)	35	#10	8'-7"	—
n561 (E)	10	#8	7'-5"	—
* p560 (E)	10	#8	25'-8"	—
* p561 (E)	5	#8	19'-1"	—
s560 (E)	108	#6	8'-4"	—
s561 (E)	24	#8	16'-2"	—
s562 (E)	66	#5	11'-6"	—
s563 (E)	62	#5	3'-8"	—
s564 (E)	9	#5	13'-7"	—
s565 (E)	10	#5	20'-7"	—
s566 (E)	12	#5	8'-11"	—
s567 (E)	28	#5	8'-3"	—
s568 (E)	9	#5	8'-9"	—
s569 (E)	8	#5	6'-11"	—
* t560 (E)	25	#5	9'-8"	—
* t561 (E)	30	#8	9'-8"	—
u560 (E)	38	#5	9'-1"	—
v560 (E)	32	#10	13'-5"	—
v561 (E)	49	#10	10'-10"	—
v562 (E)	70	#8	17'-4"	—
v563 (E)	144	#8	5'-7"	—
* w560 (E)	19	#5	6'-4"	—
* w561 (E)	20	#5	15'-9"	—
Test Pile Metal Shells	Each		1	
Structure Excavation	Cu Yd		104	
Concrete Structures	Cu Yd		145.3	
Reinforcement Bars, Epoxy Coated	Pound		24,230	
Furnishing Metal Shell Piles 12"x0.25"	Foot		764	
Driving Piles	Foot		764	



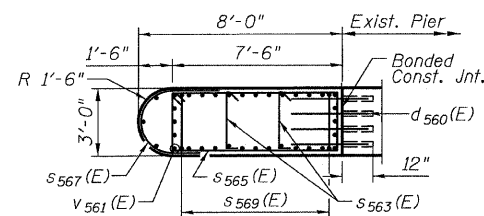
Bar	g
s564 (E)	3'-8"
s565 (E)	7'-2"
s568 (E)	1'-3"

Bar	c	d
s560 (E)	3'-2"	2'-7"
s561 (E)	3'-2"	6'-6"
s562 (E)	2'-8"	4'-5"
s569 (E)	2'-7"	2'-2"

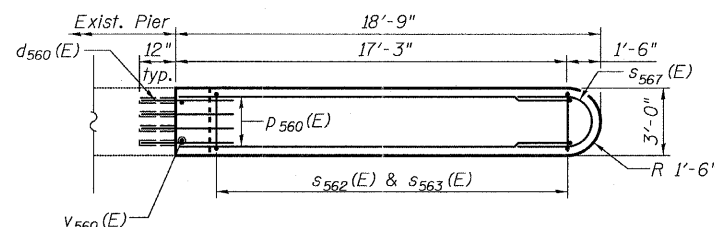
BARS s560 (E), s561 (E), s562 (E) & s569 (E)

Bar	a	b	r
s567 (E)	2'-2"	3'-11"	1'-3 1/2"
u560 (E)	2'-2"	4'-9"	1'-6"

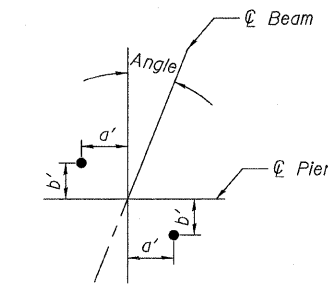
BARS s567 (E) & u560 (E)



WEST EXTENSION-PLAN



EAST EXTENSION-PLAN



ANCHOR BOLT LAYOUT

Beam	Angle	a'	b'
SG4	20°58'38"	8 1/8"	3 1/8"
SG8	21°39'15"	8 1/8"	3 1/4"
SG9	21°39'15"	8 1/8"	3 1/4"

* Cut to fit in field.

NOTES

1. Work this sheet with Sheets 60 & 61.

PIER 5 WIDENING
SECTIONS & DETAILS
STRUCTURE NO. 016-3241

TYLIN INTERNATIONAL	DESIGNED - MMB	REVISIONS	
	CHECKED - AMD,	NAME	DATE
	DRAWN - MMB		
	CHECKED - AMD,		
	DATE - 03/25/2011		

SHEET NO. 62 71 SHEETS	F.A.I RTE.	SECTION	COUNTY	TOTAL SHEETS	SHEET NO.
	55	0711.2R & 1011.1BR	COOK	741	315
CONTRACT NO. 60999					
FED. ROAD DIST. NO. 1 ILLINOIS FED. AID PROJECT					

9:02:00 AM
pi01345\structure\c1_south_approach\016-3241\55c1pier5det1.dwg