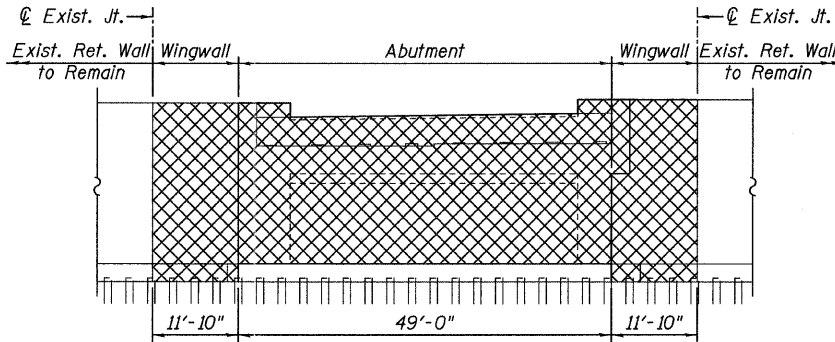


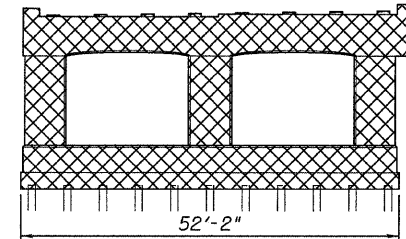
STATE OF ILLINOIS  
DEPARTMENT OF TRANSPORTATION



**RAMP ABUTMENTS**

The following is paid for as Removal of Existing Sub-Structures - Abutment Type 1:

- Ramp 1 Abut.
- Ramp 2 Abut.
- Ramp 3 Abut.
- Ramp 4 Abut.



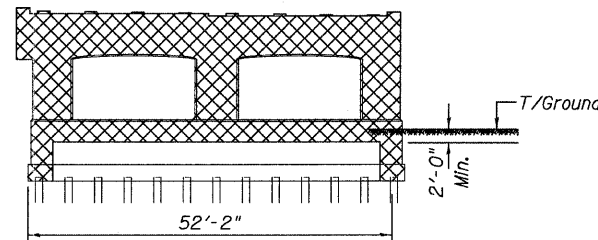
**RAMP PIERS - REMOVAL DETAILS**

The following is paid for as Removal of Existing Sub-Structures - Pier:

- Ramp 1 - Pier 3
- Ramp 2 - Piers 3 & 4
- Ramp 3 - Pier 2
- Ramp 4 - Pier 3

**NOTES:**

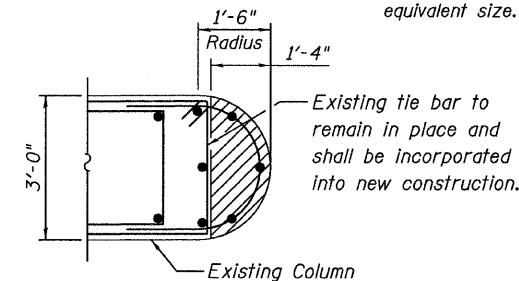
1. The existing structure plans are available from the Department for review by the Contractor.
2. Removal quantities are based on existing plan dimensions.
3. Sand blast clean existing reinforcing bars to be incorporated into new Construction. After cleaning, bars shall be evaluated to determine if additional reinforcing bars are required. Damaged or cut bars, or bars that have lost 25% or more of their original cross sectional areas shall be supplemented by drilling and grouting of new epoxy coated bars of equivalent size. Cost included with "Concrete Removal".



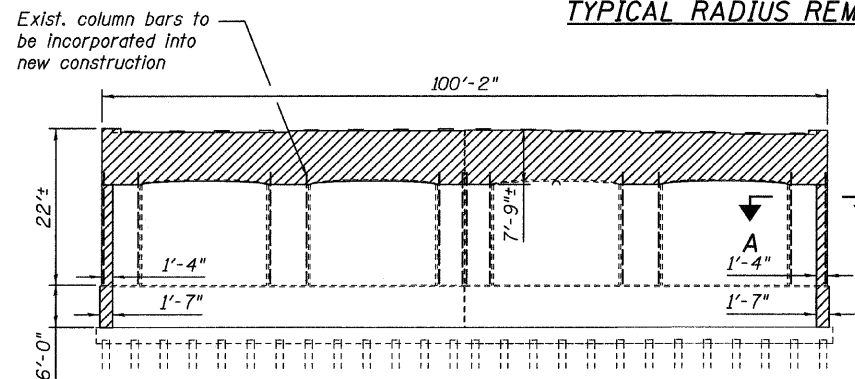
**RAMP PIERS - REMOVAL DETAILS**

The following is paid for as Removal of Existing Sub-Structures - Pier:

- Ramp 1 - Piers 1, 2, 4 & 5
- Ramp 2 - Piers 1, 2, & 5
- Ramp 3 - Piers 1, 3 & 4
- Ramp 4 - Piers 1, 2, 4 & 5



**SECTION A-A  
TYPICAL RADIUS REMOVAL**

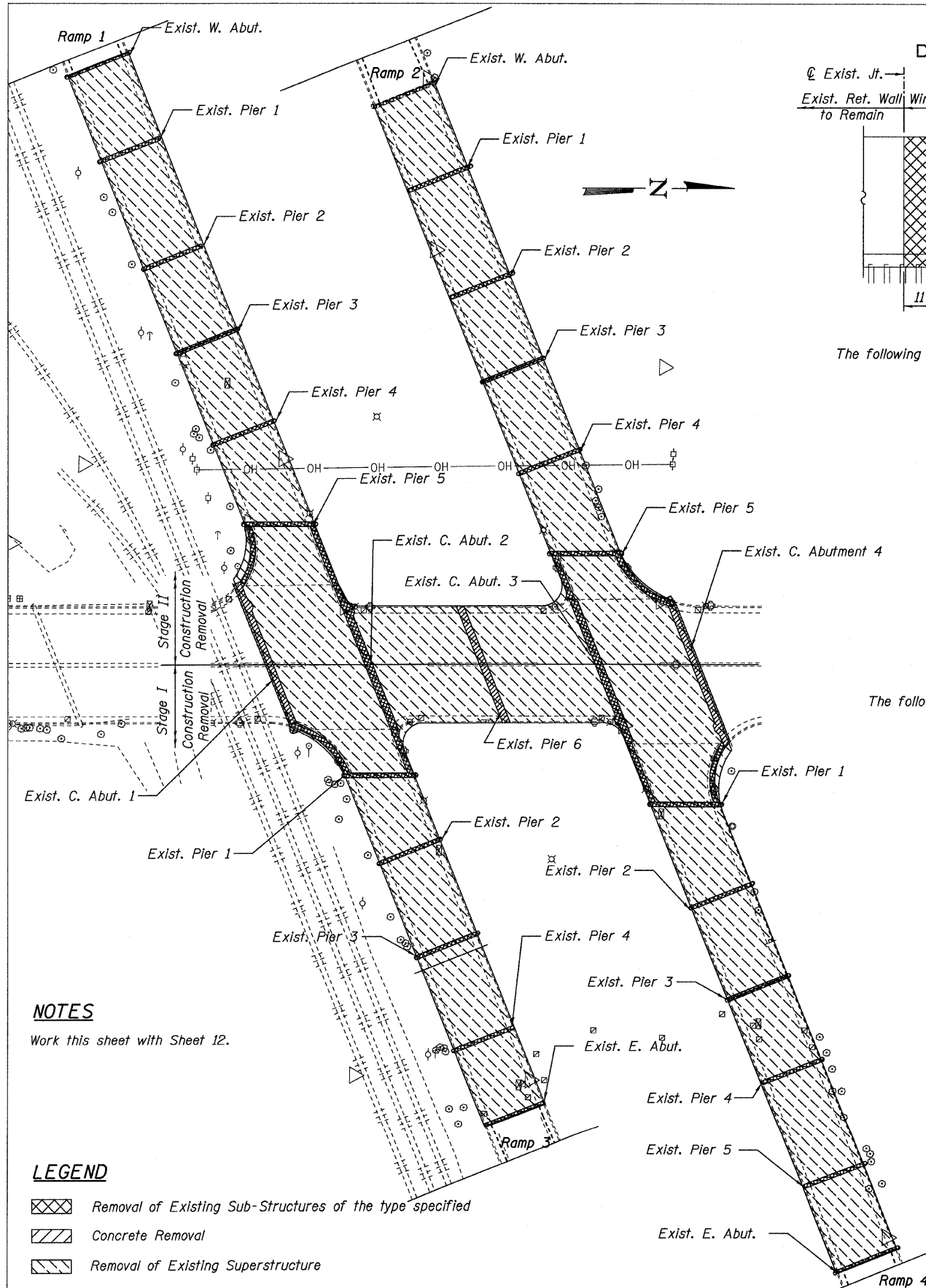


**PIER 6 - PARTIAL REMOVAL**

**BILL OF MATERIAL**

ITEM	UNIT	TOTAL
Removal of Existing Superstructures	L SUM	1
Concrete Removal	CU YD	1,489.5
Removal of Existing Sub-Structures - Abutment Type 1	EACH	4
Removal of Existing Sub-Structures - Abutment Type 2	EACH	2
Removal of Existing Sub-Structures - Pier	EACH	19

**REMOVAL PLAN 1  
CENTRAL/I-55  
STRUCTURE NO. 016-0724**



**NOTES**

Work this sheet with Sheet 12.

**LEGEND**

- Removal of Existing Sub-Structures of the type specified
- Concrete Removal
- Removal of Existing Superstructure

<b>TYLIN INTERNATIONAL</b>	DESIGNED - MMB	REVISIONS	
	CHECKED - AMD,	NAME	DATE
	DRAWN - MMB		
	CHECKED - AMD,		
	DATE - 03/25/2011		

SHEET NO. 11  239 SHEETS	F.A.I RTE.	SECTION	COUNTY	TOTAL SHEETS	SHEET NO.
	55	0711.2R & 1011.1BR	COOK	741	335
FED. ROAD DIST. NO. 1 ILLINOIS			FED. AID PROJECT		
CONTRACT NO. 60999					

p:\01345\structure\02 Central Ave. 016-0724\155e2removal1.dgn 6:32:06 PM 4/28/2011