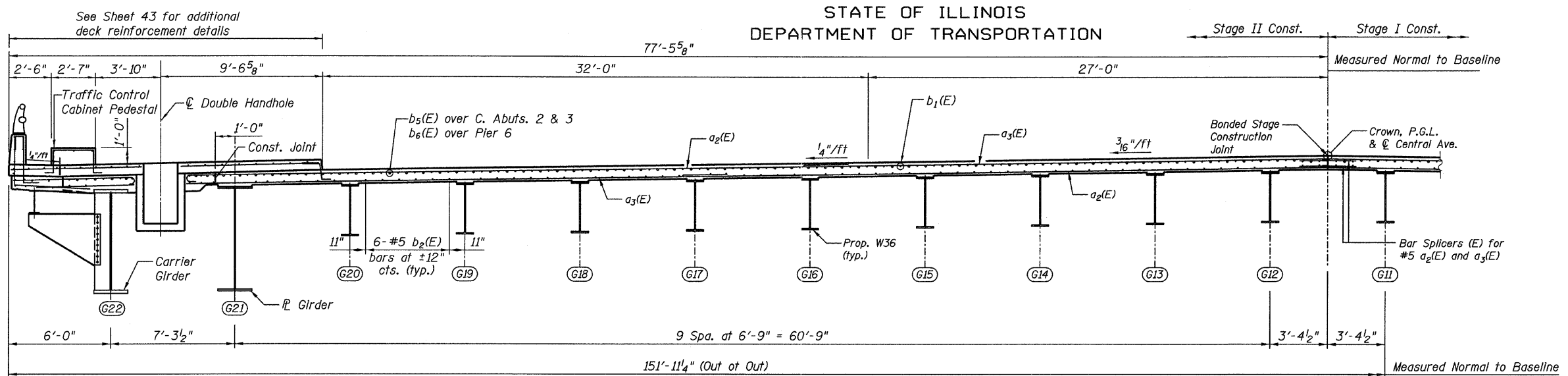
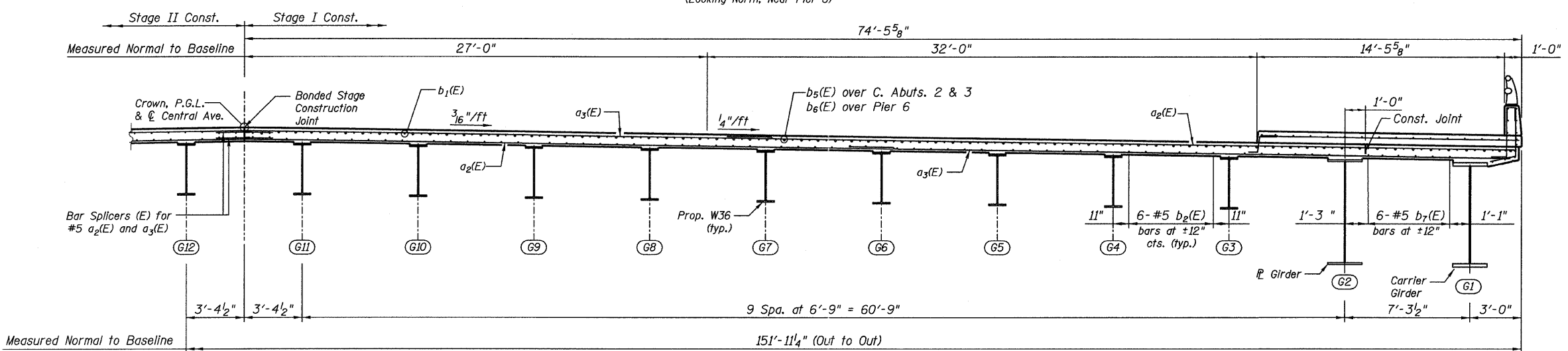


STATE OF ILLINOIS
DEPARTMENT OF TRANSPORTATION

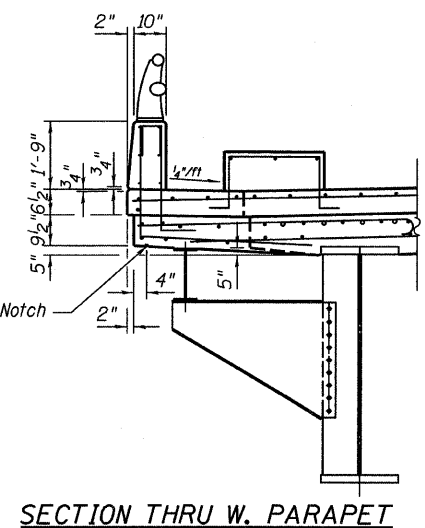


HALF SECTION B-B
(Looking North, Near Pier 6)

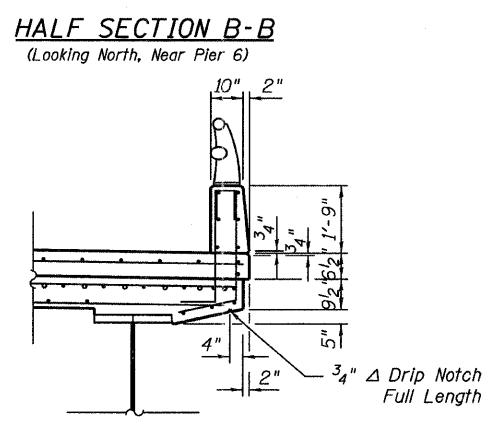


HALF SECTION B-B
(Looking North, Near Pier 6)

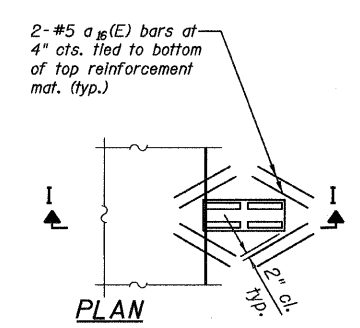
- NOTES:**
1. For locations of section B-B, see sheets 39 and 40.
 2. Concrete inserts and hanger assemblies for traffic signal conduits, refer to traffic signal plans for details. The cost of installation included with the pay item "Concrete Superstructure".
 3. Concrete Inserts for underpass lighting shall be embedded in concrete. For numbers & locations of these items and installation details, refer to lighting plans. The cost of the embedded items included with the pay item "Concrete Superstructure".
 4. All deck construction joints shall be bonded construction joints.



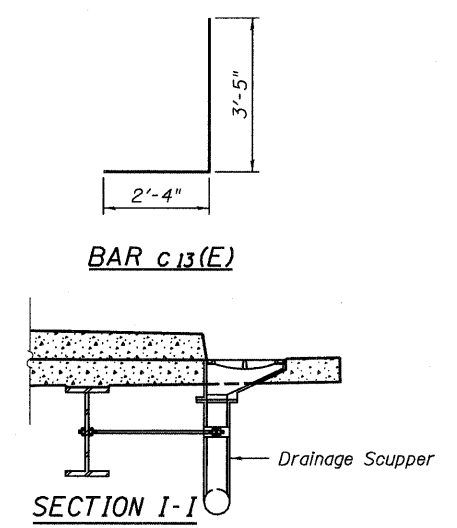
SECTION THRU W. PARAPET



SECTION THRU E. PARAPET



DRAINAGE SCUPPER DS-12



SECTION I-I

**SUPERSTRUCTURE
BILL OF MATERIAL**

Bar	No.	Size	Length (ft)	Shape
a ₁ (E)	60	#5	46'-0"	—
a ₂ (E)	1844	#5	36'-0"	—
a ₃ (E)	1844	#5	32'-0"	—
a ₄ (E)	40	#5	43'-9"	—
a ₅ (E)	40	#5	36'-4"	—
a ₆ (E)	114	#5	8'-2"	—
a ₇ (E)	12	#5	4'-1"	—
a ₈ (E)	95	#5	15'-0"	—
a ₉ (E)	7	#5	5'-7"	—
a ₁₀ (E)	5	#5	5'-0"	—
a ₁₁ (E)	7	#5	7'-7"	—
a ₁₂ (E)	5	#5	5'-6"	—
a ₁₃ (E)	107	#5	12'-3"	—
a ₁₄ (E)	48	#5	2'-0"	—
b ₁ (E)	1584	#5	30'-1"	—
b ₂ (E)	1140	#5	35'-6"	—
b ₃ (E)	260	#6	49'-0"	—
b ₄ (E)	146	#6	45'-0"	—
b ₅ (E)	38	#6	22'-8"	—
b ₆ (E)	8	#5	11'-8"	—
b ₇ (E)	252	#5	35'-0"	—
b ₈ (E)	56	#5	8'-0"	—
b ₉ (E)	50	#5	19'-8"	—
b ₁₀ (E)	5	#5	11'-8"	—
b ₁₁ (E)	3	#5	5'-8"	—
c ₁ (E)	348	#5	23'-8"	—
c ₂ (E)	80	#5	2'-6"	—
c ₃ (E)	710	#5	1'-6"	—
c ₄ (E)	56	#4	8'-3"	—
c ₅ (E)	98	#5	2'-4"	—
c ₆ (E)	74	#5	25'-4"	—
c ₇ (E)	13	#5	4'-0"	—
c ₈ (E)	7	#5	5'-7"	—
c ₉ (E)	4	#5	8'-6"	—
c ₁₀ (E)	12	#5	4'-6"	—
c ₁₁ (E)	20	#5	8'-8"	—
c ₁₂ (E)	20	#5	5'-9"	—
c ₁₃ (E)	60	#5	5'-6"	—
d ₁ (E)	85	#6	3'-9"	—
d ₂ (E)	70	#4	4'-4"	—
d ₃ (E)	13	#4	7'-3"	—
d ₄ (E)	30	#4	2'-0"	—
e ₁ (E)	6	#5	6'-0 1/2"	—
e ₂ (E)	6	#5	5'-6 1/2"	—
e ₃ (E)	3	#5	11'-4"	—
e ₄ (E)	6	#5	16'-4"	—
e ₅ (E)	6	#5	9'-2"	—
e ₆ (E)	6	#5	23'-5"	—
e ₇ (E)	6	#5	12'-1"	—
e ₈ (E)	3	#5	10'-0"	—
x ₁ (E)	228	#5	6'-8"	—
Protective Coat		Sq Yd	4,782	
Bridge Deck Grooving		Sq Yd	4,251	
Concrete Superstructure		Cu Yd	1,411.9	
Reinforcement Bars, Epoxy Coated		Pound	289,940	
Bar Splicers		Each	2,637	

**SUPERST. CROSS SECTION
STRUCTURE NO. 016-0724**

TYLIN INTERNATIONAL	DESIGNED - JN,	REVISIONS		SHEET NO. 42	F.A.I. RTE. 55	SECTION 0711.2R & 1011.1BR	COUNTY COOK	TOTAL SHEETS	SHEET NO.
	CHECKED - AMD,	NAME	DATE					741	366
	DRAWN - EMK							CONTRACT NO. 60999	
	CHECKED - AMD,							FED. ROAD DIST. NO. 1 ILLINOIS FED. AID PROJECT	
	DATE - 03/25/2011			239 SHEETS					