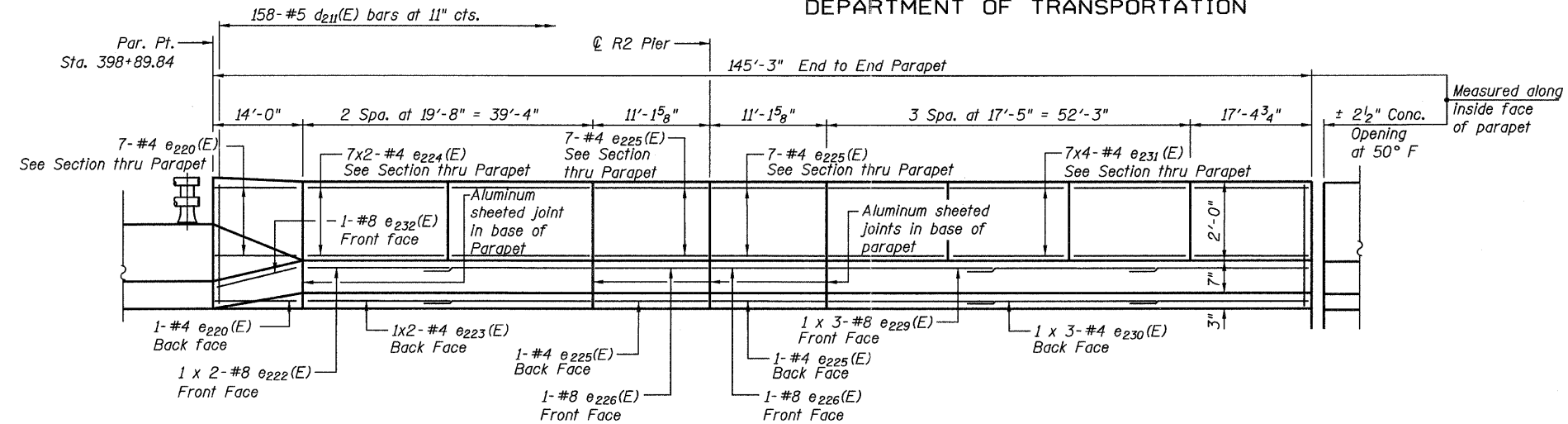
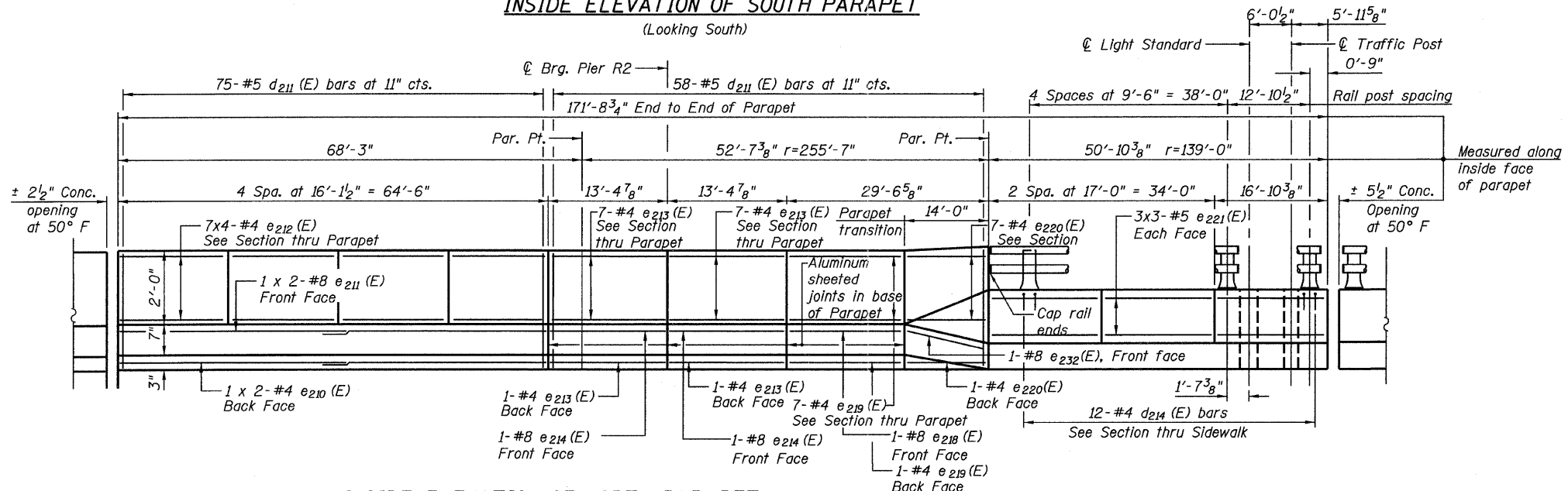


STATE OF ILLINOIS
DEPARTMENT OF TRANSPORTATION



INSIDE ELEVATION OF SOUTH PARAPET
(Looking South)

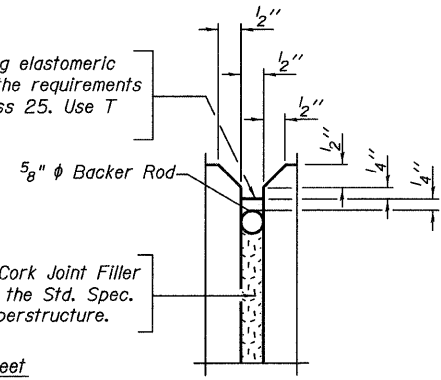
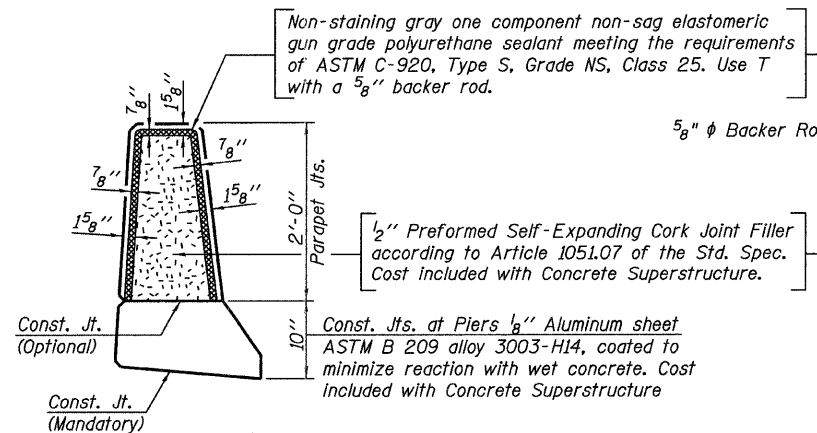
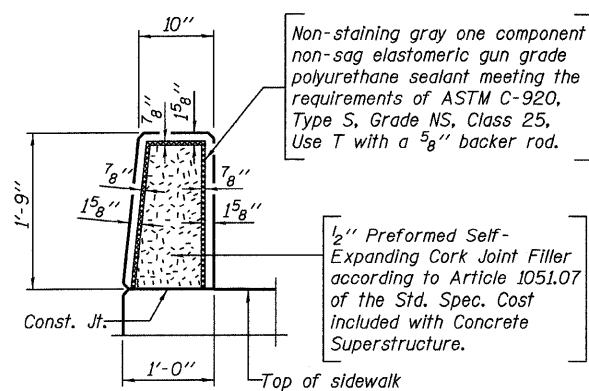


INSIDE ELEVATION OF NORTH PARAPET
(Looking North)

MINIMUM BAR LAP
(Parapet)
#4 bar = 2'-0"
#8 bar = 5'-2"

NOTES:

1. See Sheet 50 for Bill of Material.
2. Bars indicated thus 3 x 2-#5 etc. indicates 3 lines of bars with 2 lengths per line.
3. Work this Sheet with Sheets 48 thru 50.
4. See Sheet 60 for crosswalk transition details.
5. Refer to sheet 61 for parapet details at traffic post and light standard.



PARAPET JOINT DETAILS

SUPERST. PARAPET ELEV.
RAMP 2 FLARE
STRUCTURE NO. 016-0724

TYLIN INTERNATIONAL	DESIGNED - AMD	REVISIONS		SHEET NO. 51	F.A.I. RTE. 55	SECTION 0711.2R & 1011.1BR	COUNTY COOK	TOTAL SHEETS 741	SHEET NO. 375	
	CHECKED - PDF	NAME	DATE							CONTRACT NO. 60999
	DRAWN - PK									
	CHECKED - AMD,									
	DATE - 03/25/2011									
				239 SHEETS		FED. ROAD DIST. NO. 1 ILLINOIS FED. AID PROJECT				

B:41:26 AM
pi:01345\structure\c2 Central Ave. 016-0724-155f2parapet.dwg 5/10/2011