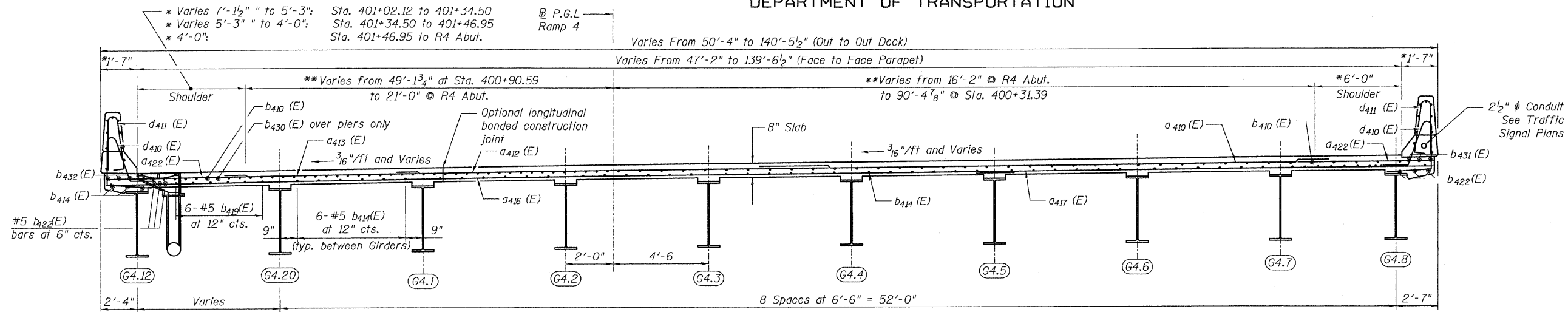


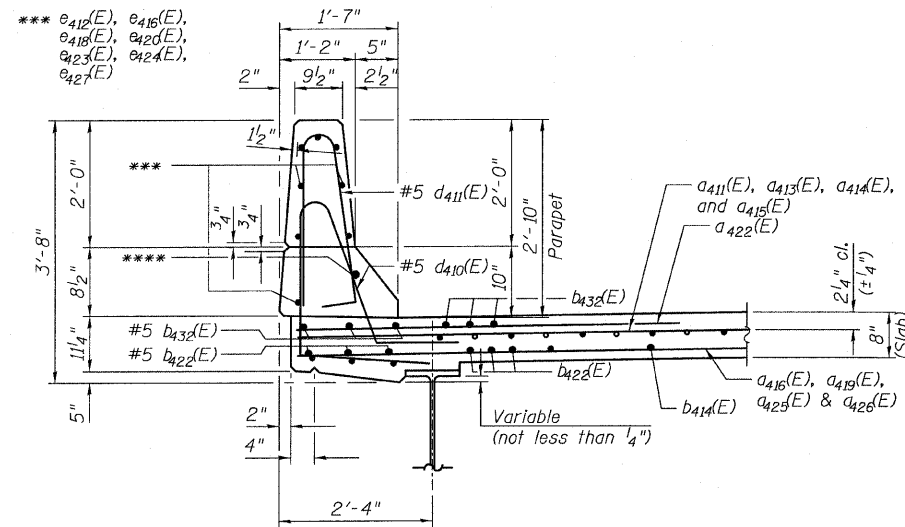
STATE OF ILLINOIS
DEPARTMENT OF TRANSPORTATION



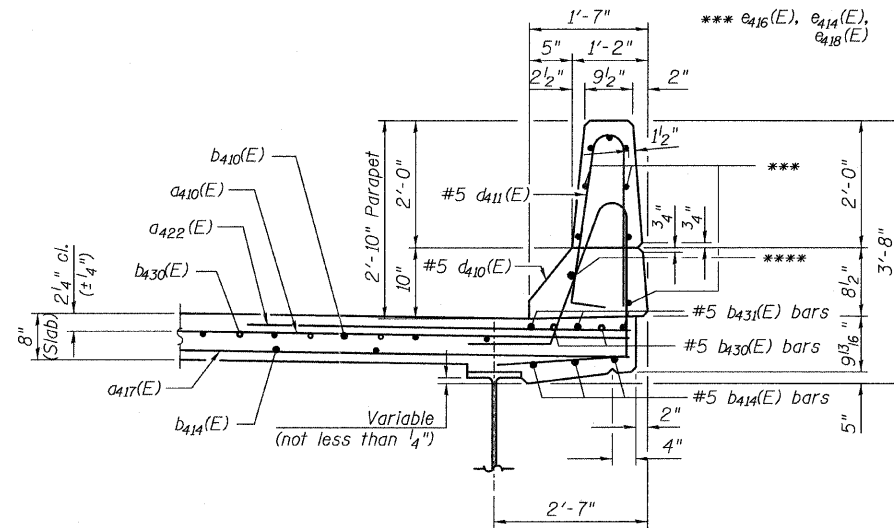
SECTION A-A

(Looking West)

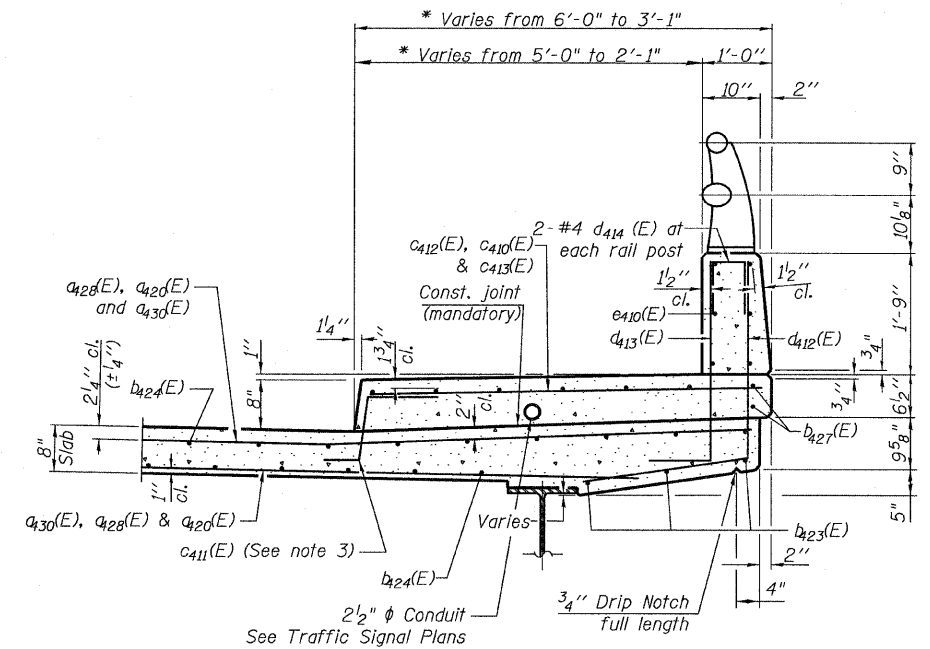
- * Measurement perpendicular to parapet
- ** Measurement perpendicular to alignment



SECTION THRU SOUTH PARAPET



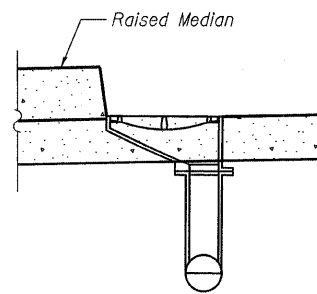
SECTION THRU NORTH PARAPET



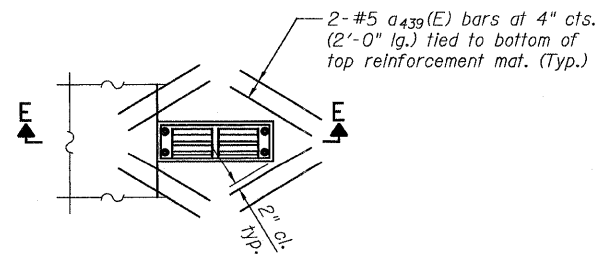
SECTION THRU SIDEWALK

NOTES:

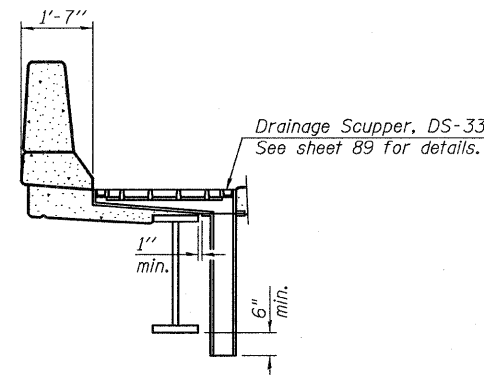
1. For location of Section A-A, see Sheets 56 and 57.
2. Work this sheet with Sheets 56, 57, 58A & 59.
3. In lieu of bottom leg c411(E) bars may be cored and set according to article 509.06 of the Standard Specifications. Cored holes shall be roughened or scored per Manufacturer's Recommendations, maximum depth of cored hole shall not exceed 6".



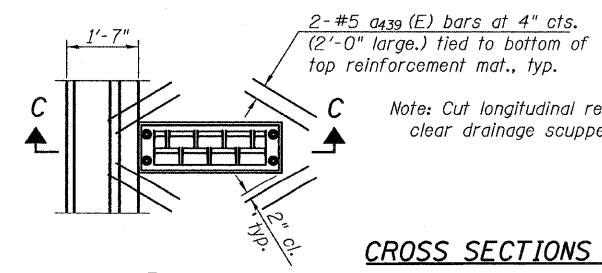
SECTION E-E



PLAN DRAINAGE SCUPPER DS-12



SECTION C-C



PLAN DRAINAGE SCUPPER DS-33

**CROSS SECTIONS & DETAILS
RAMP 4 FLARE
SHEET 1 OF 2
STRUCTURE NO. 016-0724**

TYLIN INTERNATIONAL

DESIGNED -	AMD	REVISIONS	
CHECKED -	PF	NAME	DATE
DRAWN -	MU		
CHECKED -	AMD,		
DATE -	03/25/2011		

SHEET NO. 58	F.A.I. RTE. 55	SECTION 0711.2R & 1011.1BR	COUNTY COOK	TOTAL SHEETS 741	SHEET NO. 382
239 SHEETS			CONTRACT NO. 60999		
FED. ROAD DIST. NO. 1 ILLINOIS FED. AID PROJECT					