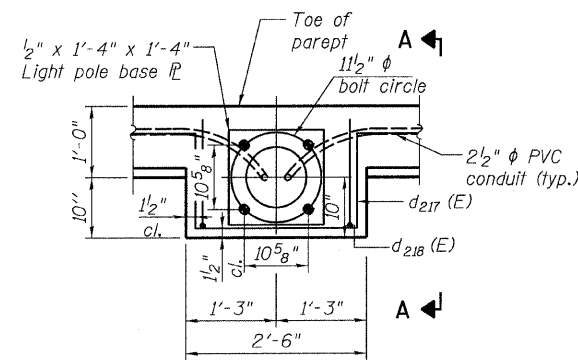
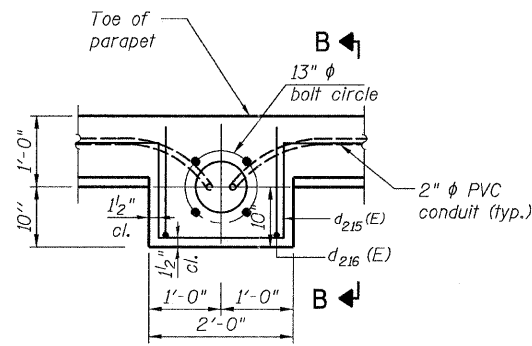


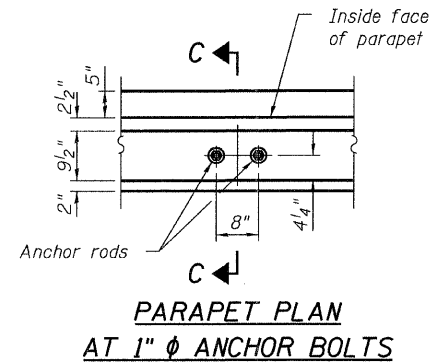
STATE OF ILLINOIS
DEPARTMENT OF TRANSPORTATION



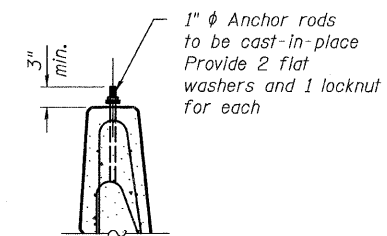
**PLAN LIGHT POLE SUPPORT
(MOUNTED ON PARAPET)**



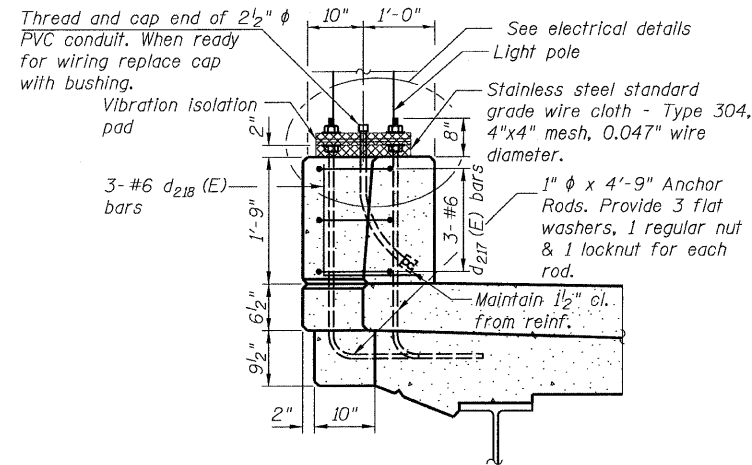
**PLAN TRAFFIC SIGNAL POLE SUPPORT
(MOUNTED ON PARAPET)**



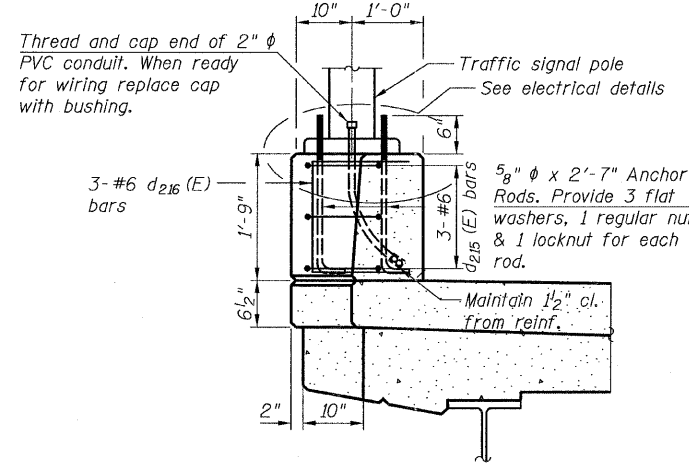
**PARAPET PLAN
AT 1" ϕ ANCHOR BOLTS**



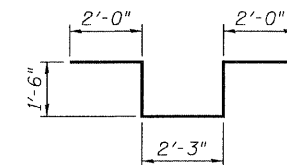
SECTION C-C



SECTION A-A

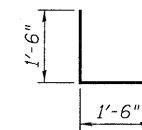


SECTION B-B



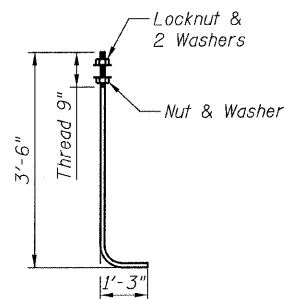
BARS d217 (E) & d317 (E)

Bar	LOCATION
d217 (E)	Ramp 2 Parapet
d317 (E)	Ramp 3 Parapet

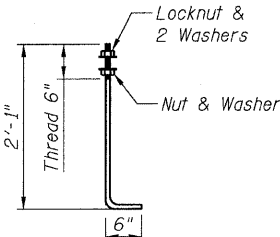


BARS d218 (E) & d318 (E)

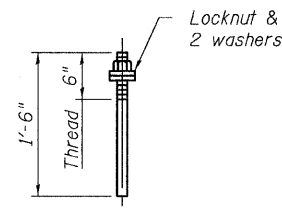
Bar	LOCATION
d218 (E)	Ramp 2 Parapet
d318 (E)	Ramp 3 Parapet



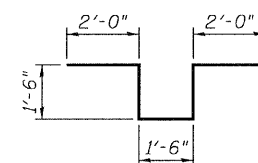
**1" ϕ ANCHOR ROD
(ASTM F 1554 Grade 105)**



**5/8" ϕ ANCHOR ROD
(ASTM F 1554 Grade 105)**

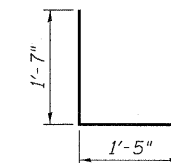


**1" ϕ ANCHOR BOLT
(ASTM F 1554 Grade 105)**



**BARS d115 (E), d215 (E),
d315 (E) & d415 (E)**

Bar	LOCATION
d115 (E)	Ramp 1 Parapet
d215 (E)	Ramp 2 Parapet
d315 (E)	Ramp 3 Parapet
d415 (E)	Ramp 4 Parapet



**BARS d116 (E), d216 (E),
d316 (E) & d416 (E)**

Bar	LOCATION
d116 (E)	Ramp 1 Parapet
d216 (E)	Ramp 2 Parapet
d316 (E)	Ramp 3 Parapet
d416 (E)	Ramp 4 Parapet

NOTES:

- Cost of anchor rod and anchor bolts is included with "Concrete Superstructure."
- Refer to sheets 46A, 50A, 54A, or 58A for Bill of Materials.
- For 1 inch diameter anchor bolt locations see Sheets 47 & 59.

**SUPERSTRUCTURE
PARAPET DETAILS
STRUCTURE NO. 016-0724**

TYLIN INTERNATIONAL

DESIGNED	REVISIONS
JPN	NAME
AMD	DATE
MAU	
AMD	
03/25/2011	

SHEET NO.	F.A.I. RTE.	SECTION	COUNTY	TOTAL SHEETS	SHEET NO.
61	55	0711.2R & 1011.1BR	COOK	741	385
239 SHEETS					
CONTRACT NO. 60999					
FED. ROAD DIST. NO. 1 ILLINOIS FED. AID PROJECT					

5/10/2011

pt:\01345\structure\02_Central_Ave_016-0724\155c2par-det.dgn

4:53:48 PM