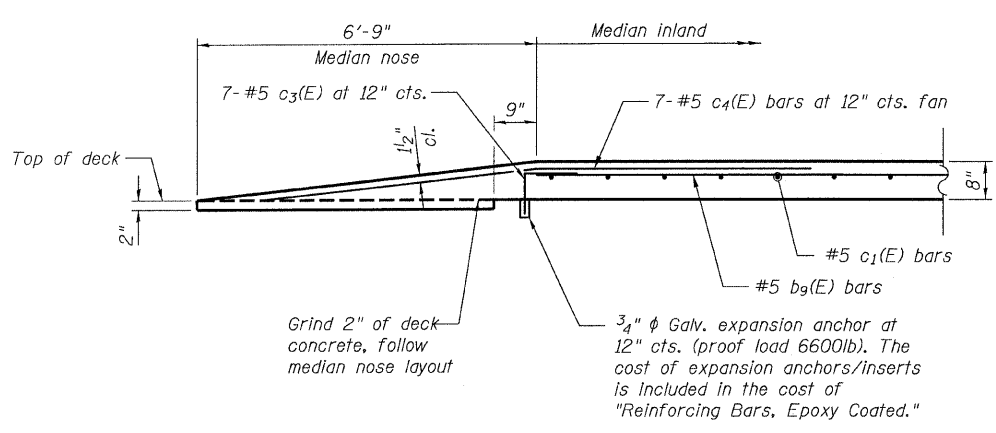
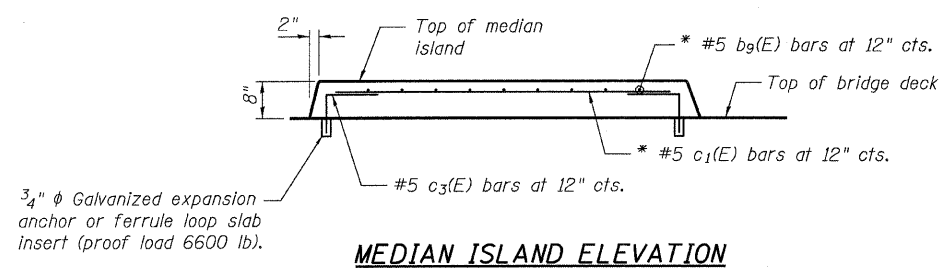
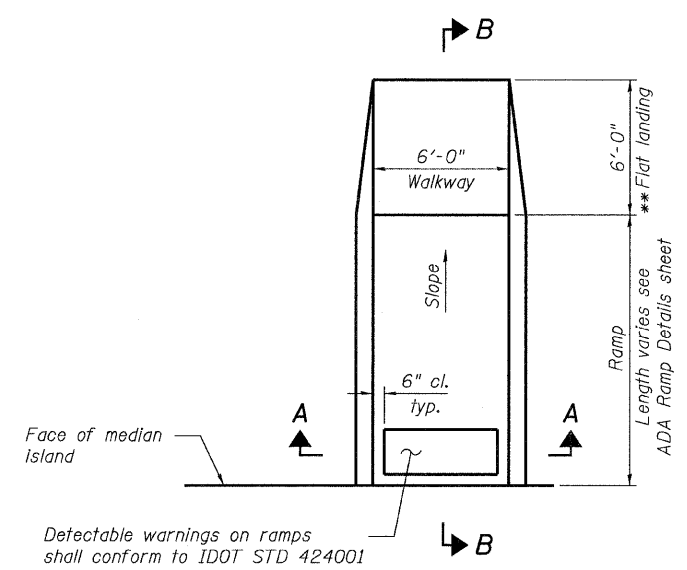
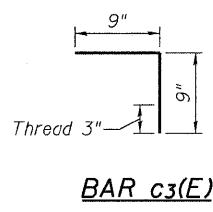
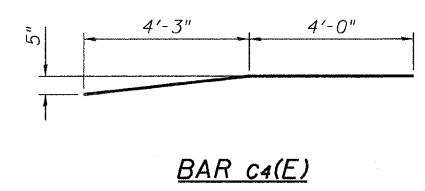
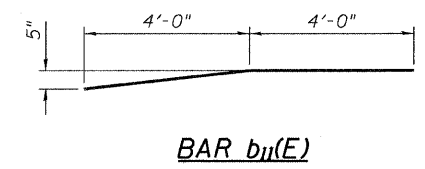
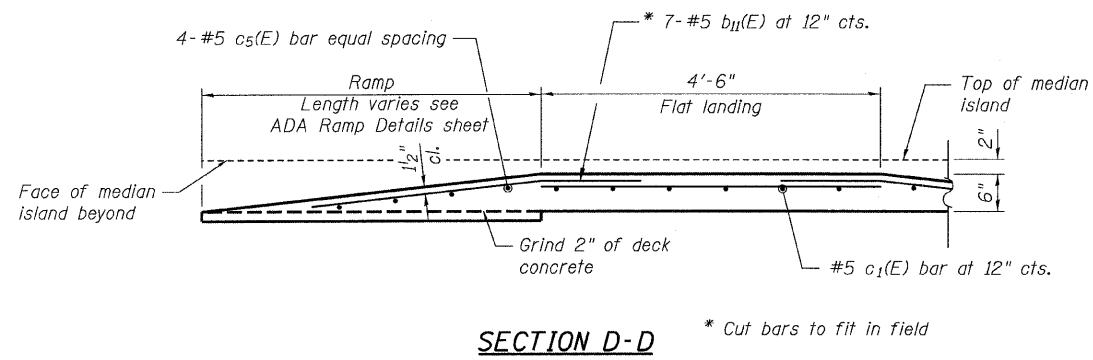
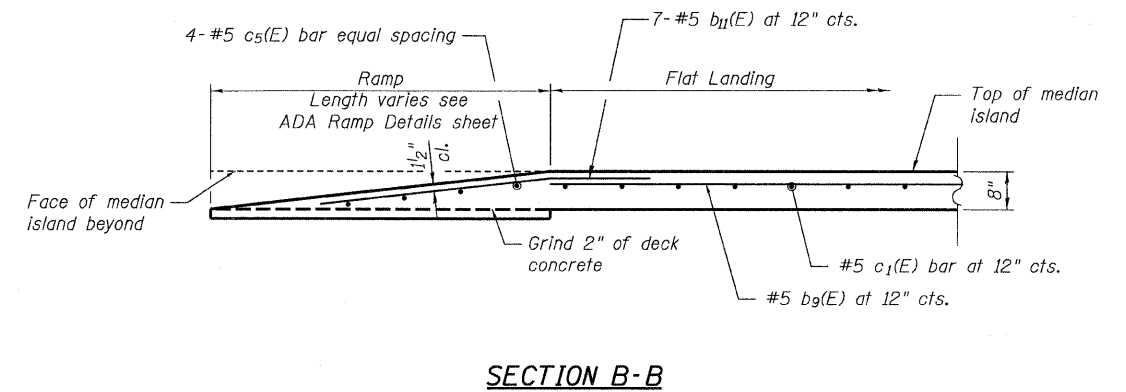
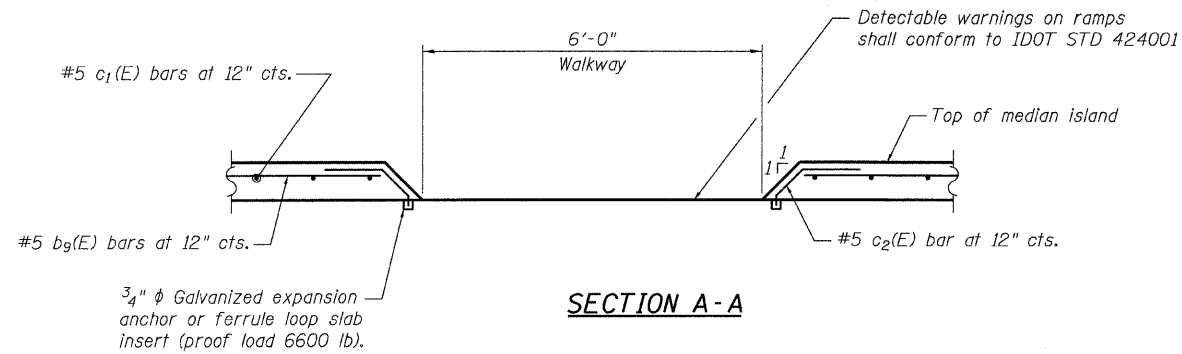


STATE OF ILLINOIS
DEPARTMENT OF TRANSPORTATION



NOTES:

1. Pay items included in the deck superstructure bill of materials, see sheet 42.
2. ADA Ramps shall be constructed to IDOT Standard 424001. See ADA Ramp Details sheet for dimensions.
3. Work this Sheet with Sheets 62 thru 64.

** All cross slopes less than 3/16"/ft.

MEDIAN ISLAND DETAILS
STRUCTURE NO. 016-0724

TYLIN INTERNATIONAL	DESIGNED - JRE	REVISIONS		SHEET NO. 65	F.A.I. RTE.	SECTION	COUNTY	TOTAL SHEETS	SHEET NO.	
	CHECKED - AMD,	NAME	DATE		55	0711.2R & 1011.1BR	COOK	741	389	
	DRAWN - MAU				239 SHEETS		CONTRACT NO. 60999			
	CHECKED - JRE						FED. ROAD DIST. NO. 1 ILLINOIS FED. AID PROJECT			
	DATE - 03/25/2011									

5/10/2011 4:53:52 PM p:\01345\structure\c2_central_ave_016-0724\156c21s1enddet.dgn