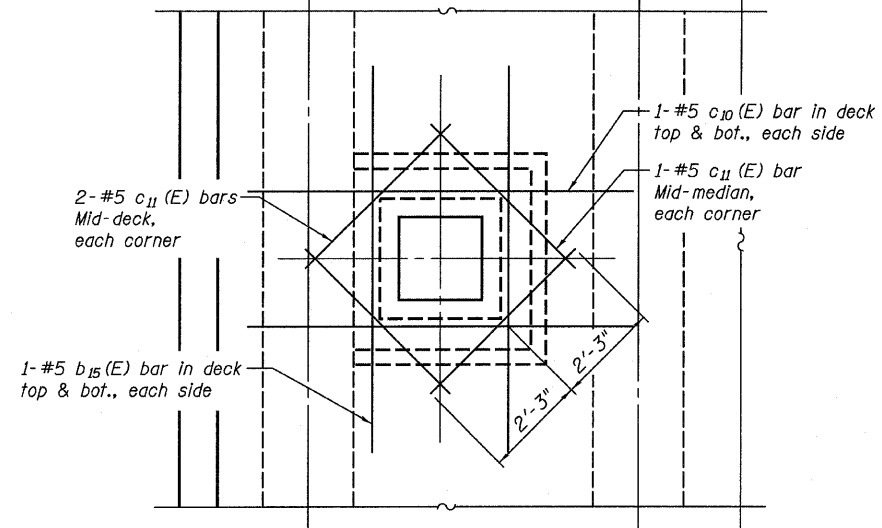
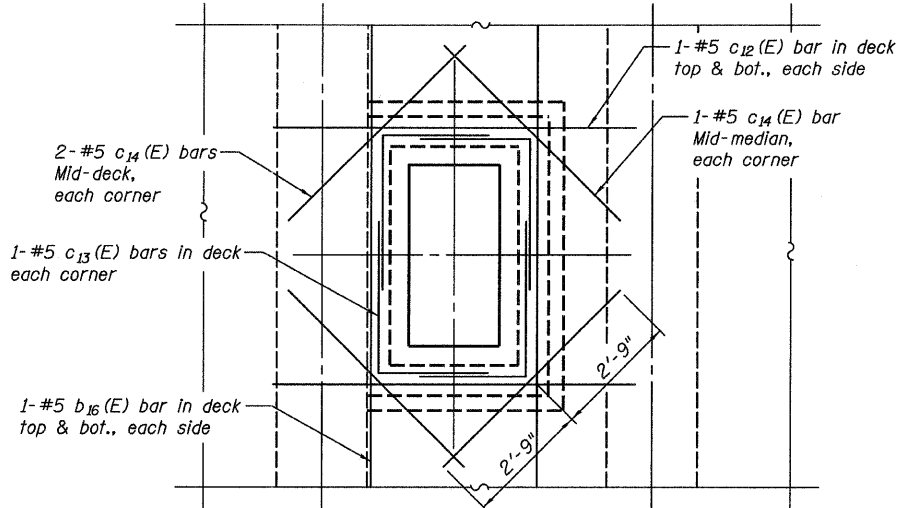


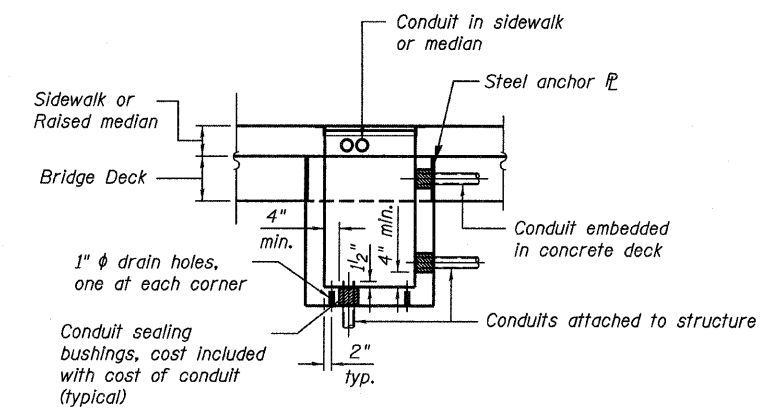
STATE OF ILLINOIS  
DEPARTMENT OF TRANSPORTATION



PLAN

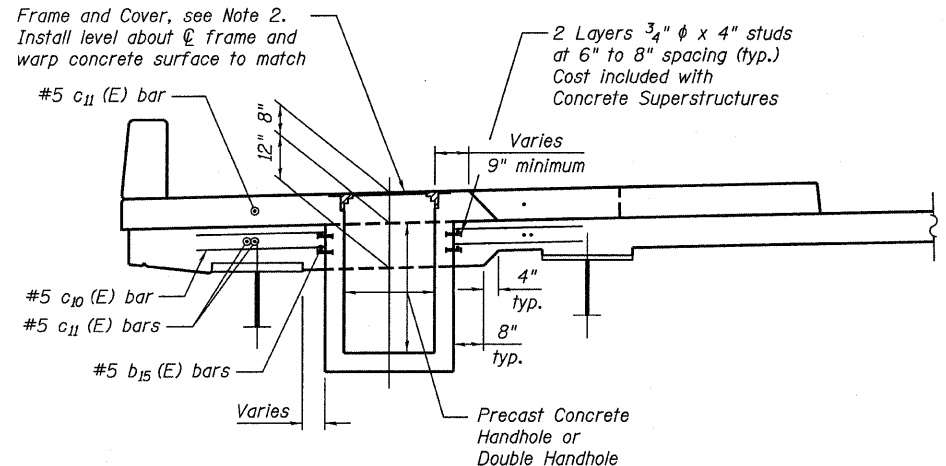


PLAN

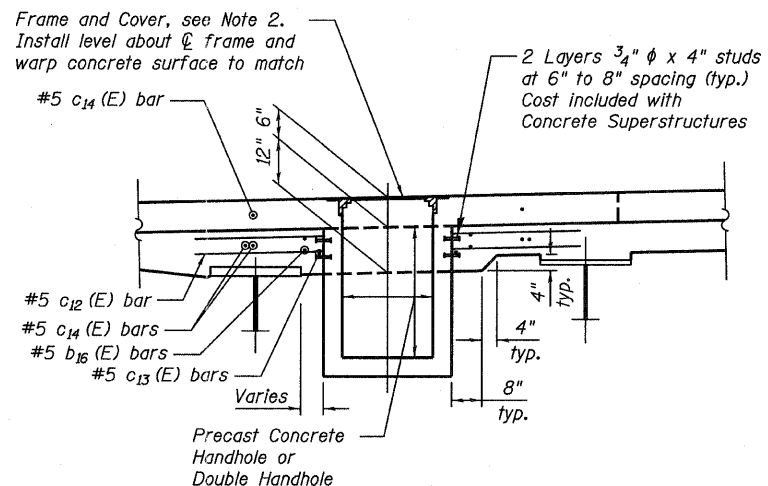


CONDUIT DETAILS @ HANDHOLES

- Holes for conduit penetration must be cast in or cored in shop. Min. clear spacing between conduit holes shall be 5 in.
- Conduit holes shall be compatible with Fabricator's Conduit Sealing System.
- The contractor shall coordinate the sizes & locations of the conduits with the conduit installation plan, and include the sizes & locations of the conduit holes in the shop drawings for fabrication of the handholes. The conduit installation plan shall be submitted for information with the Handhole shop drawings.



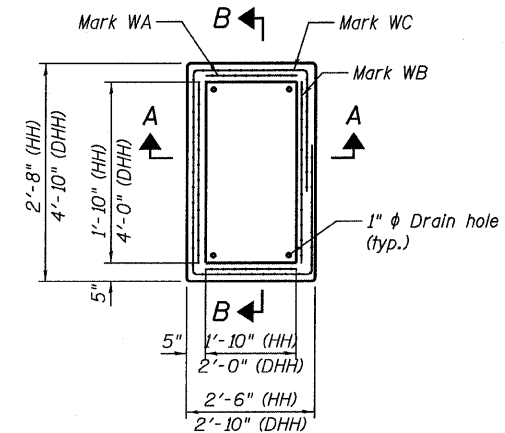
SECTION  
HH INSTALLATION AT SIDEWALK



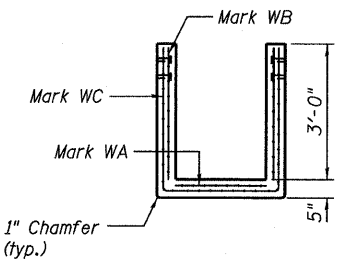
SECTION  
DHH INSTALLATION

NOTES:

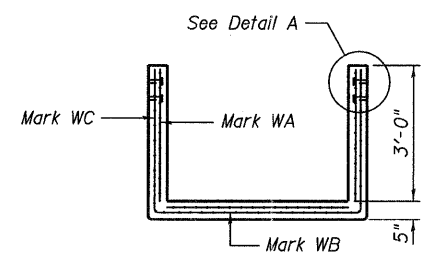
- Frame and cover shall be Neenah R6662-GP for single handhole, and R6663-KH for double handhole; or approved equal. Cost included with Structure-Mounted Handhole & Structure-Mounted Double Handhole.
- For concrete handhole locations, see Sheet 66.
- Cost of handhole concrete, reinforcement, embedded studs and 3/8\"/>



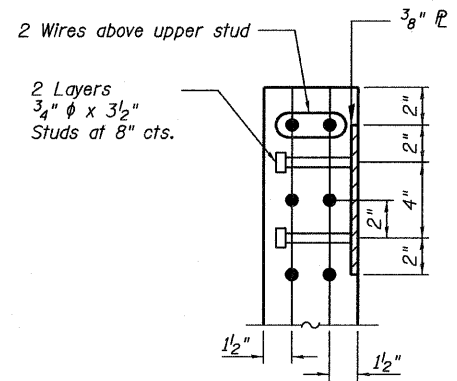
PLAN SECTION



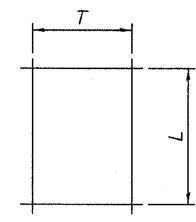
SECTION A-A



SECTION B-B



DETAIL A



WWR

MARK	WWR	HH		DHH	
		L [ft]	T [ft]	L [ft]	T [ft]
WA	*	8'-2"	1'-11"	10'-4"	2'-1"
WB	*	8'-6"	1'-11"	8'-8"	4'-1"
WC	*	10'-0"	3'-4"	14'-8"	3'-4"

\* All WWR shall be epoxy coated 4" x 4" - MW26xMW26. All bend radii 1". Min. lap 6".

Note:  
Work this sheet with  
Traffic Signal and  
Lighting Plans.

STRUCTURE-MOUNTED  
HANDHOLE DETAILS  
STRUCTURE NO. 016-0724

TYLIN INTERNATIONAL

DESIGNED -	REVISIONS
CHECKED - AMD,	NAME DATE
DRAWN -	
CHECKED - AMD,	
DATE - 03/25/2011	

SHEET NO. 69	F.A.I R.T.E.	SECTION	COUNTY	TOTAL SHEETS	SHEET NO.
239 SHEETS	55	0711.2R & 1011.1BR	COOK	741	393
			CONTRACT NO. 60999		
FED. ROAD DIST. NO. 1 ILLINOIS FED. AID PROJECT					

4/28/2011 11:51:44 AM p:\01345\structure\C2\_Central\_Ave\_016-0724\155hhdet.dwg