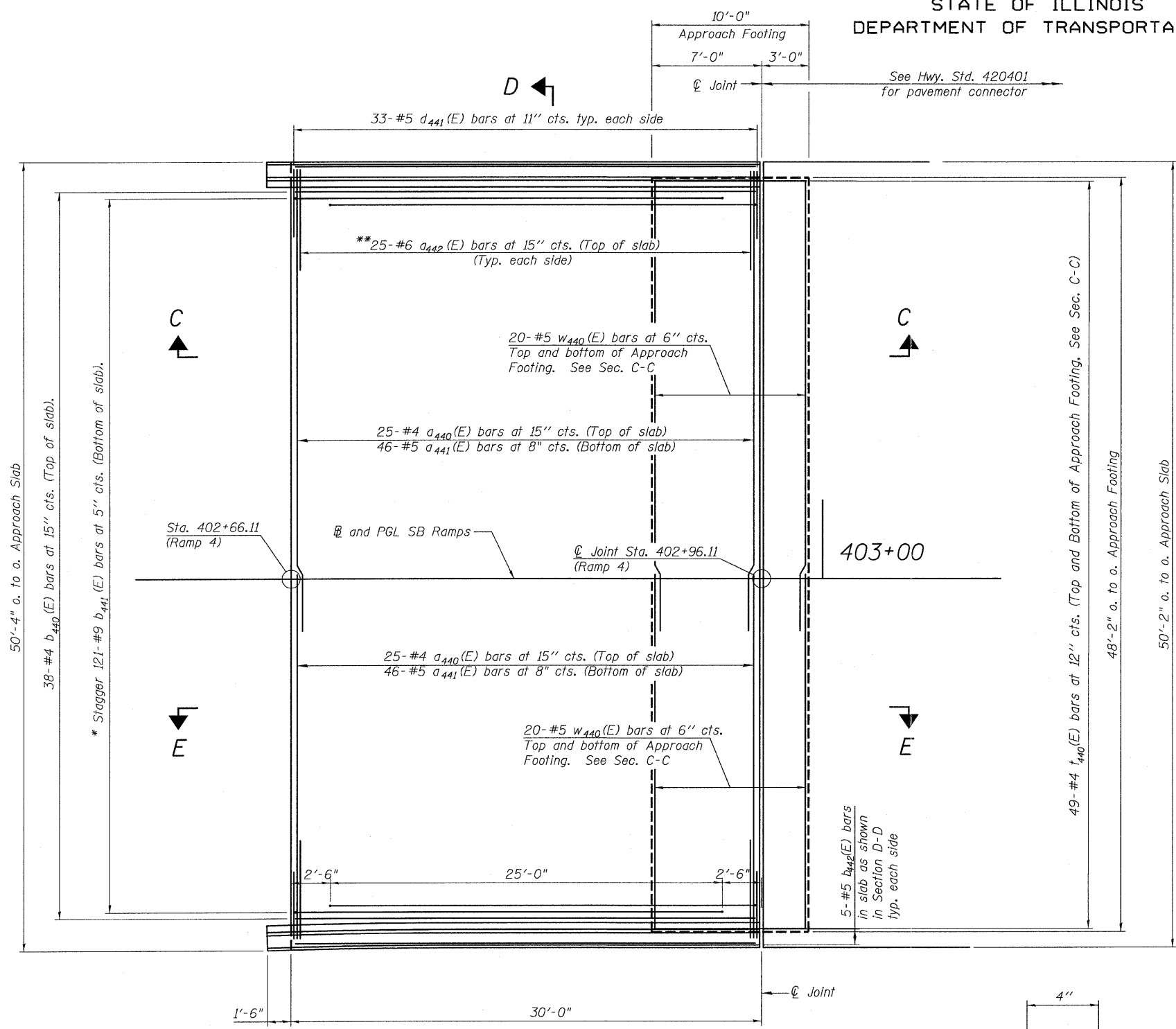


STATE OF ILLINOIS
DEPARTMENT OF TRANSPORTATION



Notes:
See sheet 77 for Sections C-C & D-D and View E-E.
a₄₄₀(E) and a₄₄₁(E) bar spacings measured along ϕ Rdwy.

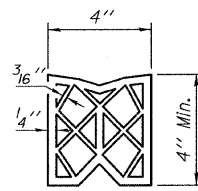


MIN LAP

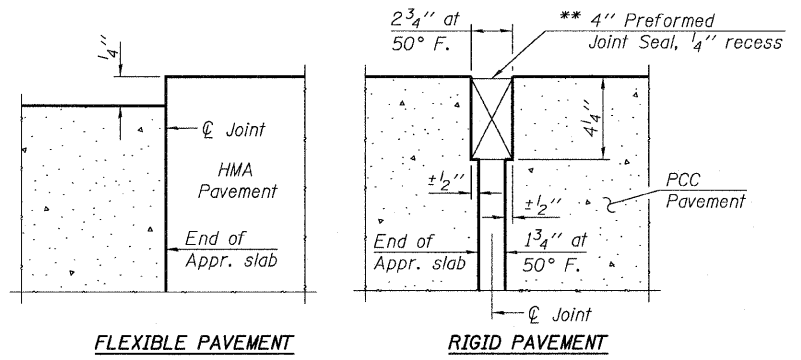
Bar	Lap
#4	2'-11"
#5	3'-8"

* Tilt #9 b₄₄₁(E) bars as required to maintain clearance.
** Space between a₄₄₀(E) bars, typ. each parapet.

PLAN



PREFORMED
JOINT SEAL



DETAIL A

(Sheet 1 of 2)

RAMP 4 APPROACH SLAB
STRUCTURE NO. 016-0724

TYLIN INTERNATIONAL

DESIGNED - CBS	REVISIONS	
CHECKED - AMD, MMB	NAME	DATE
DRAWN - CBS		
CHECKED - AMD, MMB		
DATE - 03/25/2011		

SHEET NO. 76	F.A.I. RTE.	SECTION	COUNTY	TOTAL SHEETS	SHEET NO.
	55	0711.2R & 1011.1BR	COOK	741	400
239 SHEETS	CONTRACT NO. 60999				
FED. ROAD DIST. NO. 1 ILLINOIS FED. AID PROJECT					

p:\01345\structure\2 Central Ave. 016-0724\155-4appr-01.dgn 11:51:53 AM 4/28/2011