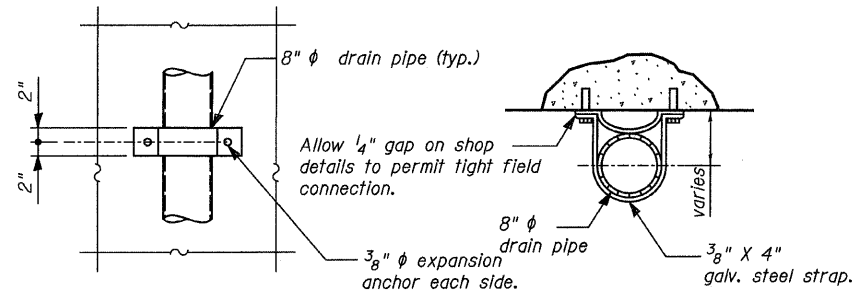
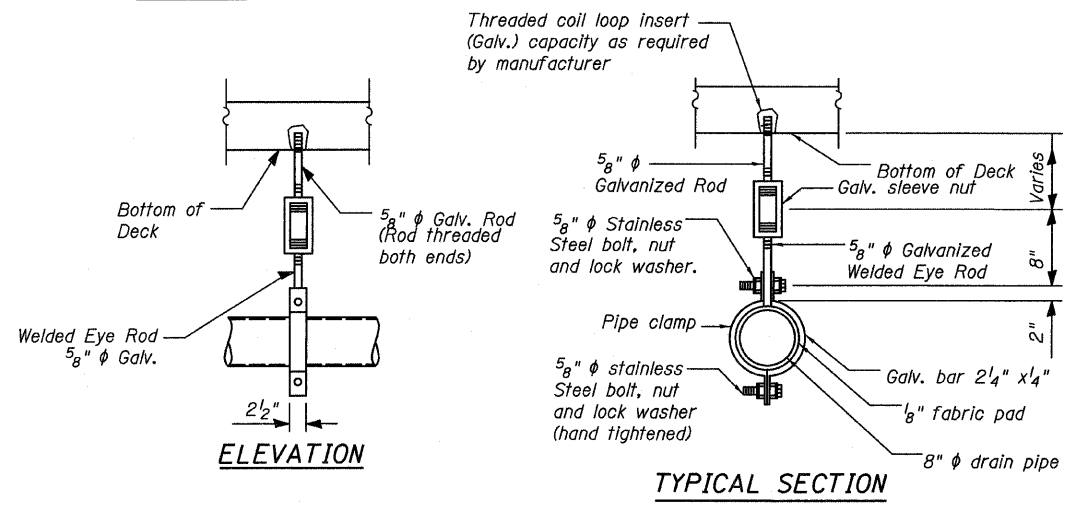


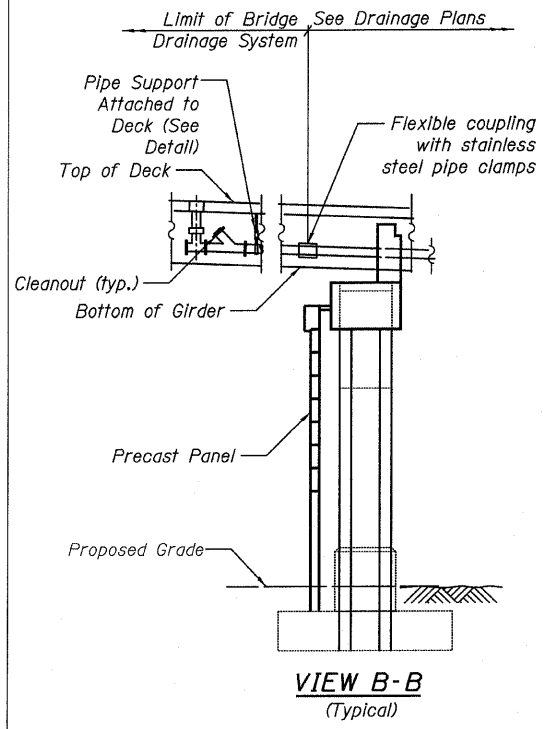
STATE OF ILLINOIS
DEPARTMENT OF TRANSPORTATION



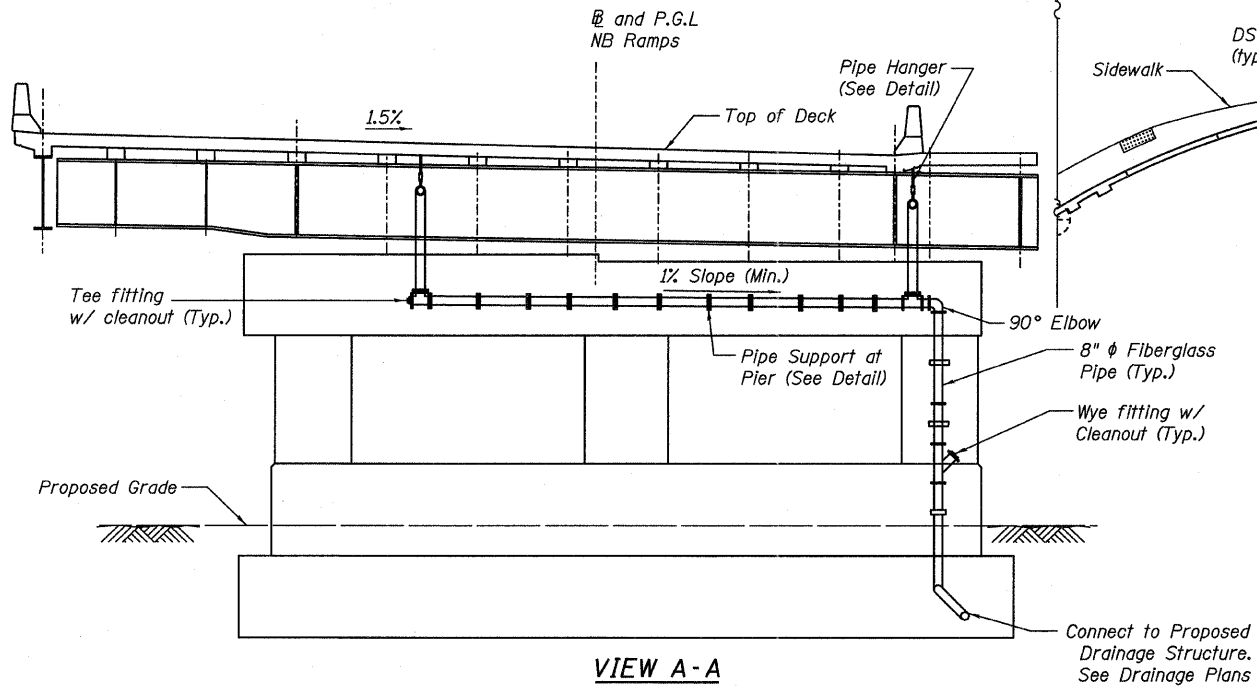
ELEVATION
PLAN
PIPE SUPPORT DETAIL AT PIER



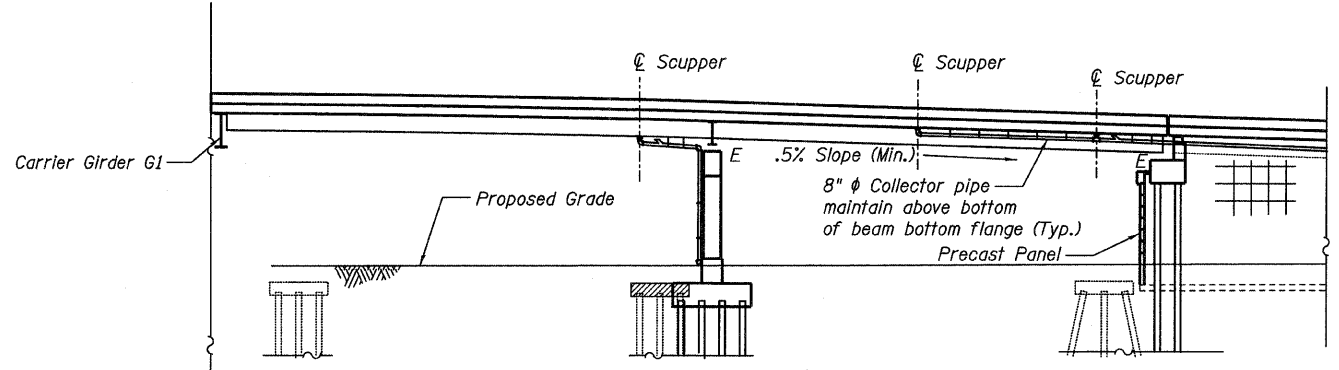
TYPICAL SECTION
PIPE HANGER DETAIL



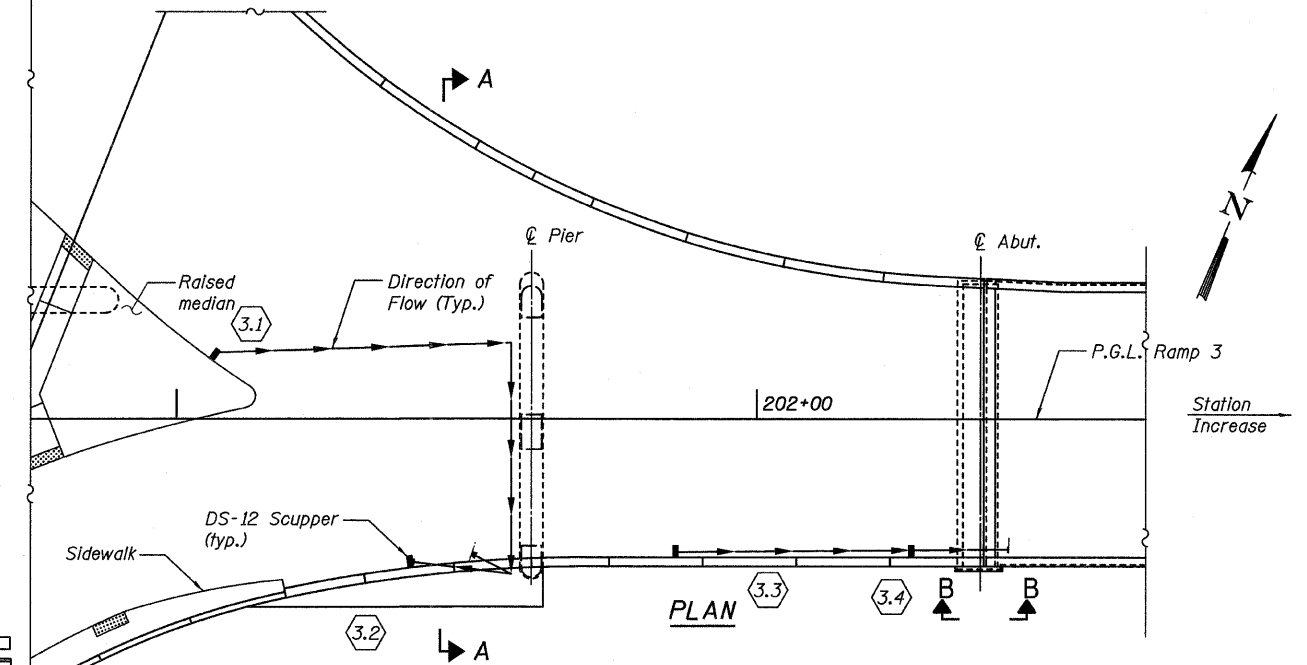
VIEW B-B (Typical)



VIEW A-A



ELEVATION



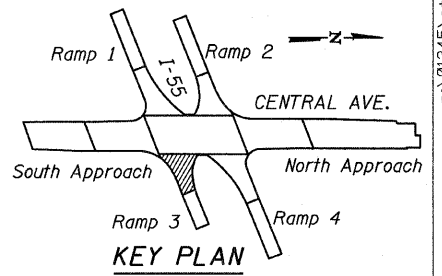
PLAN

SCUPPER LOCATION TABLE*

Scupper No.	Type	Station	Offset
3.1	DS-12	201+06.00	10.30 (L)
3.2	DS-12	201+40.00	25.84 (R)
3.3	DS-12	201+86.00	24.00 (R)
3.4	DS-12	202+26.00	24.00 (R)

*Stations & offsets measured from NB Ramps Baseline to centerline of scupper face of barrier or curb

- NOTES:**
1. Bridge Drainage System limits to coupling at Abut. and catch basin or inlet at pier.
 2. See sheet 83 for additional notes.



KEY PLAN
DRAINAGE SYSTEM RAMP 3
S.N. 016-0724

TYLIN INTERNATIONAL

DESIGNED	JMA	REVISIONS	
CHECKED	AMD,	NAME	DATE
DRAWN	JMA		
CHECKED	AMD,		
DATE	03/25/2011		

SHEET NO. 86	F.A.I. RTE.	SECTION	COUNTY	TOTAL SHEETS	SHEET NO.
	239 SHEETS	55	0711.2R & 1011.1BR	COOK	741 410
CONTRACT NO. 60999					
FED. ROAD DIST. NO. 1 ILLINOIS FED. AID PROJECT					

4/28/2011 12:02:48 PM p:\01345\structure\C2 Central Ave. 016-0724\155r-3-drain.dgn