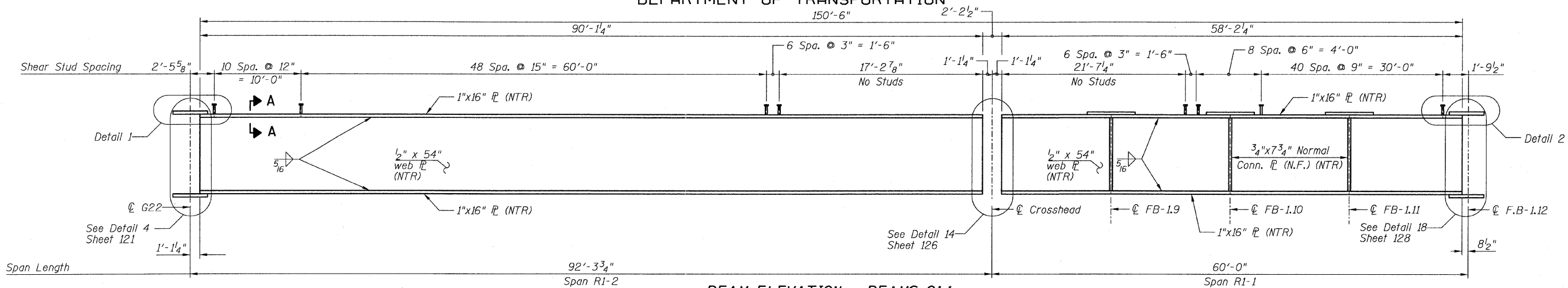
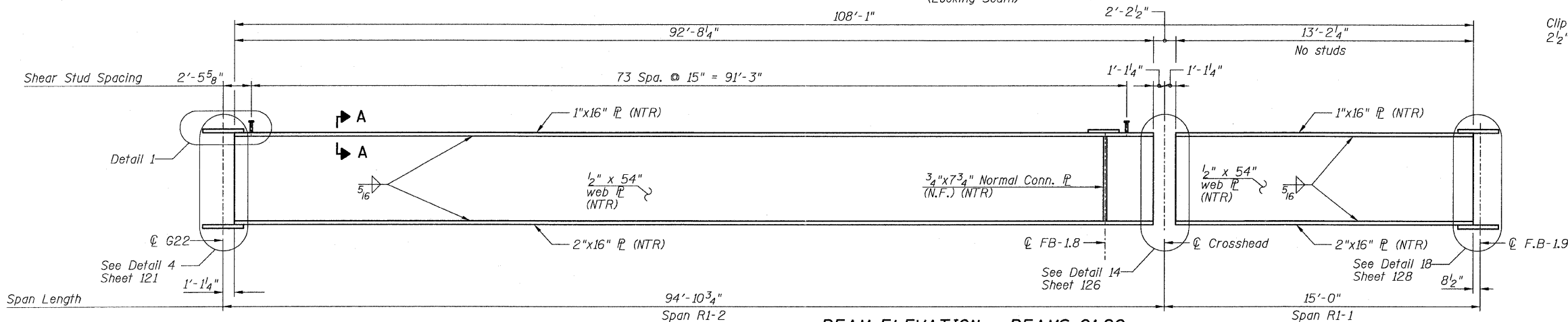


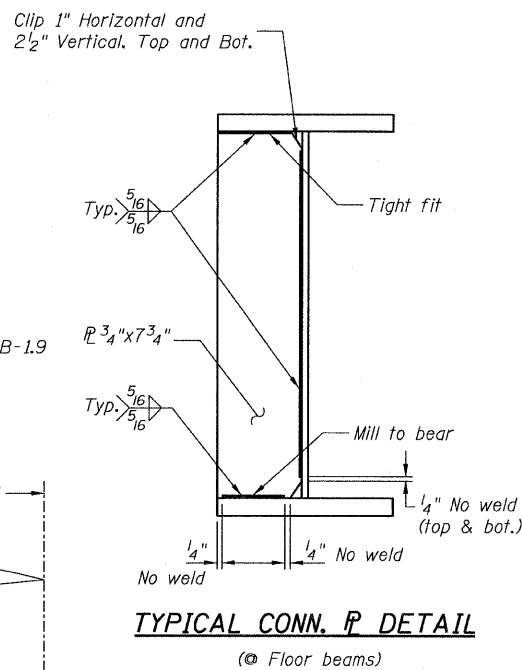
STATE OF ILLINOIS  
DEPARTMENT OF TRANSPORTATION



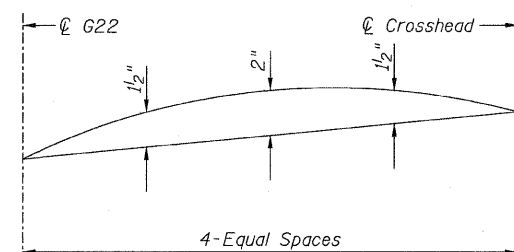
**BEAM ELEVATION - BEAMS G1.1**  
(Looking South)



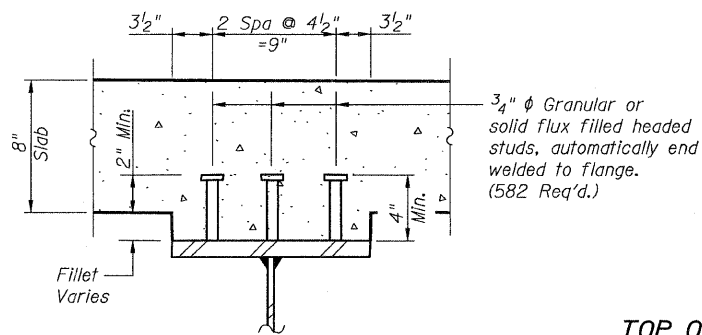
**BEAM ELEVATION - BEAMS G1.20**  
(Looking South)



**TYPICAL CONN. P DETAIL**  
(Floor beams)



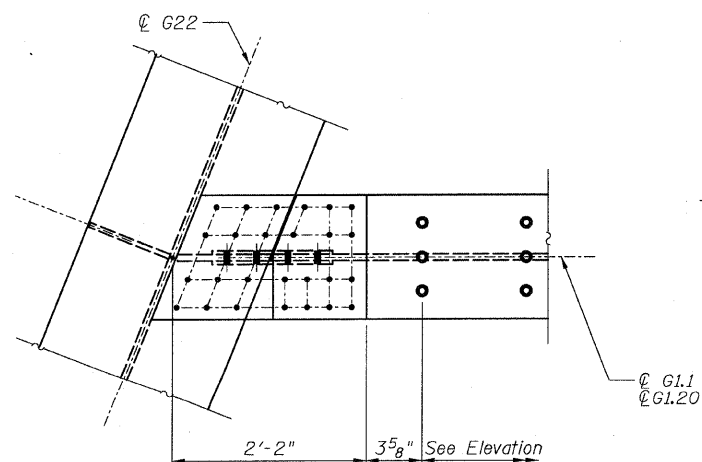
**CAMBER DIAGRAM**  
(G1.20)



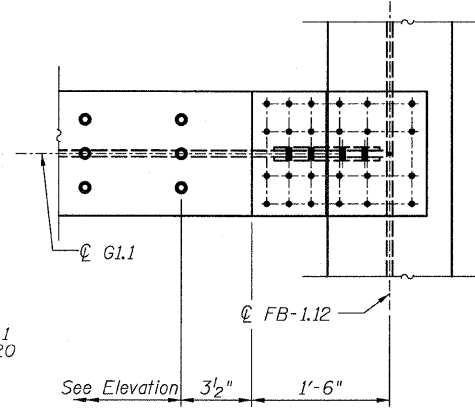
**SECTION A-A**

**TOP OF WEB ELEVATIONS**  
(For Fabrication Only)

Location	Girder	G1.1	G1.20
Centerline G22		626.17	626.27
Centerline Crosshead		624.40	624.50
Centerline F.B.			



**DETAIL 1**



**DETAIL 2**

**NOTES:**

- All steel shown on this sheet shall conform to the requirements of AASHTO M270 GR 50.
- Load carrying components designated "NTR" shall conform to the supplemental requirements for Notch Toughness, Zone 2.
- N.F. denotes Near Face.
- Girders shall not be cambered for spans RI-1.

**GIRDER ELEVATIONS 1**  
**RAMP 1 FLARE**  
**STRUCTURE NO. 016-0724**

<b>TYLIN INTERNATIONAL</b>	DESIGNED - EKH, JMA, PK	REVISIONS	
	CHECKED - AMD,	NAME	DATE
	DRAWN - EKH, JMA, PK		
	CHECKED - AMD,		
	DATE - 03/25/2011		

SHEET NO. 112	F.A.I. RTE.	SECTION	COUNTY	TOTAL SHEETS	SHEET NO.
	55	0711.2R & 1011.1BR	COOK	741	436
239 SHEETS	CONTRACT NO. 60999				
FED. ROAD DIST. NO. 1   ILLINOIS   FED. AID PROJECT					