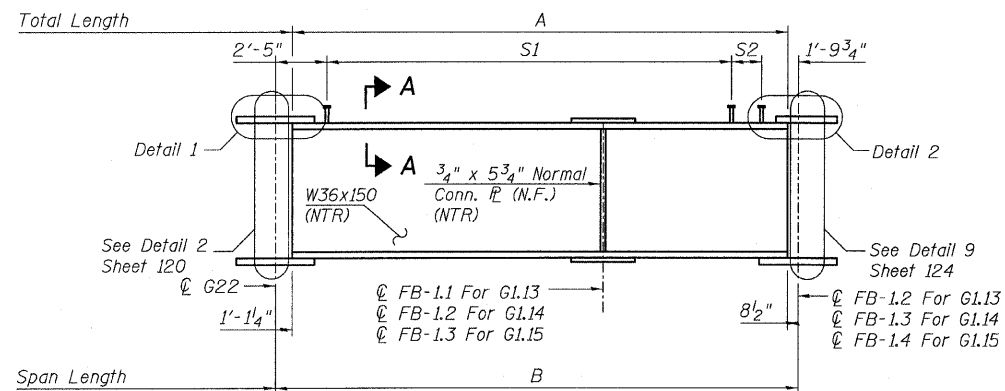


STATE OF ILLINOIS  
DEPARTMENT OF TRANSPORTATION

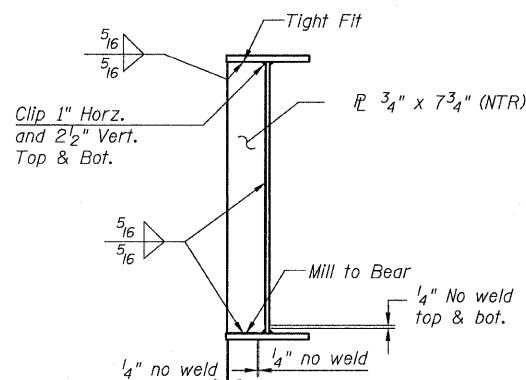


**GIRDER ELEVATION - G1.13 THRU G1.15**  
(Looking South)

**GIRDER DIMENSIONS**

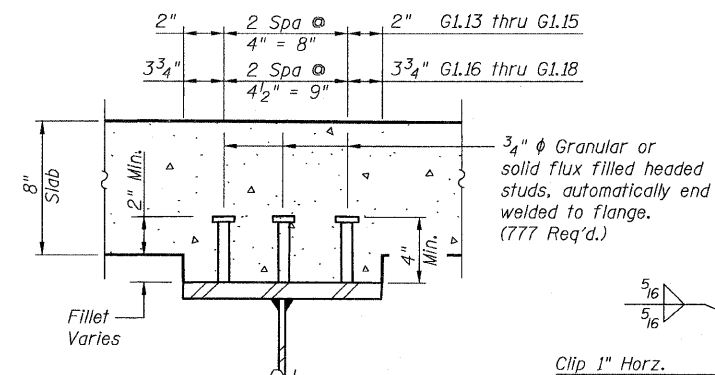
(Girders G1.13 thru G1.15)

	A	B	S1	S2
G1.13	12'-1 1/8"	13'-11 1/8"	4 Spa. @ 24" = 8'-0"	1'-8 1/8"
G1.14	21'-6 3/4"	23'-4 1/2"	9 Spa. @ 24" = 18'-0"	1'-1 3/4"
G1.15	33'-11 3/4"	35'-9 1/2"	16 Spa. @ 24" = 32'-0"	1'-11 3/4"

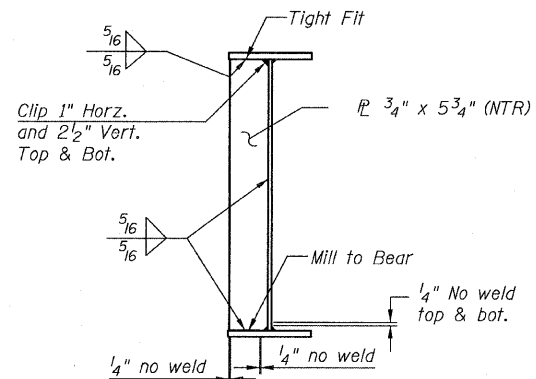


**CONN. P DETAIL G1.16 THRU G1.18**

(Floor beams & Cross frames)

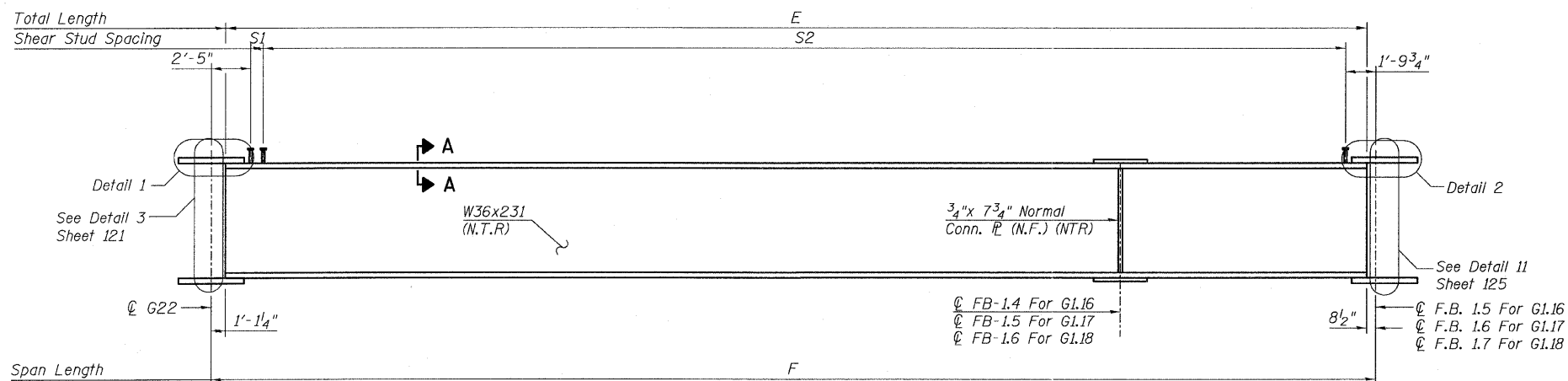


**SECTION A-A**



**CONN. P DETAIL G1.13 THRU G1.15**

(Floor beams)



**GIRDER ELEVATION - G1.16 THRU G1.18**

(Looking South)

**SHEAR STUD SPACINGS**

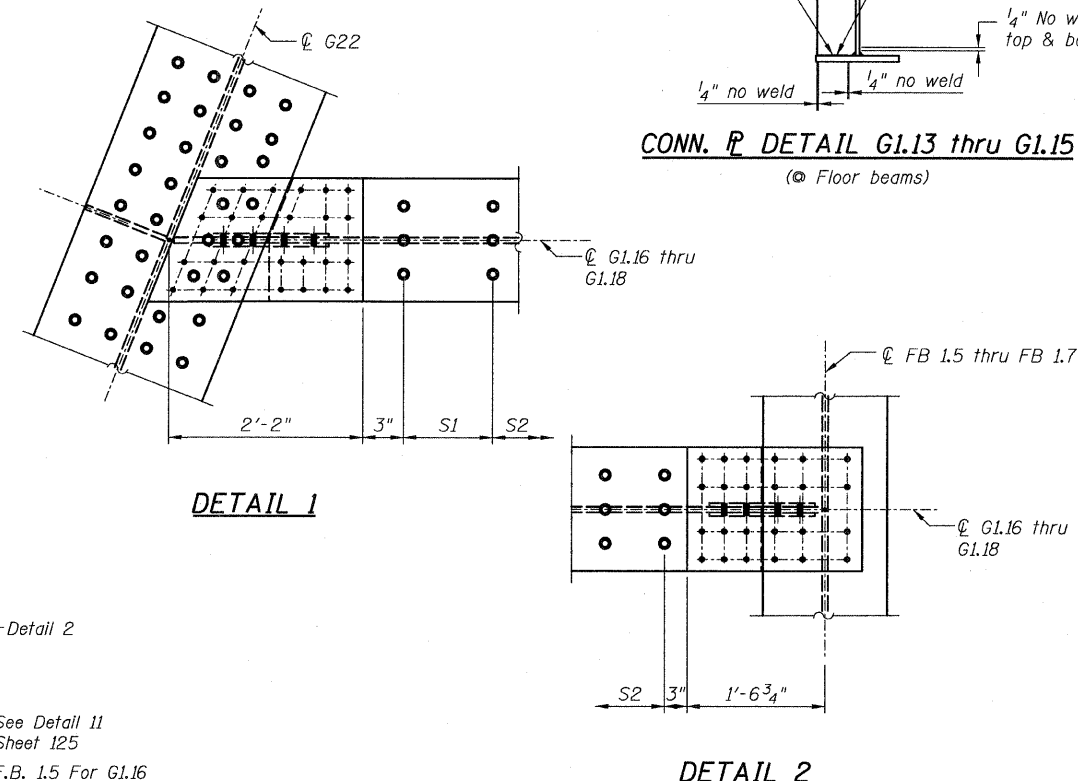
(Girders G1.16 thru G1.18)

	S1	S2
G1.16	5 7/8"	58 Spa. @ 9" = 43'-6"
G1.17	1 1/8"	75 Spa. @ 9" = 56'-3"
G1.18	6 7/8"	91 Spa. @ 9" = 68'-3"

**GIRDER DIMENSIONS**

(Girders G1.16 thru G1.18)

	E	F
G1.16	46'-4 1/8"	48'-2 5/8"
G1.17	58'-9 1/8"	60'-7 5/8"
G1.18	71'-2 1/8"	73'-0 5/8"



**NOTES:**

- All steel shown on this sheet shall conform to the requirements of AASHTO M270 GR 50.
- Load carrying components designated "NTR" shall conform to the supplemental requirements for Notch Toughness, Zone 2.
- N.F. denotes Near Face.

**GIRDER ELEVATIONS 5  
RAMP 1 FLARE  
STRUCTURE NO. 016-0724**

<b>TYLIN INTERNATIONAL</b>	DESIGNED - EKH, JMA, PK	REVISIONS		SHEET NO. 116	F.A.I. RTE.	SECTION	COUNTY	TOTAL SHEETS	SHEET NO.	
	CHECKED - AMD,	NAME	DATE		239 SHEETS	55	0711.2R & 1011.1BR	COOK	741	440
	DRAWN - EKH, JMA, PK				CONTRACT NO. 60999					
	CHECKED - AMD,				FED. ROAD DIST. NO. 1 ILLINOIS FED. AID PROJECT					
	DATE - 03/25/2011									