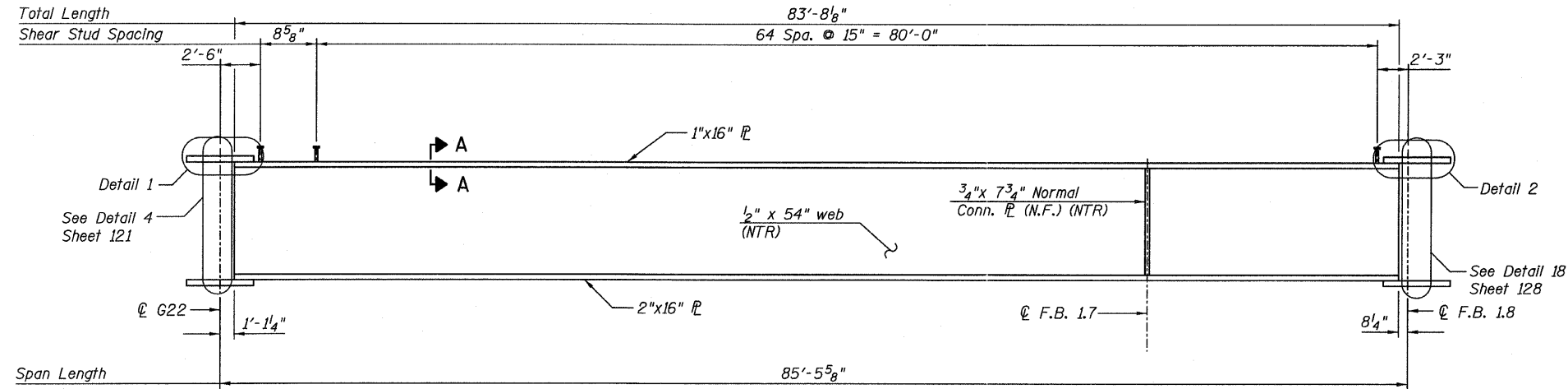
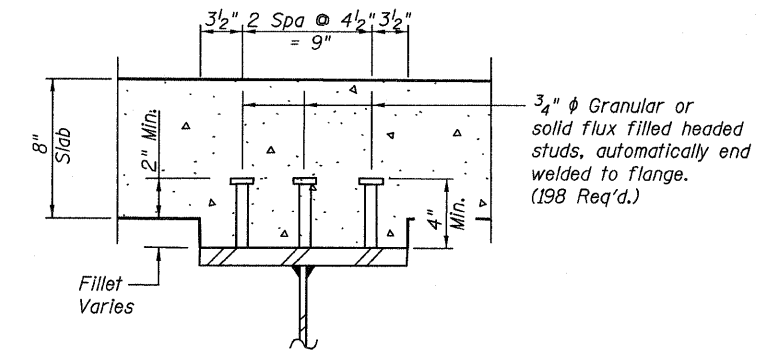


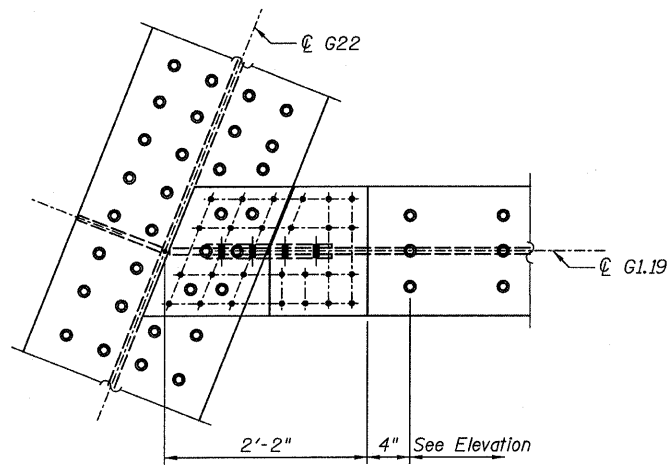
STATE OF ILLINOIS
DEPARTMENT OF TRANSPORTATION



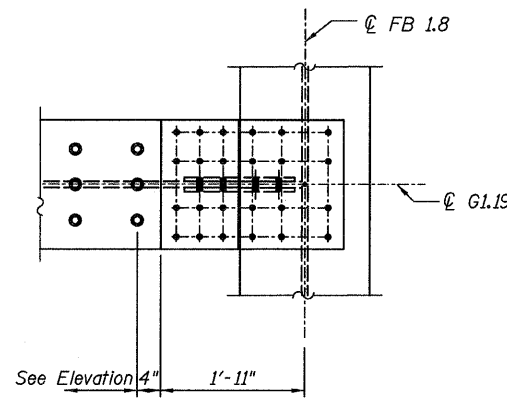
GIRDER ELEVATION - G1.19
(Looking South)



SECTION A-A



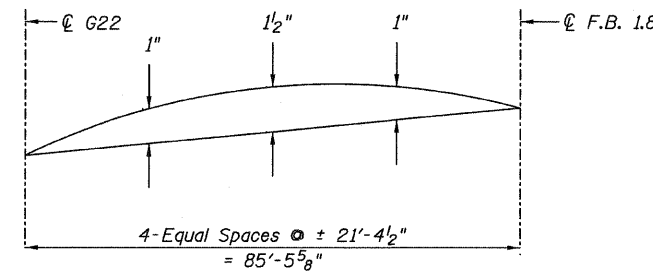
DETAIL 1



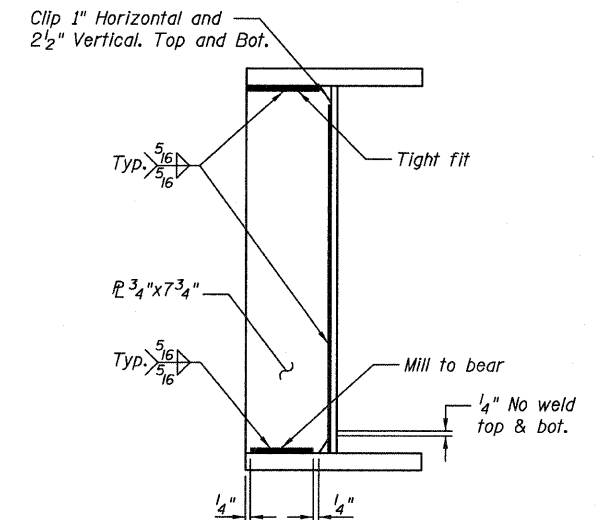
DETAIL 2

TOP OF WEB ELEVATIONS
(For Fabrication Only)

Location	Elevation
Centerline G22	626.35
Centerline F.B. 1.8	624.86



CAMBER DIAGRAMS



TYPICAL CONN. P DETAIL
(@ Floor beams)

NOTES:

- All steel shown on this sheet shall conform to the requirements of AASHTO M270 GR 50.
- Load carrying components designated "NTR" shall conform to the supplemental requirements for Notch Toughness, Zone 2.
- N.F. denotes Near Face.

GIRDER ELEVATIONS 6
RAMP 1 FLARE
STRUCTURE NO. 016-0724

TYLIN INTERNATIONAL	DESIGNED - EKH, JMA, PK	REVISIONS		SHEET NO. 117	F.A.I. RTE.	SECTION	COUNTY	TOTAL SHEETS	SHEET NO.	
	CHECKED - AMD,	NAME	DATE		239 SHEETS	55	0711.2R & 1011.1BR	COOK	741	441
	DRAWN - EKH, JMA, PK				CONTRACT NO. 60999					
	CHECKED - AMD,				FED. ROAD DIST. NO. 1 ILLINOIS FED. AID PROJECT					
	DATE - 03/25/2011									