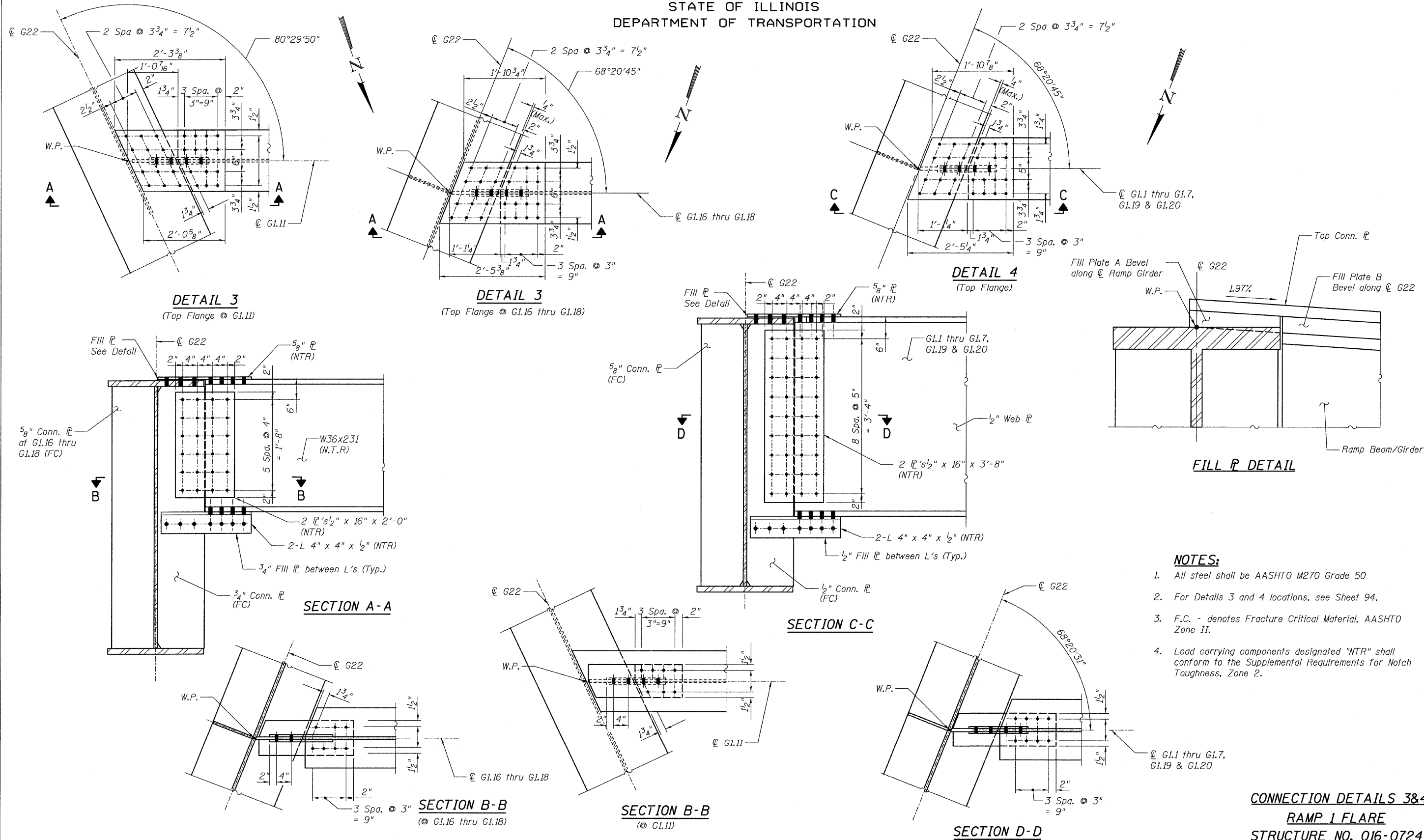


STATE OF ILLINOIS  
DEPARTMENT OF TRANSPORTATION



- NOTES:**
1. All steel shall be AASHTO M270 Grade 50
  2. For Details 3 and 4 locations, see Sheet 94.
  3. F.C. - denotes Fracture Critical Material, AASHTO Zone II.
  4. Load carrying components designated "NTR" shall conform to the Supplemental Requirements for Notch Toughness, Zone 2.

**CONNECTION DETAILS 3&4**  
**RAMP 1 FLARE**  
**STRUCTURE NO. 016-0724**

**TYLIN INTERNATIONAL**

DESIGNED - EKH, JMA		REVISIONS	
CHECKED - AMD,		NAME	DATE
DRAWN - EKH, JMA			
CHECKED - AMD,			
DATE - 03/25/2011			

SHEET NO. 121	F.A.I. RTE. 55	SECTION 0711.2R & 1011.1BR	COUNTY COOK	TOTAL SHEETS 741	SHEET NO. 445
239 SHEETS			CONTRACT NO. 60999		
FED. ROAD DIST. NO. 1 ILLINOIS FED. AID PROJECT					

9:09:02 AM  
 p:\01345\structure\016-0724\5561framedt12.dwg  
 5/9/2011