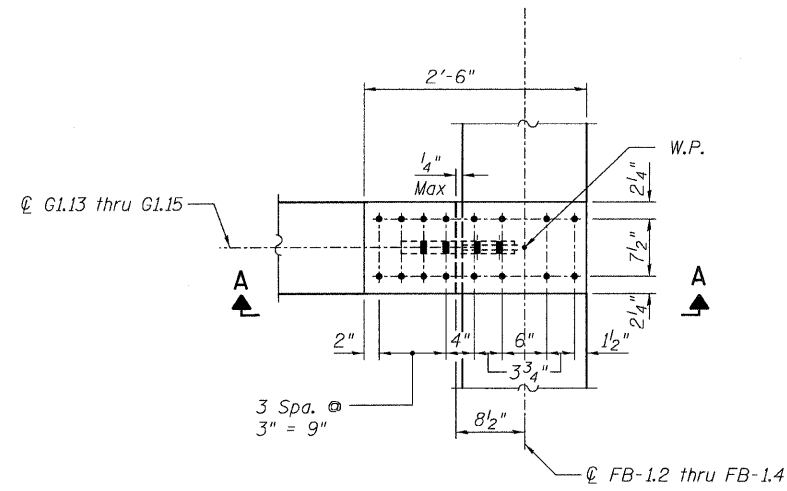
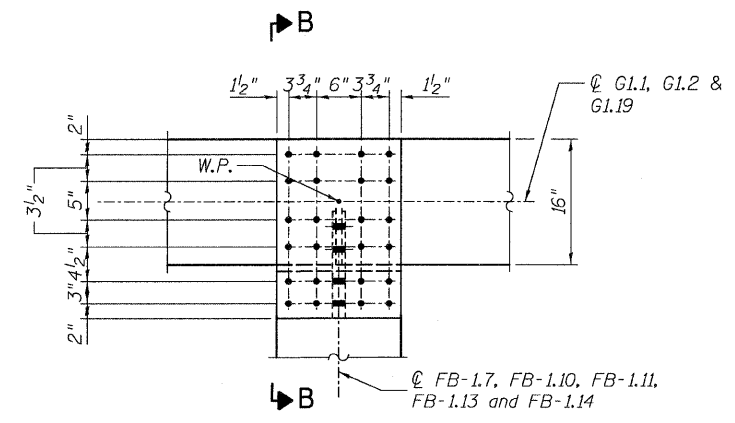


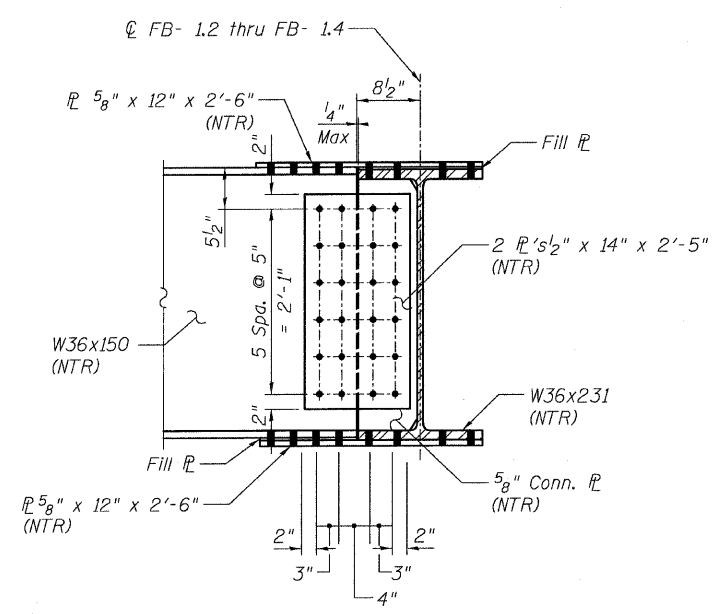
STATE OF ILLINOIS
DEPARTMENT OF TRANSPORTATION



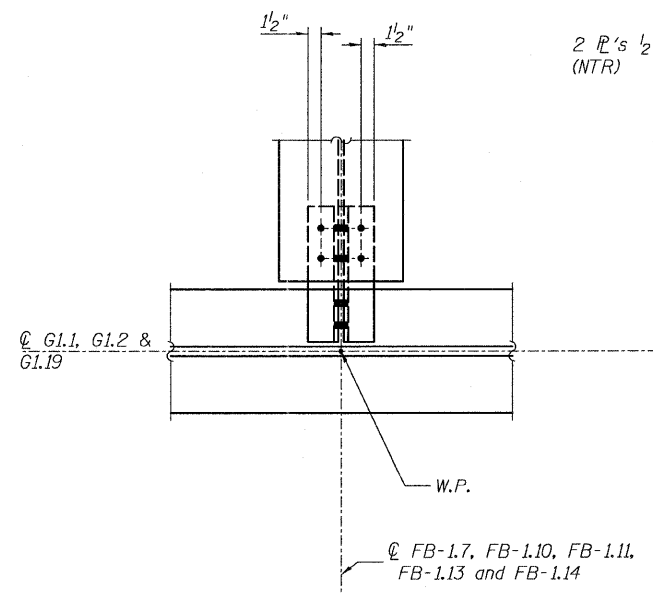
DETAIL 9
(Top Flange)
(Bottom Flange Similar)



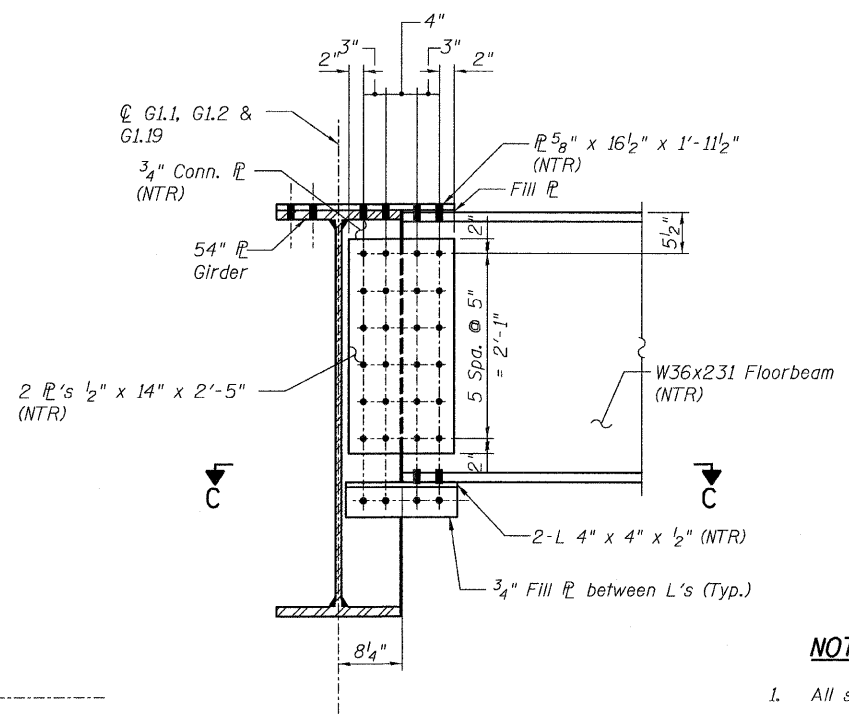
DETAIL 10
(Top Flange)



SECTION A-A



SECTION C-C



SECTION B-B

- NOTES:**
- All steel shall be AASHTO M270 Grade 50.
 - For Details 9 and 10 locations, see Sheet 94.
 - Load carrying components designated "NTR" shall conform to the Supplemental Requirements for Notch Toughness, Zone 2.

CONNECTION DETAILS 9&10
RAMP 1 FLARE
STRUCTURE NO. 016-0724

TYLIN INTERNATIONAL	DESIGNED - EKH, JMA	REVISIONS	
	CHECKED - AMD,	NAME	DATE
	DRAWN - EKH, JMA		
	CHECKED - AMD,		
	DATE - 03/25/2011		

SHEET NO. 124	F.A.I. RTE.	SECTION	COUNTY	TOTAL SHEETS	SHEET NO.
239 SHEETS	55	0711.2R & 1011.1BR	COOK	741	448
			CONTRACT NO. 60999		
FED. ROAD DIST. NO. 1 ILLINOIS FED. AID PROJECT					

5/9/2011 9:09:04 AM p:\01345\structure\02 Central Ave. 016-0724.rvt\115.dgn