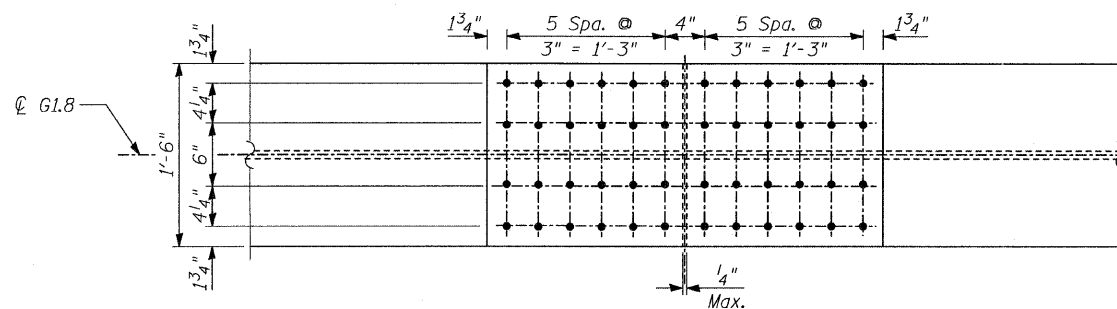
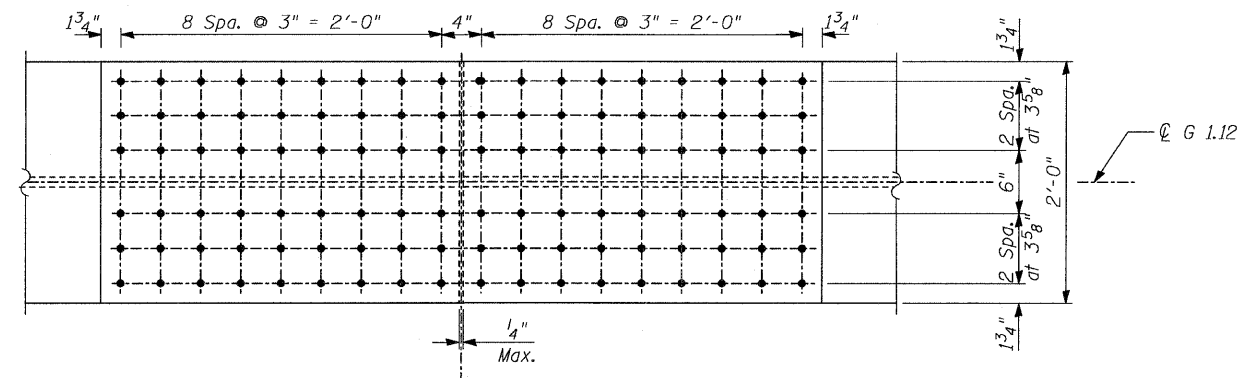


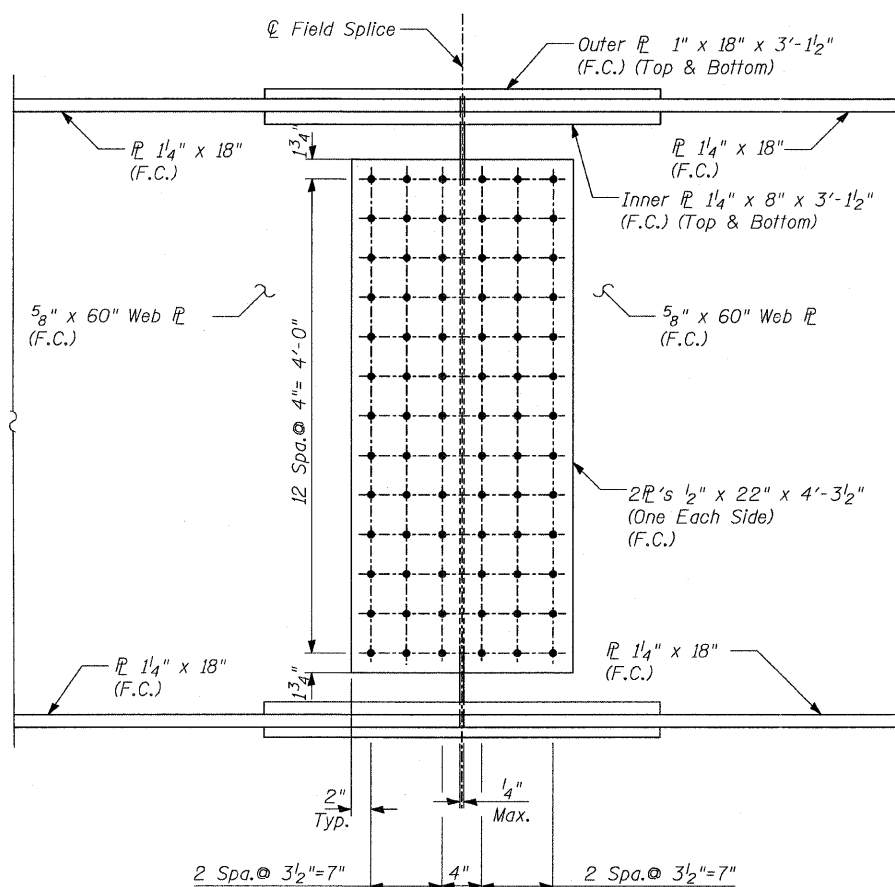
STATE OF ILLINOIS  
DEPARTMENT OF TRANSPORTATION



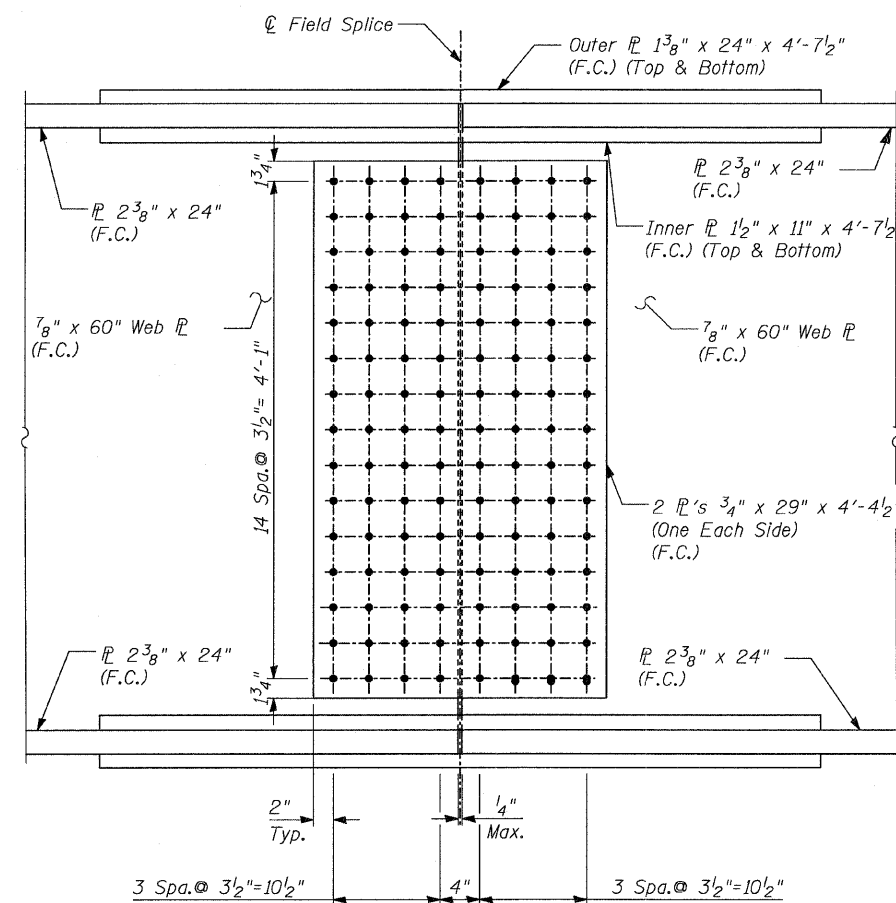
PLAN - TOP & BOTTOM FLANGE  
FIELD SPLICE FS-1.1



PLAN - TOP & BOTTOM FLANGE  
FIELD SPLICE FS-1.2 & 1.3



ELEVATION



ELEVATION

NOTES:

- All steel shall be AASHTO M270 Grade 50.
- F.C. denotes Fracture Critical Material, AASHTO Zone 2.

FIELD SPLICES  
RAMP 1  
STRUCTURE NO. 016-0724

TYLIN INTERNATIONAL

DESIGNED - EKH, JMA	REVISIONS	
	NAME	DATE
CHECKED - AMD,		
DRAWN - EKH, JMA		
CHECKED - AMD,		
DATE - 03/25/2011		

SHEET NO. 129	F.A.I. RTE. 55	SECTION 0711.2R & 1011.1BR	COUNTY COOK	TOTAL SHEETS 741	SHEET NO. 453
239 SHEETS		CONTRACT NO. 60999			
FED. ROAD DIST. NO. 1 ILLINOIS FED. AID PROJECT					

4/28/2011

p:\01345\structure\02 Central Ave. 016-0724\1557\Framemat19.dgn

12:53:04 PM