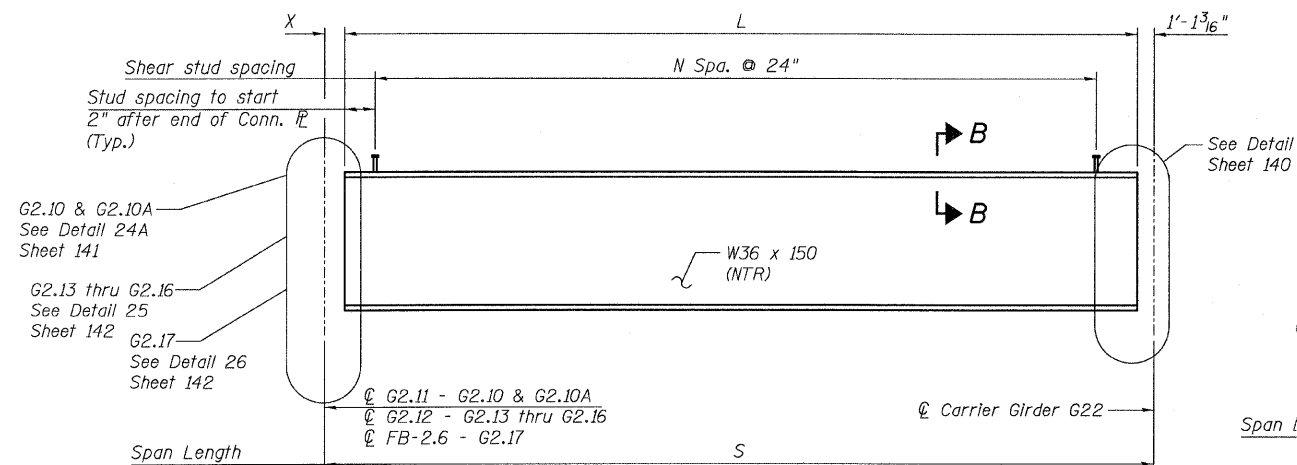
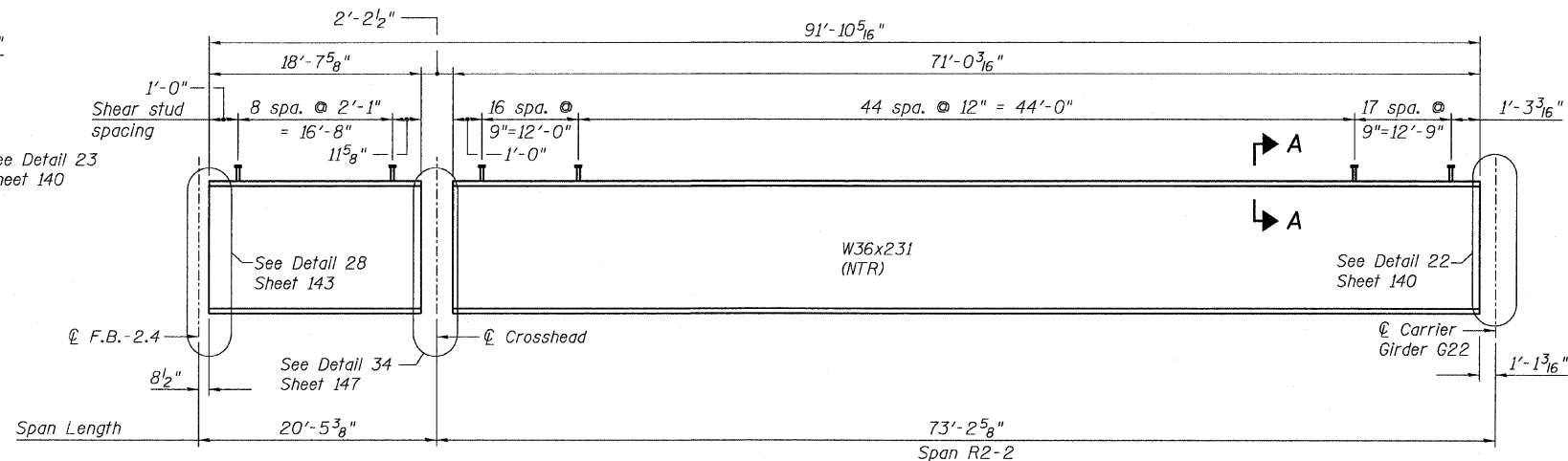


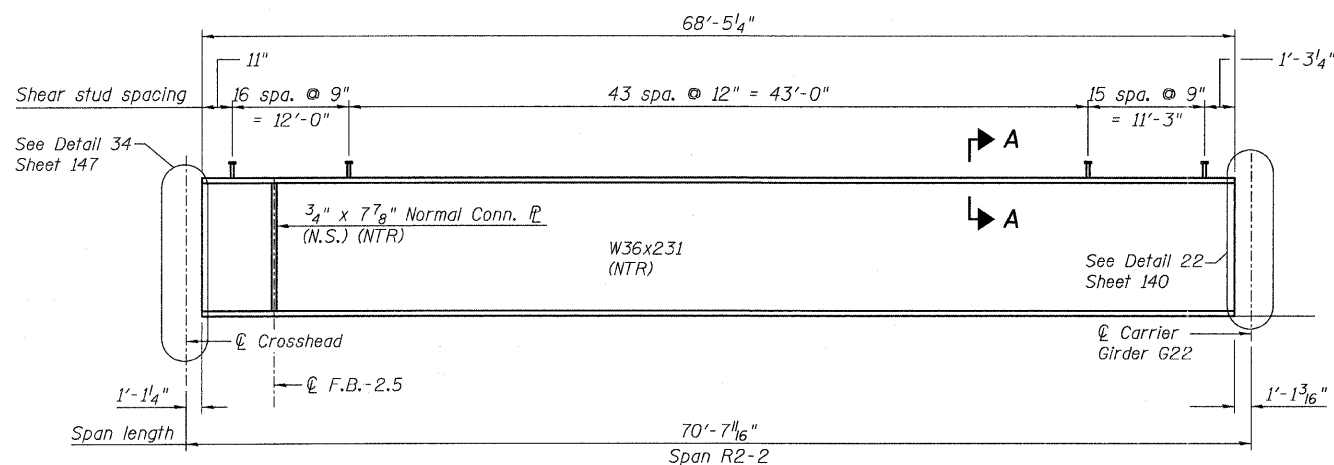
STATE OF ILLINOIS  
DEPARTMENT OF TRANSPORTATION



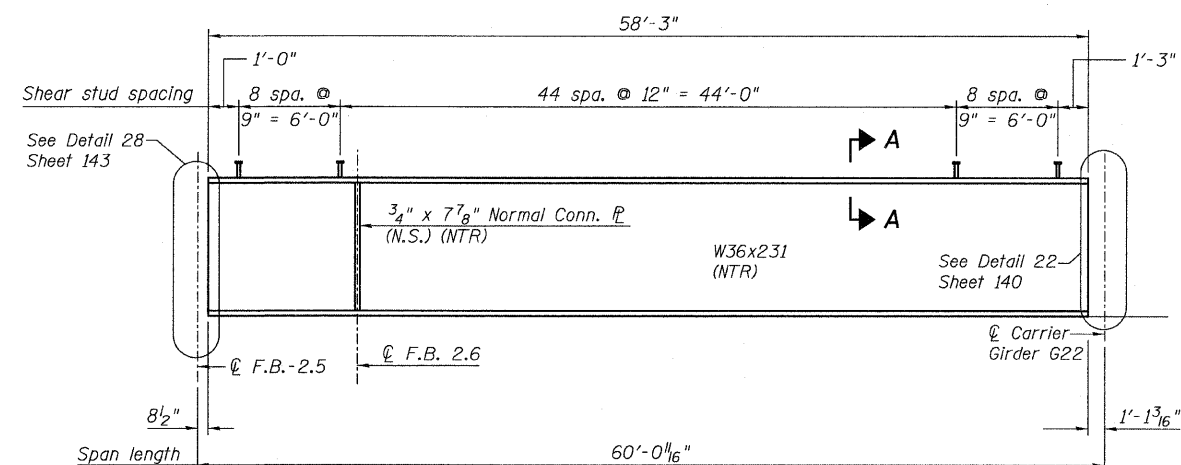
**GIRDER ELEVATIONS - G2.10, G2.10A & G2.13 THRU G2.17**  
(Looking North)



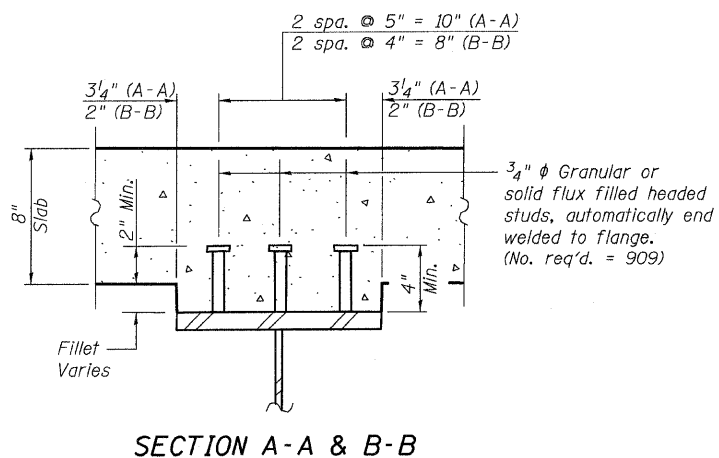
**GIRDER ELEVATION - G2.20**  
(Looking North)



**GIRDER ELEVATION - G2.19**  
(Looking North)



**GIRDER ELEVATION - G2.18**  
(Looking North)



**SECTION A-A & B-B**

**TABLE OF GIRDER VALUES**

Girder	L	S	X	N
G2.10	28'-3 7/16"	29'-6 5/8"	2"	12
G2.10A	17'-11 1/16"	19'-2 1/8"	2"	6
G2.13	5'-9"	8'-4 13/16"	1'-6 5/8"	1
G2.14	15'-0 1/16"	17'-9"	1'-7 3/4"	6
G2.15	25'-0 3/16"	27'-10 13/16"	1'-9 1/16"	11
G2.16	36'-0 5/16"	39'-0 5/16"	1'-10 13/16"	16
G2.17	45'-1 1/16"	46'-10 3/4"	8 1/2"	21

**NOTES:**

- All steel shown on this sheet shall conform to the requirements of AASHTO M270 GR 50.
- Load carrying components designated "NTR" shall conform to the Supplemental Requirements for Notch Toughness, Zone 2.
- For Connection Plate Detail see "Girder Elevations 1" Sheet 133.
- N.S. denotes near side.

**GIRDER ELEVATIONS 4**  
**RAMP 2 FLARE**  
**STRUCTURE NO. 016-0724**

<b>TYLIN INTERNATIONAL</b>	DESIGNED - JPN	REVISIONS		SHEET NO. 136	F.A.I. RTE.	SECTION	COUNTY	TOTAL SHEETS	SHEET NO.				
	CHECKED - AMD,	NAME	DATE		55					0711.2R & 1011.1BR	COOK	741	460
	DRAWN - MAU				239 SHEETS					CONTRACT NO. 60999			
	CHECKED - AMD,				FED. ROAD DIST. NO. 1 ILLINOIS FED. AID PROJECT								
	DATE - 03/25/2011												