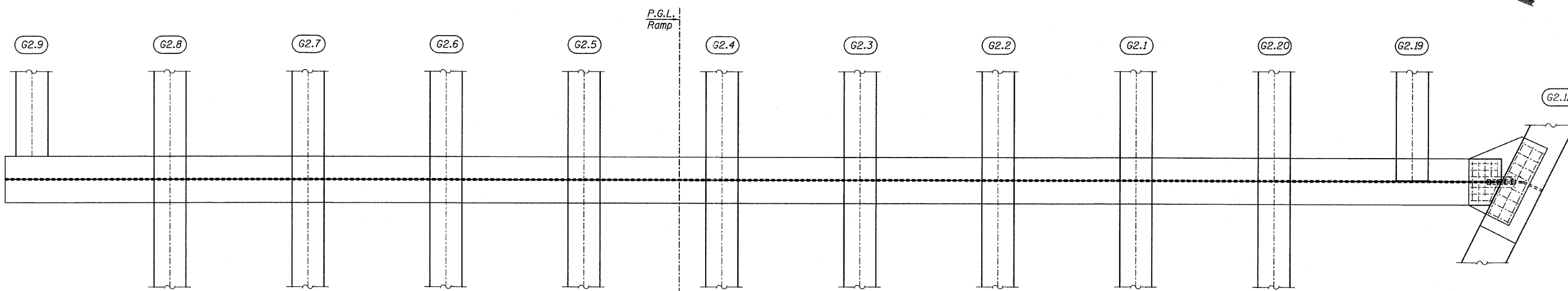
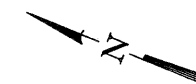
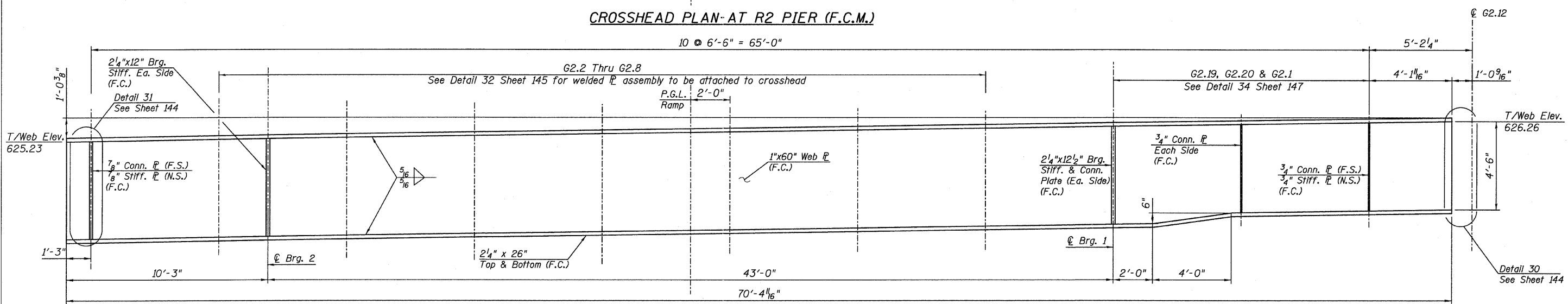


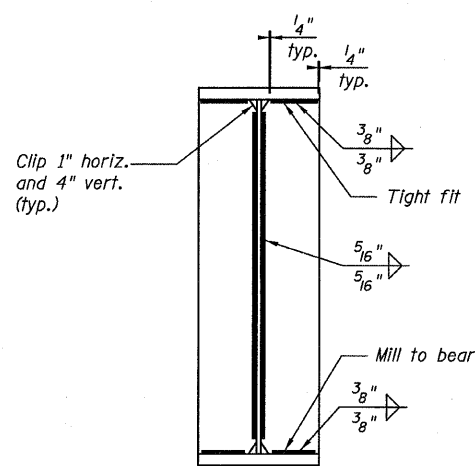
STATE OF ILLINOIS  
DEPARTMENT OF TRANSPORTATION



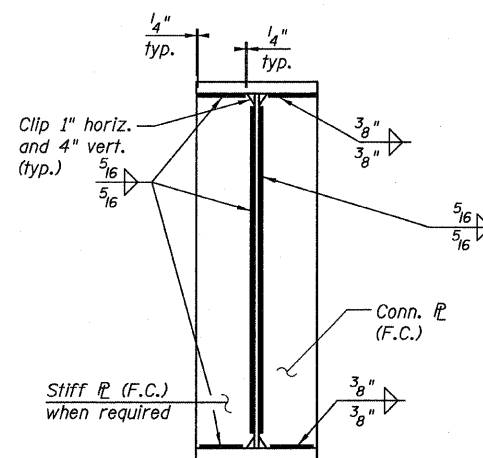
CROSSHEAD PLAN AT R2 PIER (F.C.M.)



CROSSHEAD ELEVATION AT R2 PIER (F.C.M.)  
(LOOKING EAST)



BEARING STIFFENER



CONNECTION PLATE  
DETAIL

TOP OF WEB ELEVATIONS  
(For Fabrication Only)

LOCATION	ELEVATION
CL BRG 1	626.01
CL BRG 2	625.38

NOTES:

- All steel shown on this sheet shall be AASHTO M 270 Grade 50.
- Load carrying components designated "NTR" shall conform to the Supplemental Requirements for Notch Toughness, Zone 2.
- F.C. indicates Fracture Critical Material, AASHTO Zone II.

TYLIN INTERNATIONAL

DESIGNED	JPN	REVISIONS	
CHECKED	AMD,	NAME	DATE
DRAWN	JMA		
CHECKED	AMD,		
DATE	03/25/2011		

SHEET NO. 137 239 SHEETS	F.A.I. RTE.	SECTION	COUNTY	TOTAL SHEETS	SHEET NO.
	55	0711.2R & 1011.1BR	COOK	741	461
FED. ROAD DIST. NO. 1 ILLINOIS			FED. AID PROJECT		

CROSSHEAD DETAILS  
RAMP 2 FLARE  
STRUCTURE NO. 016-0724

12:53:13 PM

\\01345\structure\02 Central Ave. 016-0724\155721.ramed.07.dwg

4/28/2011