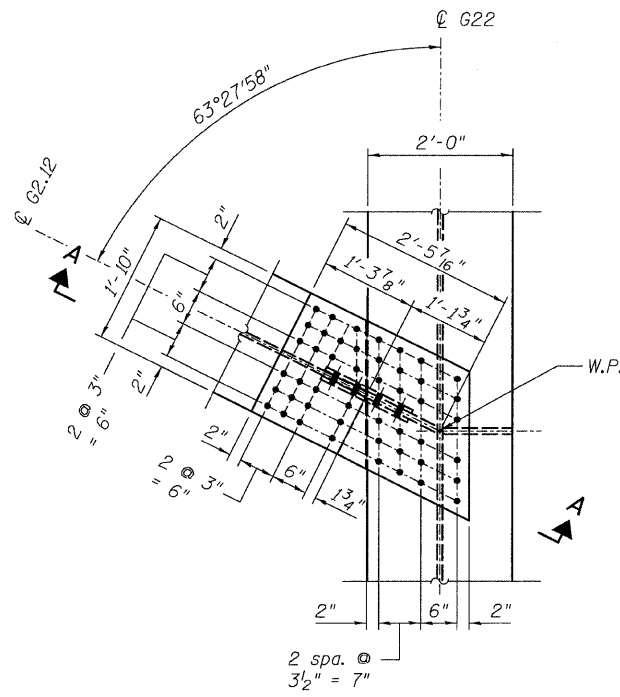
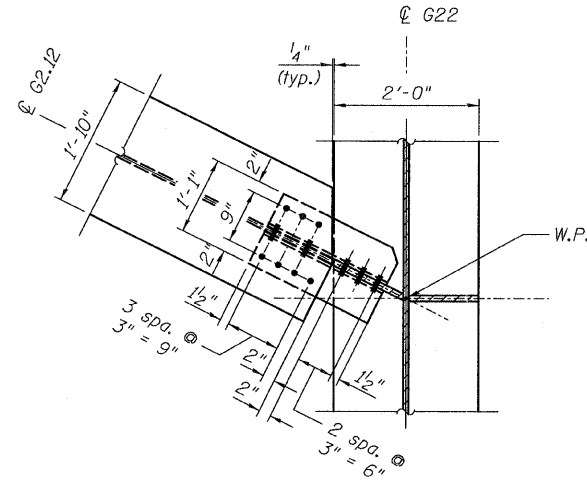


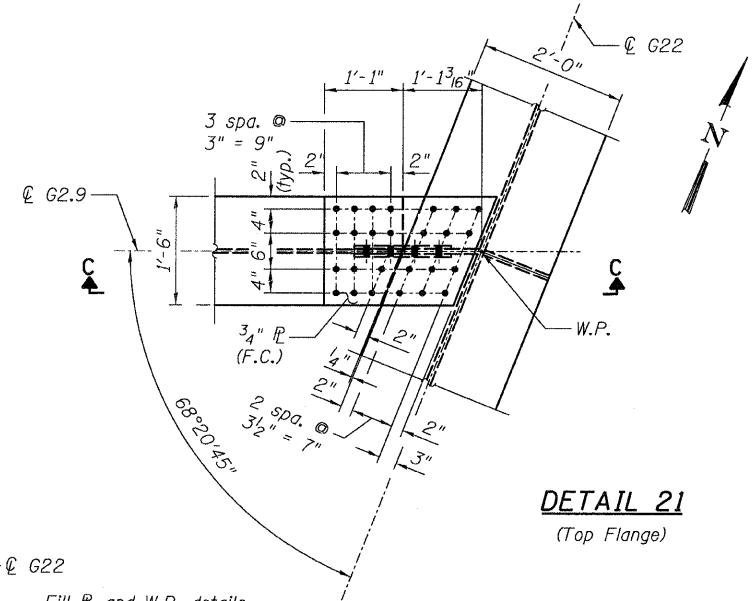
STATE OF ILLINOIS
DEPARTMENT OF TRANSPORTATION



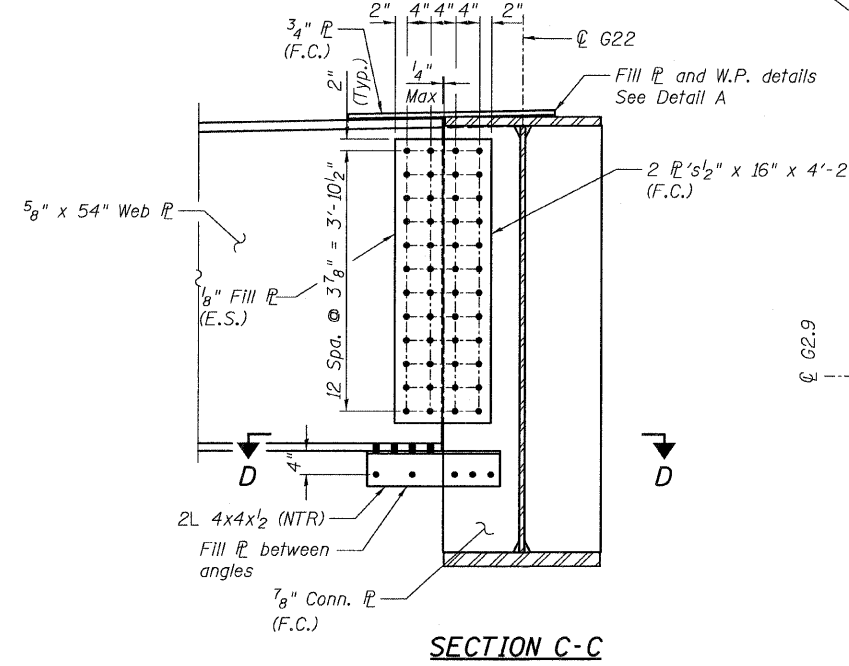
DETAIL 20
(Top Flange)



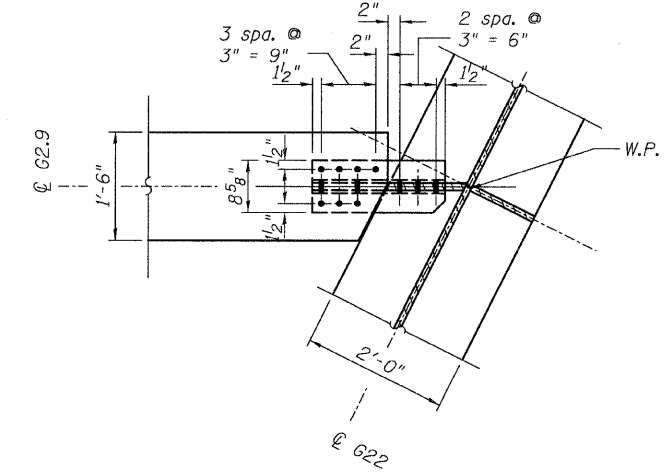
SECTION B-B
(Bottom Flange)



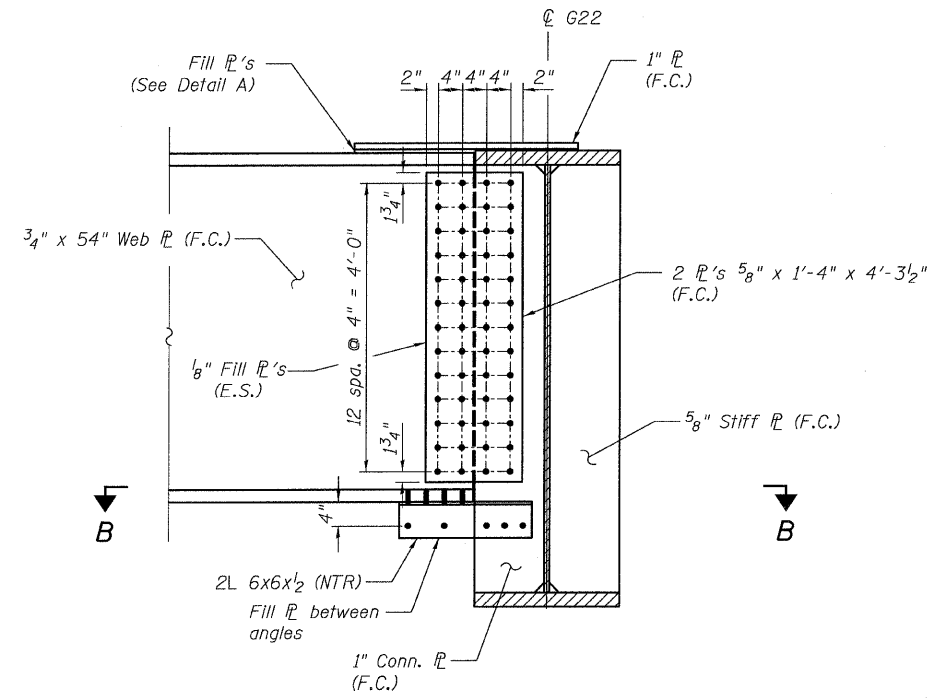
DETAIL 21
(Top Flange)



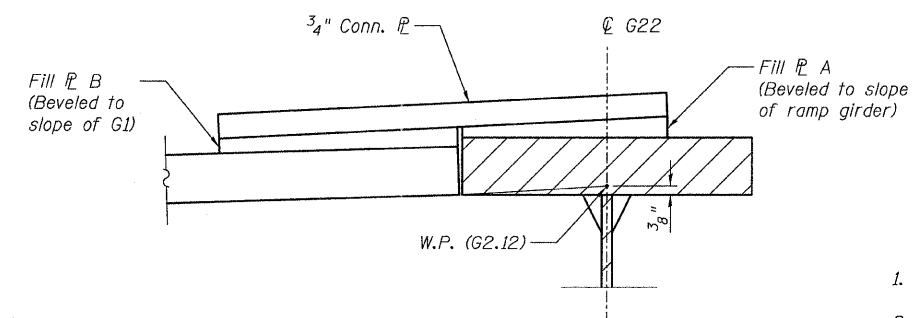
SECTION C-C



SECTION D-D
(Bottom Flange)



SECTION A-A



DETAIL A
(Not to scale)

NOTES:

- All steel shall be AASHTO M 270 Grade 50.
- F.C. indicates Fracture Critical Material, AASHTO Zone 2.
- Load carrying components designated "N.T.R." shall conform to the supplemental requirements for Notch Toughness, Zone 2.

CONNECTION DETAILS 20 & 21
RAMP 2 FLARE
STRUCTURE NO. 016-0724

TYLIN INTERNATIONAL

DESIGNED - JPN	REVISIONS	
CHECKED - AMD,	NAME	DATE
DRAWN - MAU		
CHECKED - AMD,		
DATE - 03/25/2011		

SHEET NO. 139	F.A.I. RTE.	SECTION	COUNTY	TOTAL SHEETS	SHEET NO.
	55	0711.2R & 1011.1BR	COOK	741	463
239 SHEETS	CONTRACT NO. 60999				
FED. ROAD DIST. NO. 1 ILLINOIS FED. AID PROJECT					

5/9/2011
pi:\01345\structur\02_Central_Ave_016-0724\155121.rvt