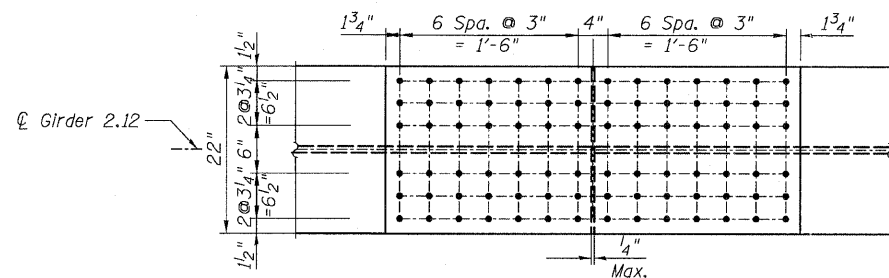
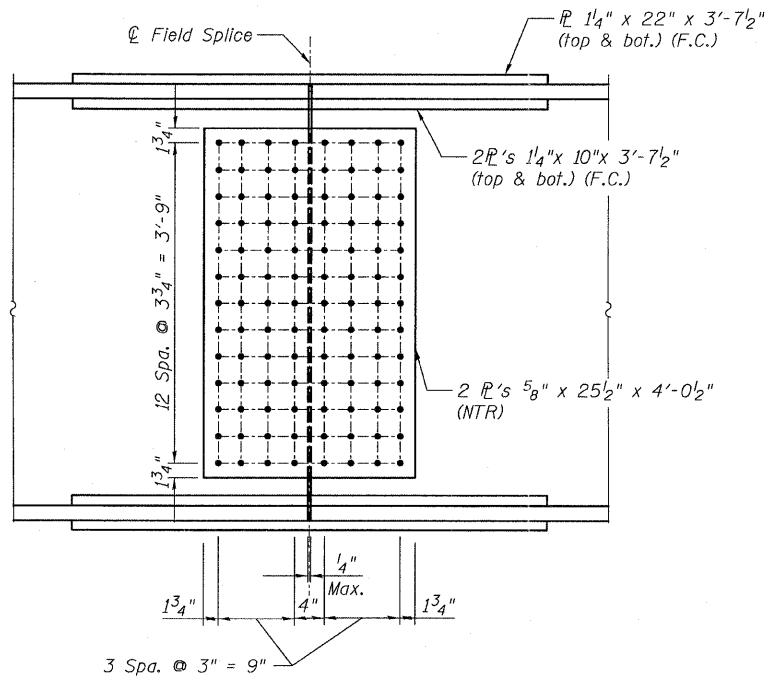


STATE OF ILLINOIS
DEPARTMENT OF TRANSPORTATION



PLAN - TOP & BOTTOM FLANGE



ELEVATION

FIELD SPLICE F.S.-2.1 & 2.2
(Girder 2.12)

NOTES:

1. All steel shall be AASHTO M270 Grade 50.
2. F.C. denotes Fracture Critical Material, AASHTO Zone 2.

**FIELD SPLICES
RAMP 2 FLARE
STRUCTURE NO. 016-0724**

TYLIN INTERNATIONAL

DESIGNED - JPN
CHECKED - AMD,
DRAWN - JMA
CHECKED - AMD,
DATE - 03/25/2011

REVISIONS	
NAME	DATE

SHEET NO. 148 239 SHEETS	F.A.I RTE.	SECTION	COUNTY	TOTAL SHEETS	SHEET NO.
	55	0711.2R & 1011.1BR	COOK	741	472
FED. ROAD DIST. NO. 1 ILLINOIS			FED. AID PROJECT		
CONTRACT NO. 60999					

4/28/2011

pi\01345\structure\C2 Central Ave. 016-0724\155f21 Framed118.dgn

12:53:26 PM