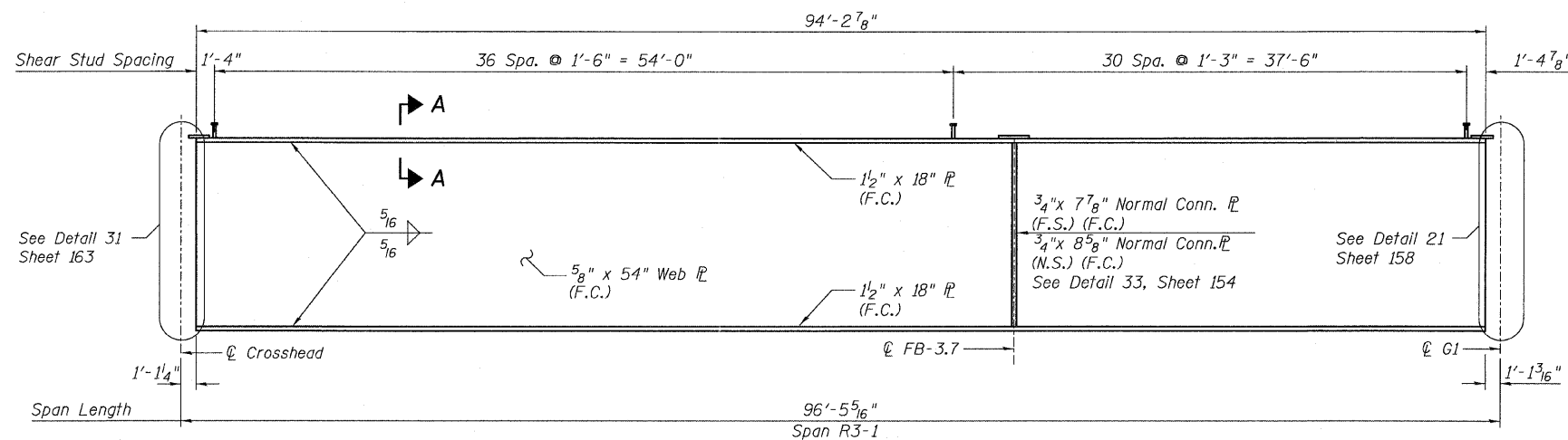
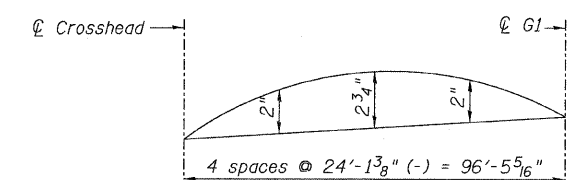


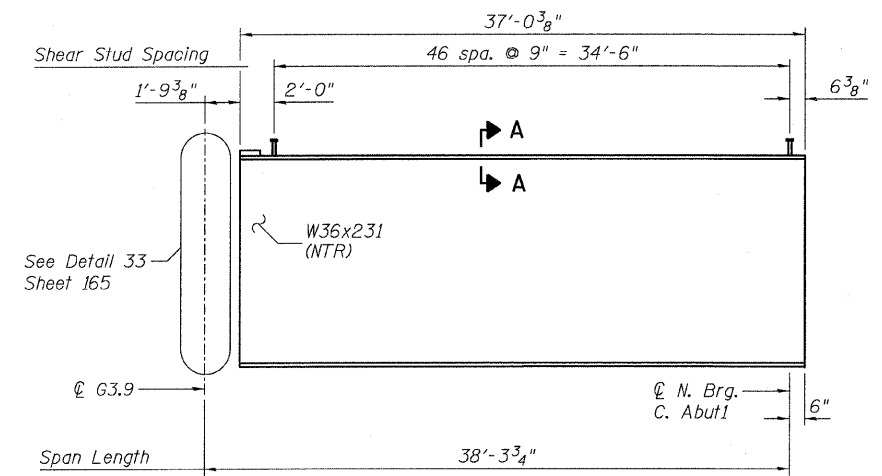
STATE OF ILLINOIS
DEPARTMENT OF TRANSPORTATION



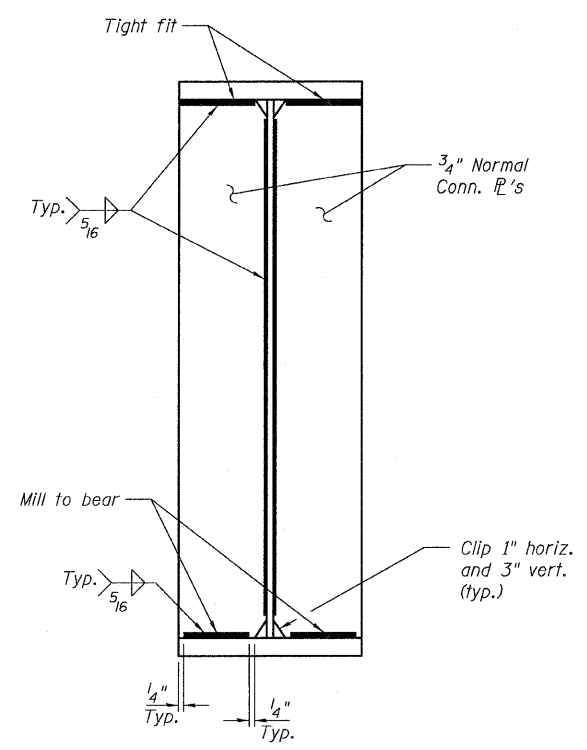
GIRDER ELEVATION - G3.9
(Looking South)



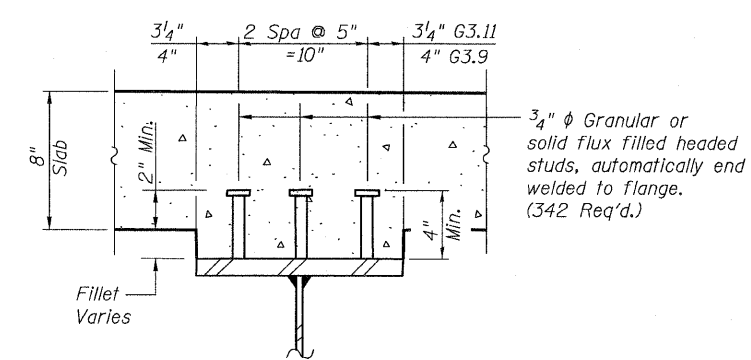
CAMBER DIAGRAM
Girder G3.9



GIRDER ELEVATION - G3.11
(Looking South)



CONNECTION FL



SECTION A-A

- NOTES:**
- All steel shown on this sheet shall conform to the requirements of AASHTO M270 GR 50.
 - Load carrying components designated "NTR" shall conform to the Supplemental Requirements for Notch Toughness, Zone 2.
 - F.C. denotes Fracture Critical Material AASHTO Zone II.
 - F.S. denotes far side.
 - N.S. denotes near side.

GIRDER ELEVATIONS 2
RAMP 3 FLARE
STRUCTURE NO. 016-0724

TYLIN INTERNATIONAL	DESIGNED - JPN	REVISIONS		SHEET NO. 153	F.A.I RTE.	SECTION	COUNTY	TOTAL SHEETS	SHEET NO.								
	CHECKED - AMD,	NAME	DATE							239 SHEETS	55	0711.2R & 1011.BR	COOK	741	477		
	DRAWN - MAU															CONTRACT NO. 60999	
	CHECKED - AMD,																FED. ROAD DIST. NO. 1 ILLINOIS FED. AID PROJECT
	DATE - 03/25/2011																

pi:\01345\structure\c2_Central_Ave_016-0724\155131_ramped1.dgn 4/28/2011 12:53:31 PM