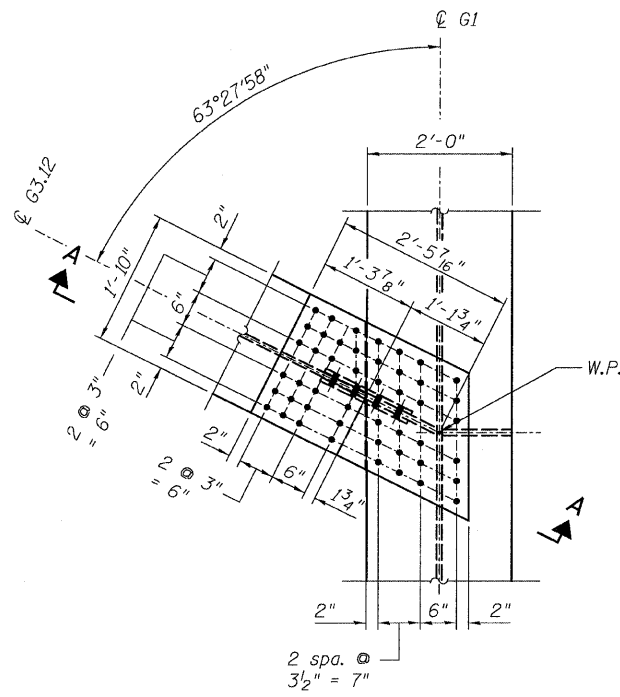
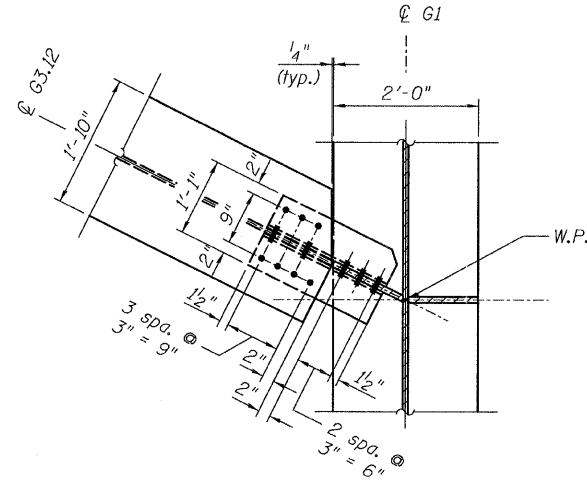


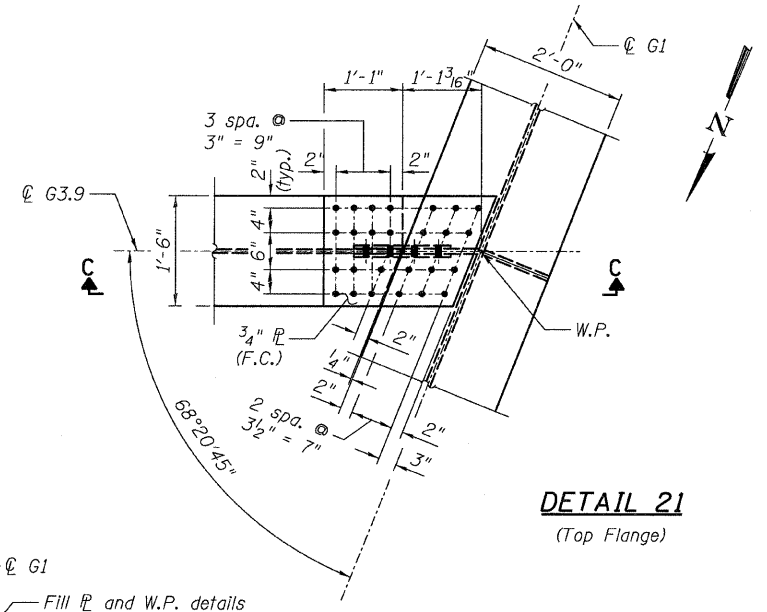
STATE OF ILLINOIS
DEPARTMENT OF TRANSPORTATION



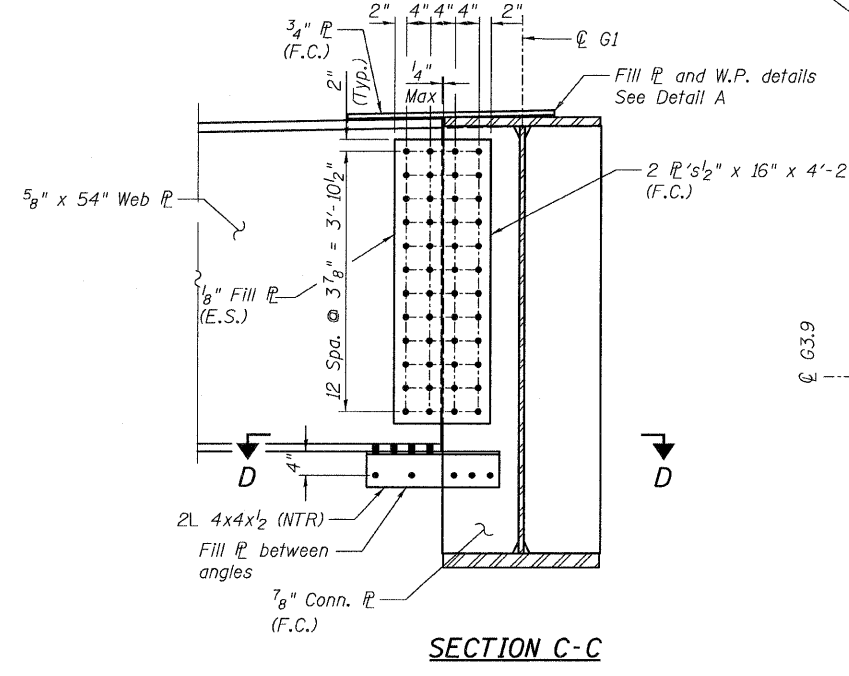
DETAIL 20
(Top Flange)



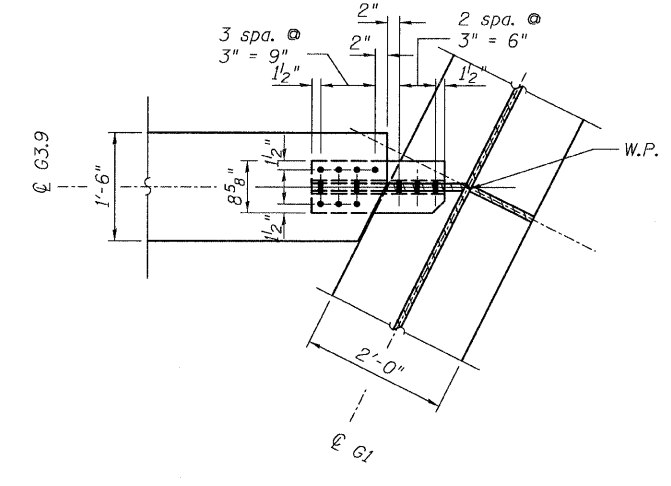
SECTION B-B
(Bottom Flange)



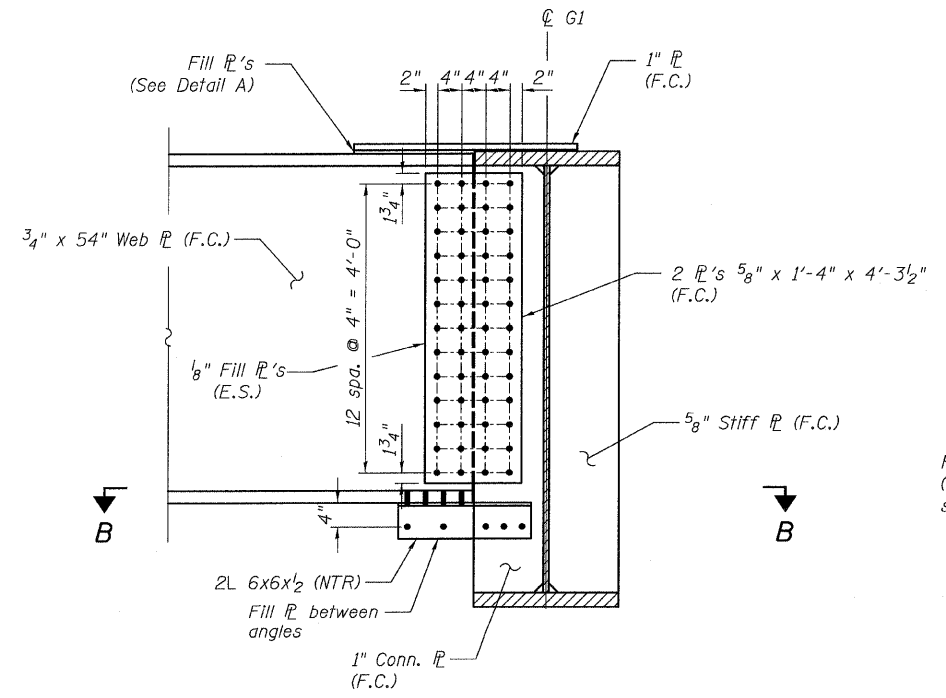
DETAIL 21
(Top Flange)



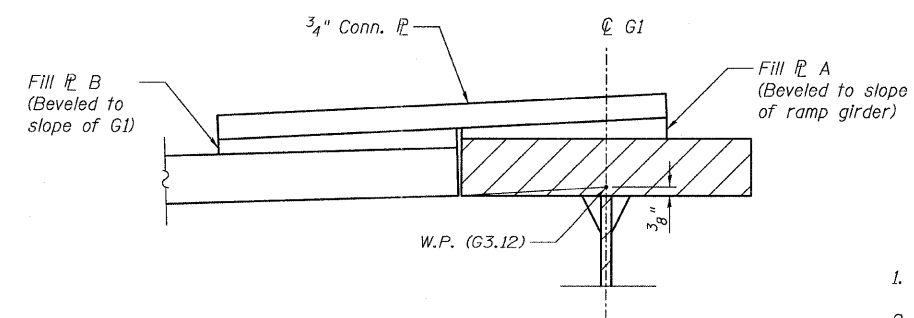
SECTION C-C



SECTION D-D
(Bottom Flange)



SECTION A-A



DETAIL A
(Not to scale)

NOTES:

- All steel shall be AASHTO M 270 Grade 50.
- F.C. indicates Fracture Critical Material, AASHTO Zone 2.
- Load carrying components designated "N.T.R." shall conform to the supplemental requirements for Notch Toughness, Zone 2.

CONNECTION DETAILS 20 & 21
RAMP 3 FLARE
STRUCTURE NO. 016-0724

| | | | | | | | | | | |
|----------------------------|-------------------|-----------|------|---------------|---|---------|--------------------|--------------|-----------|-----|
| TYLIN INTERNATIONAL | DESIGNED - JPN | REVISIONS | | SHEET NO. 158 | F.A.I. RTE. | SECTION | COUNTY | TOTAL SHEETS | SHEET NO. | |
| | CHECKED - AMD, | NAME | DATE | | 239 SHEETS | 55 | 0711.2R & 1011.1BR | COOK | 741 | 482 |
| | DRAWN - MAU | | | | CONTRACT NO. 60999 | | | | | |
| | CHECKED - AMD, | | | | FED. ROAD DIST. NO. 1 ILLINOIS FED. AID PROJECT | | | | | |
| | DATE - 03/25/2011 | | | | | | | | | |

5/9/2011 9:09:09 AM p:\01345\structure\02 Central Ave. 016-0724\55531.rvt