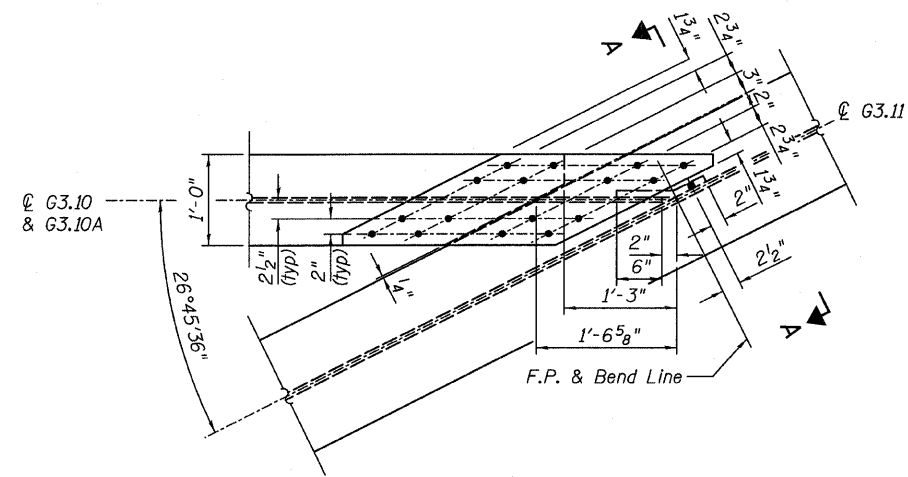
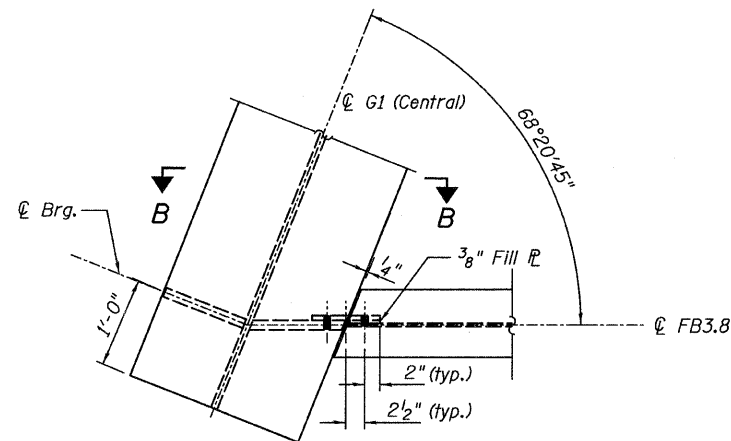


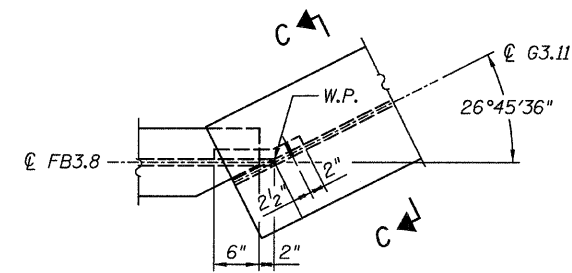
STATE OF ILLINOIS
DEPARTMENT OF TRANSPORTATION



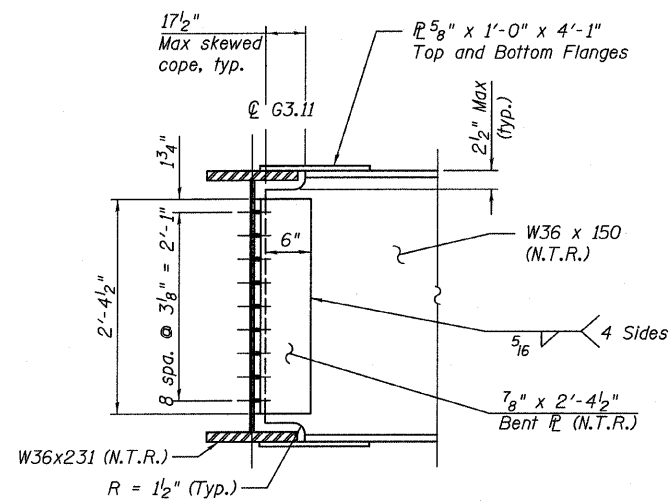
DETAIL 24A
(Top Flange)
(Bottom flange similar)



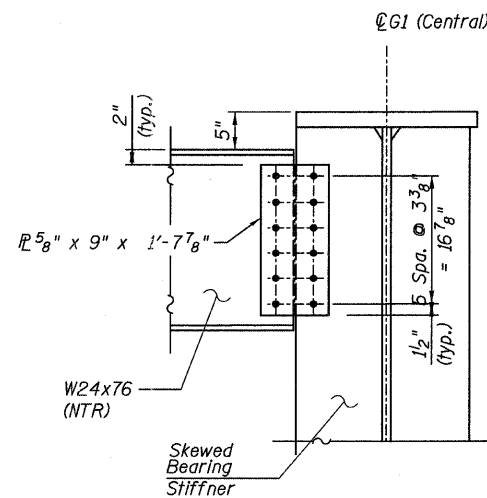
DETAIL 24B
(Top Flange)



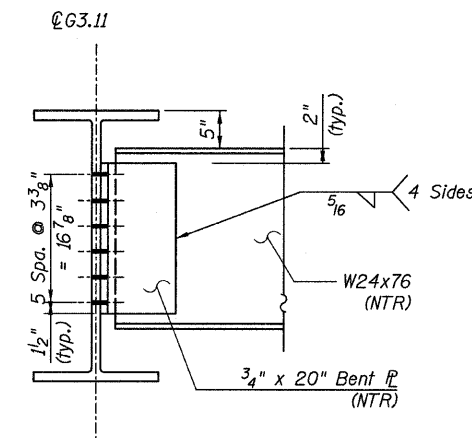
DETAIL 24C
(Top Flange)



SECTION A-A



SECTION B-B



SECTION C-C

NOTES:

- All steel shall be AASHTO M 270 Grade 50.
- Load carrying components designated "N.T.R." shall conform to the supplemental requirements for Notch Toughness, Zone 2.

CONNECTION DETAIL 24
RAMP 3 FLARE
STRUCTURE NO. 016-0724

TYLIN INTERNATIONAL	DESIGNED - JPN	REVISIONS		SHEET NO. 160	F.A.I RTE. 55	SECTION 0711.2R & 1011.1BR	COUNTY COOK	TOTAL SHEETS 741	SHEET NO. 484
	CHECKED - AMD,	NAME	DATE						
	DRAWN - MAU								
	CHECKED - AMD,								
	DATE - 03/25/2011								
					239 SHEETS				
					CONTRACT NO. 60999				
					FED. ROAD DIST. NO. 1 ILLINOIS FED. AID PROJECT				