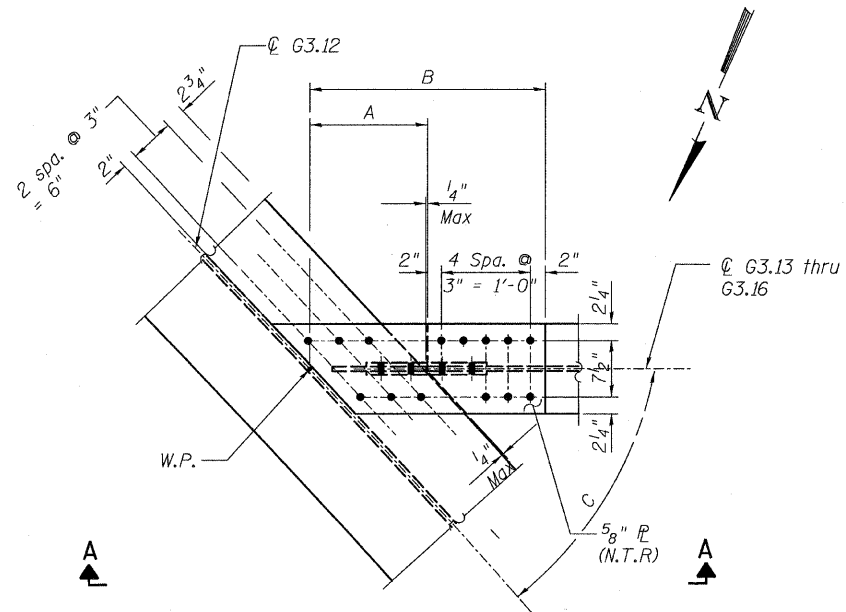
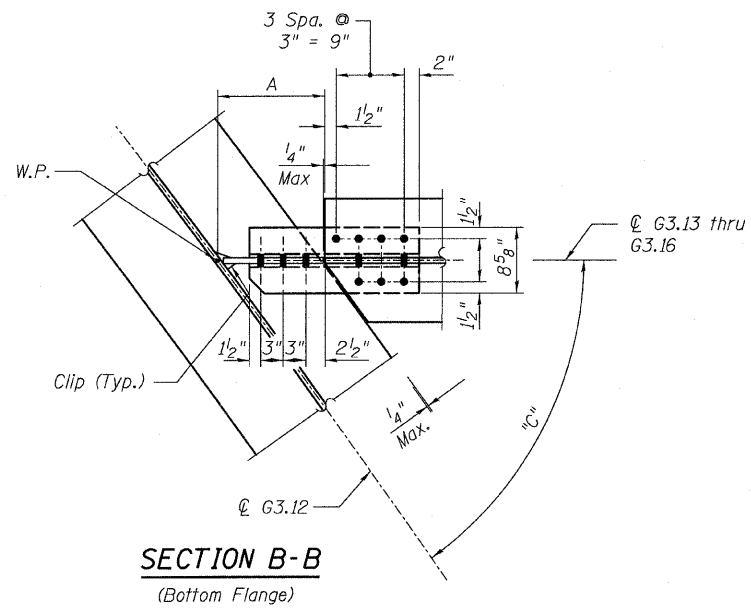


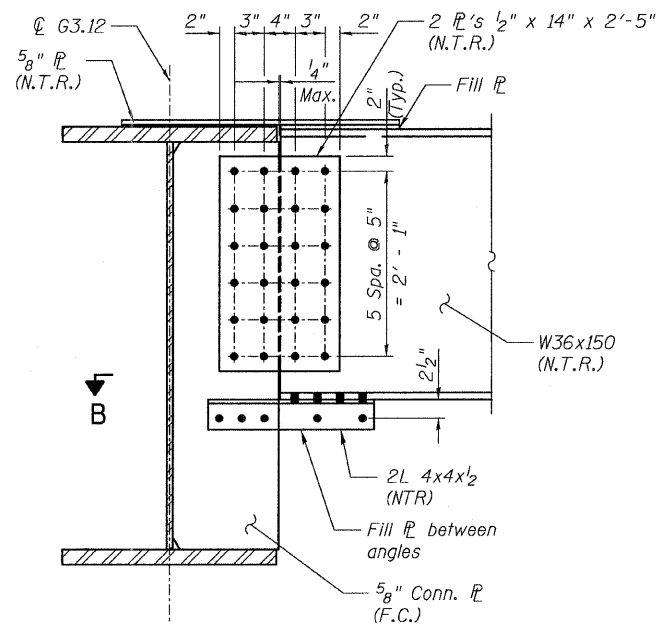
STATE OF ILLINOIS  
DEPARTMENT OF TRANSPORTATION



**DETAIL 25**  
(Top Flange)

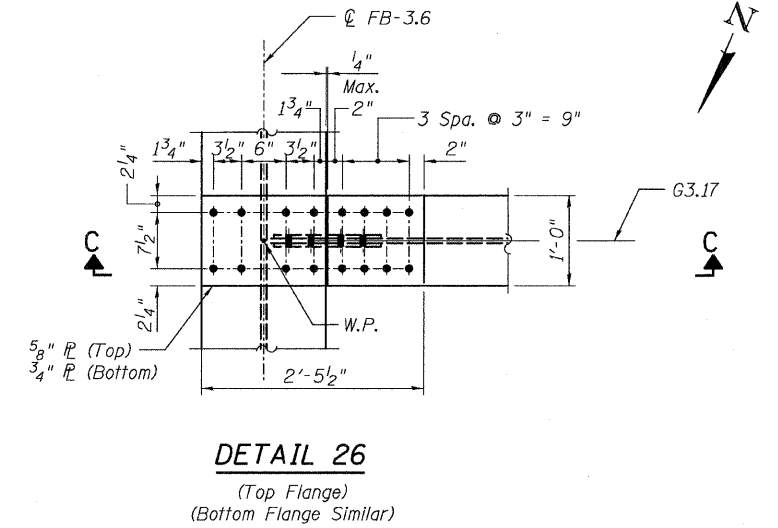


**SECTION B-B**  
(Bottom Flange)

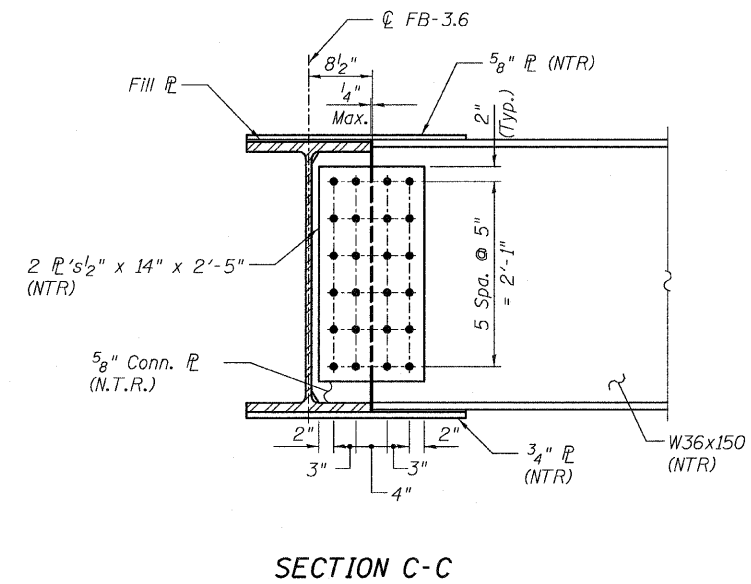


**SECTION A-A**

Girder	Dimensions		
	A	B	C
G3.13	1'-6 <sup>5</sup> / <sub>8</sub> "	2'-10 <sup>5</sup> / <sub>8</sub> "	45°21'53"
G3.14	1'-7 <sup>3</sup> / <sub>4</sub> "	2'-11 <sup>3</sup> / <sub>4</sub> "	42°17'28"
G3.15	1'-9 <sup>1</sup> / <sub>6</sub> "	3'-1 <sup>1</sup> / <sub>6</sub> "	39°1'28"
G3.16	1'-10 <sup>13</sup> / <sub>16</sub> "	3'-2 <sup>13</sup> / <sub>16</sub> "	35°30'34"



**DETAIL 26**  
(Top Flange)  
(Bottom Flange Similar)



**SECTION C-C**

**NOTES:**

- All steel shall be AASHTO M 270 Grade 50.
- F.C. indicates Fracture Critical material, AASHTO Zone II.
- Load carrying components designated "N.T.R." shall conform to the supplemental requirements for Notch Toughness, Zone 2.

**TYLIN INTERNATIONAL**

DESIGNED - JPN	REVISIONS	
	NAME	DATE
CHECKED - AMD,		
DRAWN - JMA		
CHECKED - AMD,		
DATE - 03/25/2011		

SHEET NO. 161	F.A.I. RTE.	SECTION	COUNTY	TOTAL SHEETS	SHEET NO.
	55	0711.2R & 1011.1BR	COOK	741	485
239 SHEETS	CONTRACT NO. 60999				
FED. ROAD DIST. NO. 1		ILLINOIS	FED. AID PROJECT		