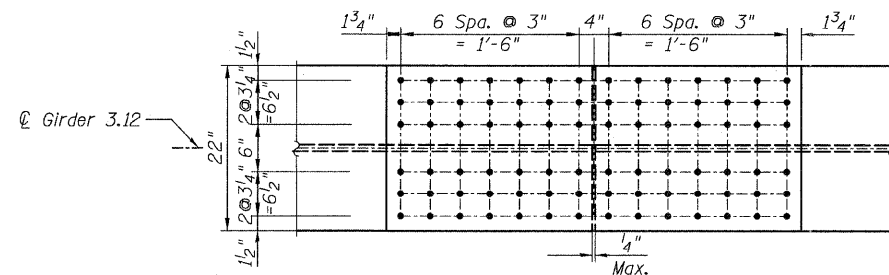
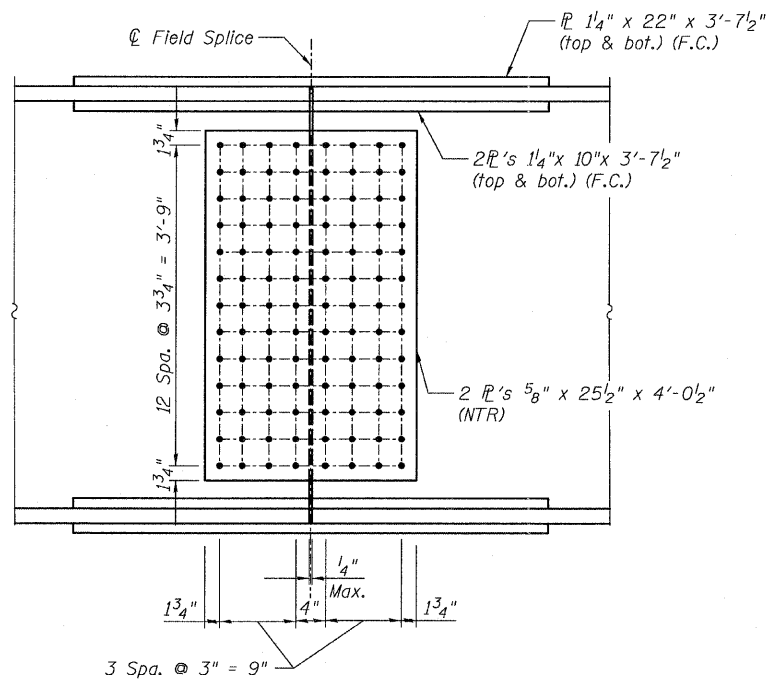


STATE OF ILLINOIS
DEPARTMENT OF TRANSPORTATION



PLAN - TOP & BOTTOM FLANGE



ELEVATION

FIELD SPLICE F.S.-3.1 & 3.2
(Girder 3.12)

NOTES:

1. All steel shall be AASHTO M270 Grade 50.
2. F.C. denotes Fracture Critical Material, AASHTO Zone 2.

**FIELD SPLICES
RAMP 3 FLARE
STRUCTURE NO. 016-0724**

TYLIN INTERNATIONAL	DESIGNED - TD	REVISIONS		SHEET NO. 167	F.A.I RTE. 55	SECTION 0711.2R & 1011.1BR	COUNTY COOK	TOTAL SHEETS 741	SHEET NO. 491							
	CHECKED - AMD, MAI	NAME	DATE							239 SHEETS	CONTRACT NO. 60999					
	DRAWN - Y.J, DJR, RLB										FED. ROAD DIST. NO. 1 ILLINOIS FED. AID PROJECT					
	CHECKED - AMD, MAI, MI															
	DATE - 03/25/2011															