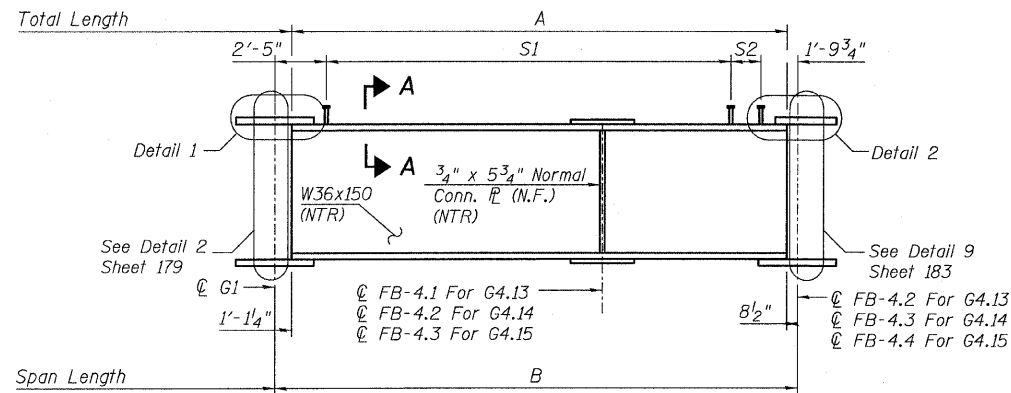


STATE OF ILLINOIS
DEPARTMENT OF TRANSPORTATION

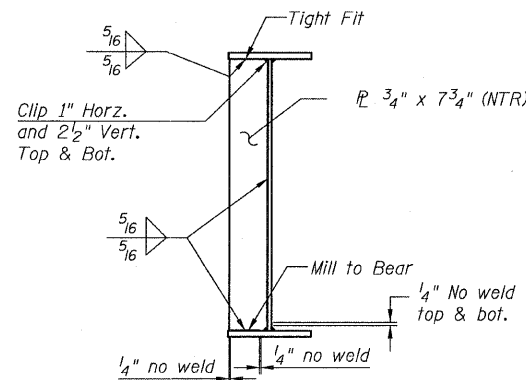


GIRDER ELEVATION - G4.13 THRU G4.15
(Looking South)

GIRDER DIMENSIONS

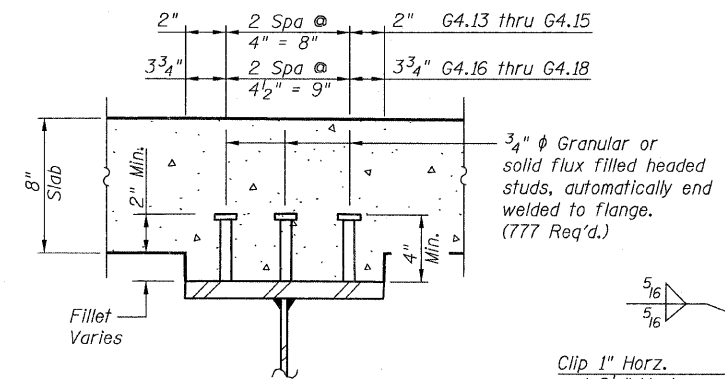
(Girders G4.13 thru G4.15)

	A	B	S1	S1	S2
G4.13	12'-1 1/16"	13'-11 1/16"	4 Spa. @ 24" = 8'-0"		1'-8 1/16"
G4.14	21'-6 3/4"	23'-4 1/2"	9 Spa. @ 24" = 18'-0"		1'-1 3/4"
G4.15	33'-11 3/4"	35'-9 1/2"	16 Spa. @ 24" = 32'-0"		1'-11 3/4"

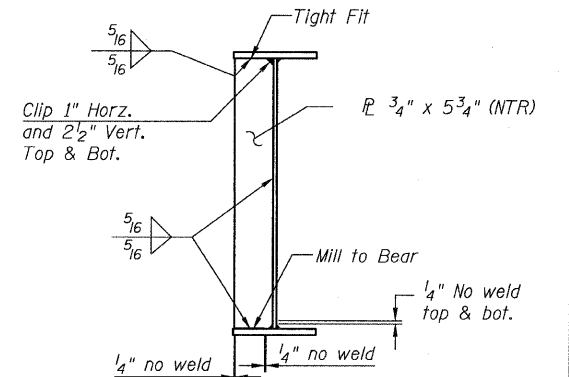


CONN. P DETAIL G4.16 THRU G4.18

(Floor beams & Cross frames)

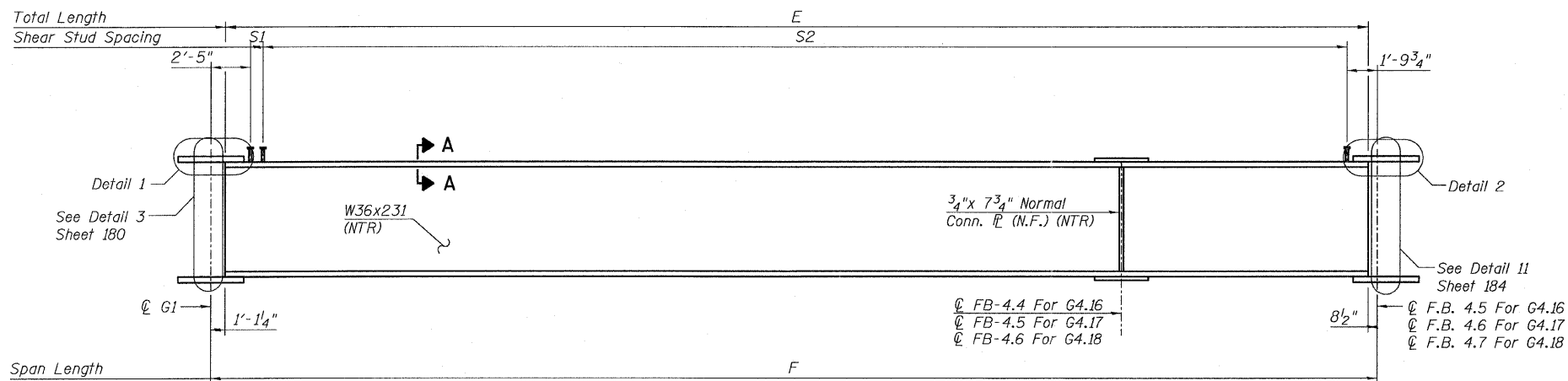


SECTION A-A



CONN. P DETAIL G4.13 THRU G4.15

(Floor beams)



GIRDER ELEVATION - G4.16 THRU G4.18

(Looking South)

SHEAR STUD SPACINGS

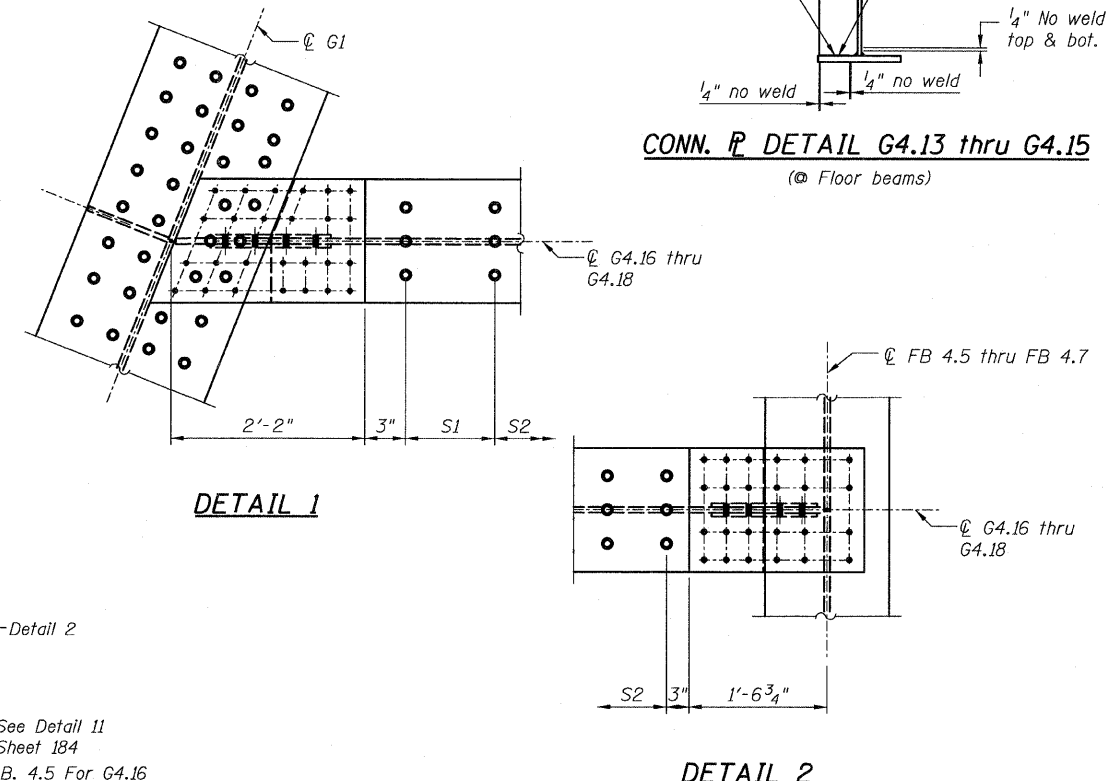
(Girders G4.16 thru G4.18)

	S1	S2
G4.16	5 7/8" 58 Spa. @ 9" = 43'-6"	
G4.17	1 1/8" 75 Spa. @ 9" = 56'-3"	
G4.18	6 7/8" 91 Spa. @ 9" = 68'-3"	

GIRDER DIMENSIONS

(Girders G4.16 thru G4.18)

	E	F
G4.16	46'-4 1/8"	48'-2 5/8"
G4.17	58'-9 1/8"	60'-7 5/8"
G4.18	71'-2 1/8"	73'-0 5/8"



DETAIL 1

DETAIL 2

NOTES:

- All steel shown on this sheet shall conform to the requirements of AASHTO M270 GR 50.
- Load carrying components designated "NTR" shall conform to the supplemental requirements for Notch Toughness, Zone 2.
- N.F. denotes Near Face.

**GIRDER ELEVATIONS 5
RAMP 4 FLARE
STRUCTURE NO. 016-0724**

TYLIN INTERNATIONAL

DESIGNED	EKH, JMA, PK	REVISIONS	
CHECKED	AMD,	NAME	DATE
DRAWN	EKH, JMA, PK		
CHECKED	AMD,		
DATE	03/25/2011		

SHEET NO. 175	F.A.I. RTE.	SECTION	COUNTY	TOTAL SHEETS	SHEET NO.
	239 SHEETS	55	0711.2R & 1011.1BR	COOK	741
CONTRACT NO. 60999					
FED. ROAD DIST. NO. 1 ILLINOIS FED. AID PROJECT					