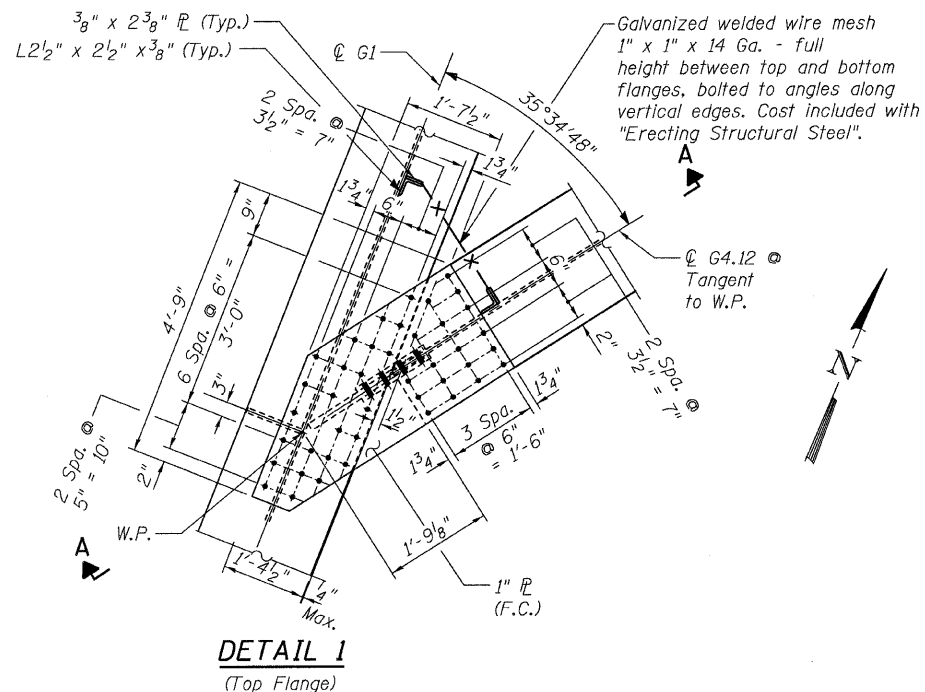
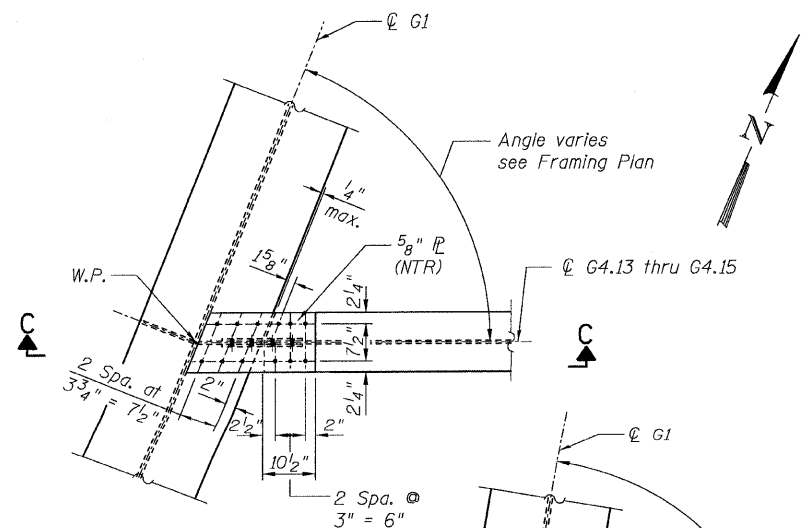


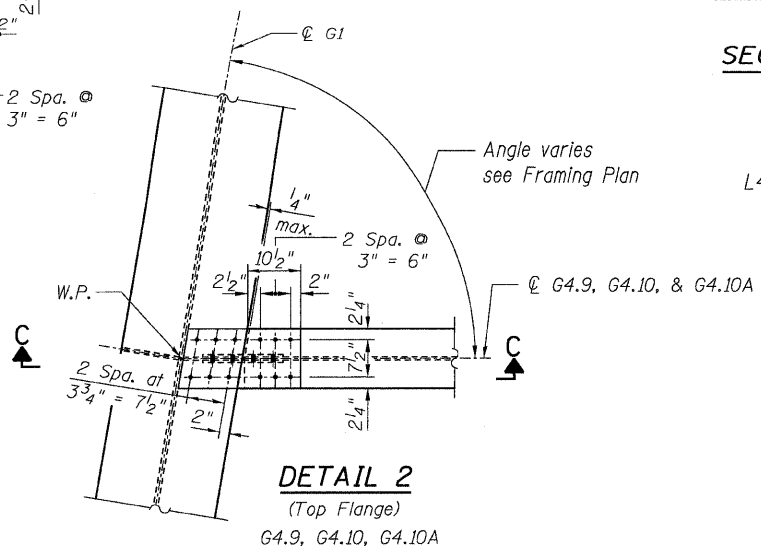
STATE OF ILLINOIS
DEPARTMENT OF TRANSPORTATION



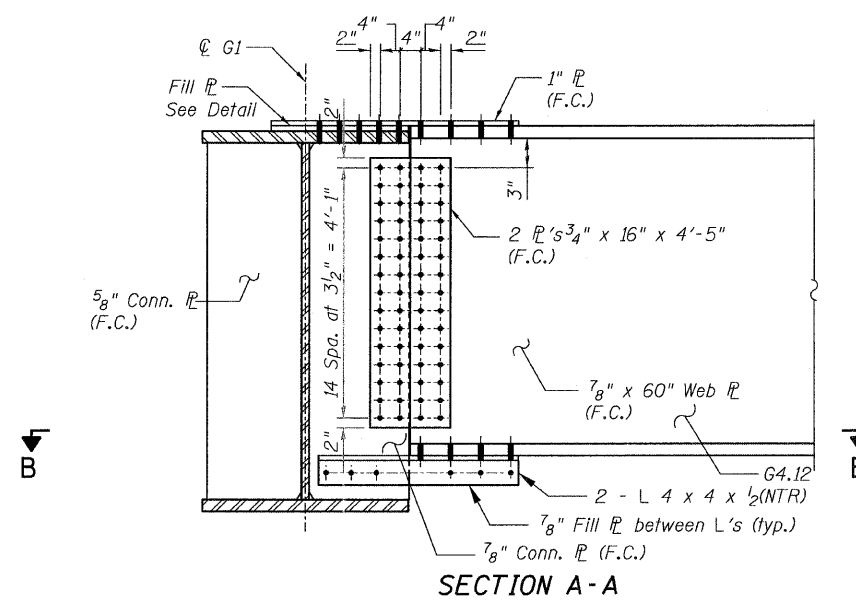
DETAIL 1
(Top Flange)



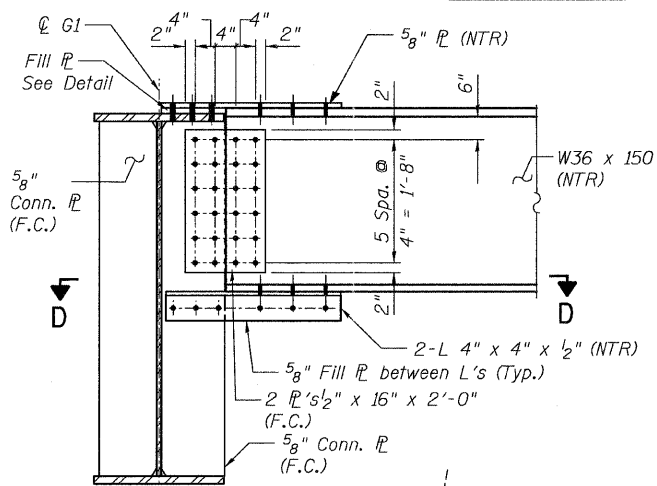
DETAIL 2
(Top Flange)
G4.13 thru G4.15



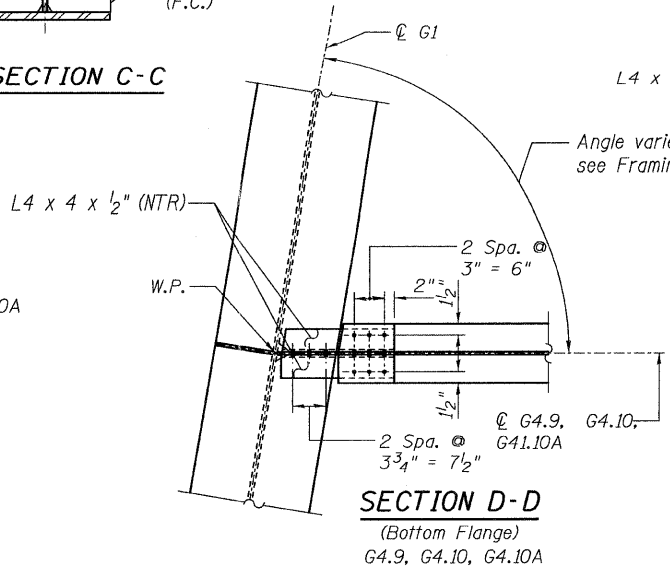
DETAIL 2
(Top Flange)
G4.9, G4.10, G4.10A



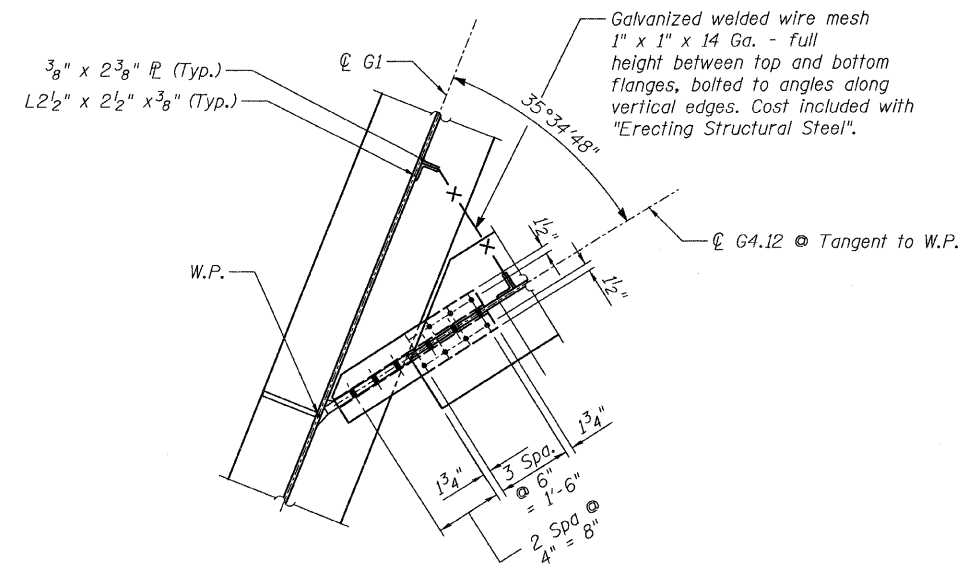
SECTION A-A



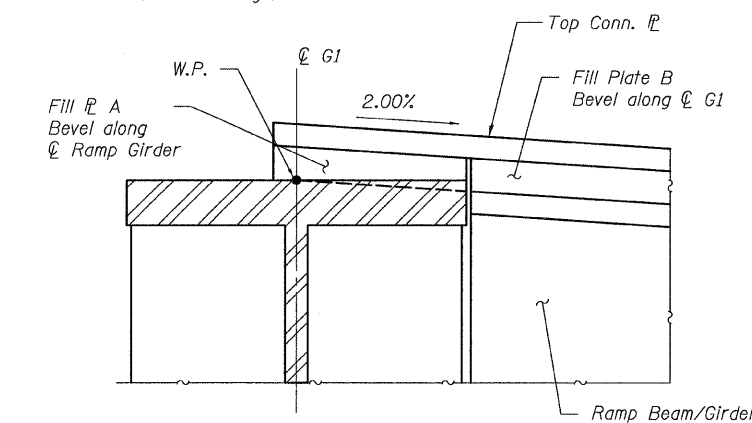
SECTION C-C



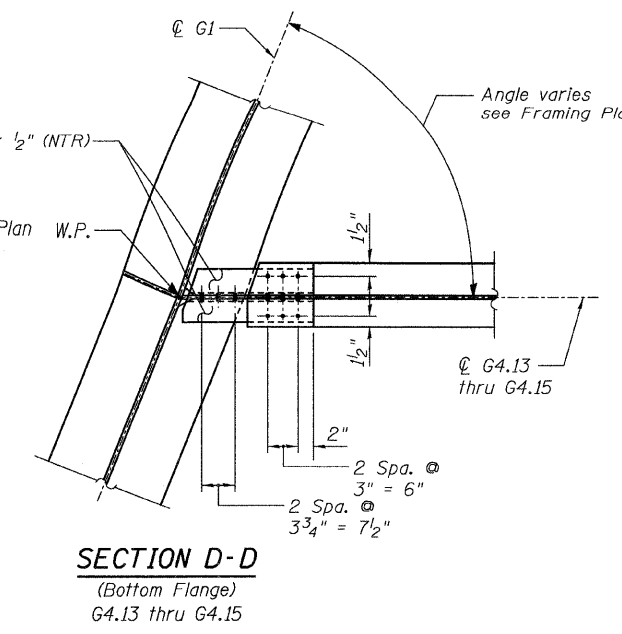
SECTION D-D
(Bottom Flange)
G4.9, G4.10, G4.10A



SECTION B-B
(Bottom Flange)



FILL PL DETAIL



SECTION D-D
(Bottom Flange)
G4.13 thru G4.15

NOTES:

- All steel shall be AASHTO M270 Grade 50.
- For Details 1 and 2 locations, see Sheet 97.
- F.C. - denotes Fracture Critical Material, AASHTO Zone II.
- Load carrying components designated "NTR" shall conform to the Supplemental Requirements for Notch Toughness, Zone 2.

CONNECTION DETAILS 1&2
RAMP 4 FLARE
STRUCTURE NO. 016-0724

TYLIN INTERNATIONAL

DESIGNED	EKH, JMA	REVISIONS	
CHECKED	AMD,	NAME	DATE
DRAWN	EKH, JMA		
CHECKED	AMD,		
DATE	03/25/2011		

SHEET NO. 179	F.A.I. RTE.	SECTION	COUNTY	TOTAL SHEETS	SHEET NO.
	55	0711.2R & 1011.1BR	COOK	741	503
239 SHEETS	CONTRACT NO. 60999				
FED. ROAD DIST. NO. 1 ILLINOIS FED. AID PROJECT					

5/9/2011