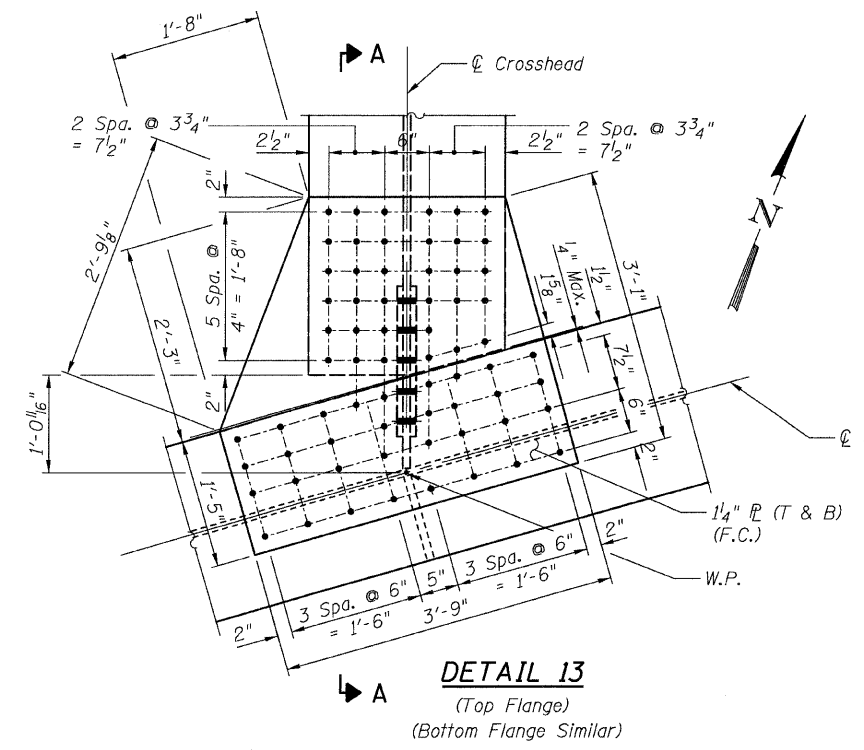
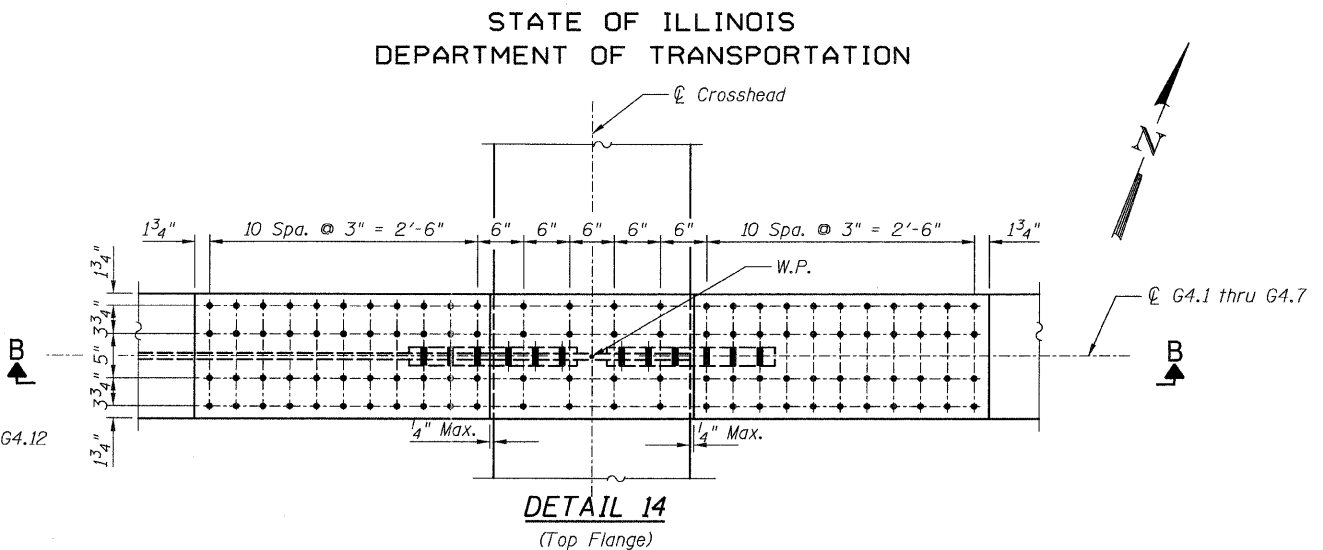


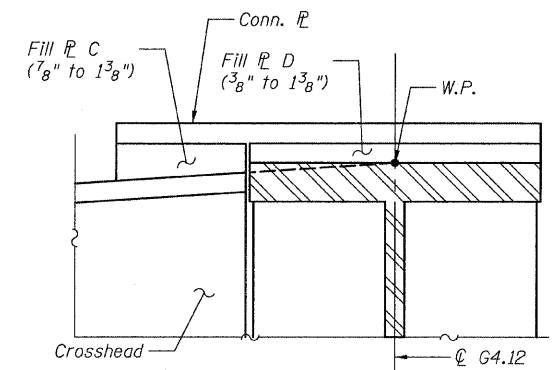
STATE OF ILLINOIS
DEPARTMENT OF TRANSPORTATION



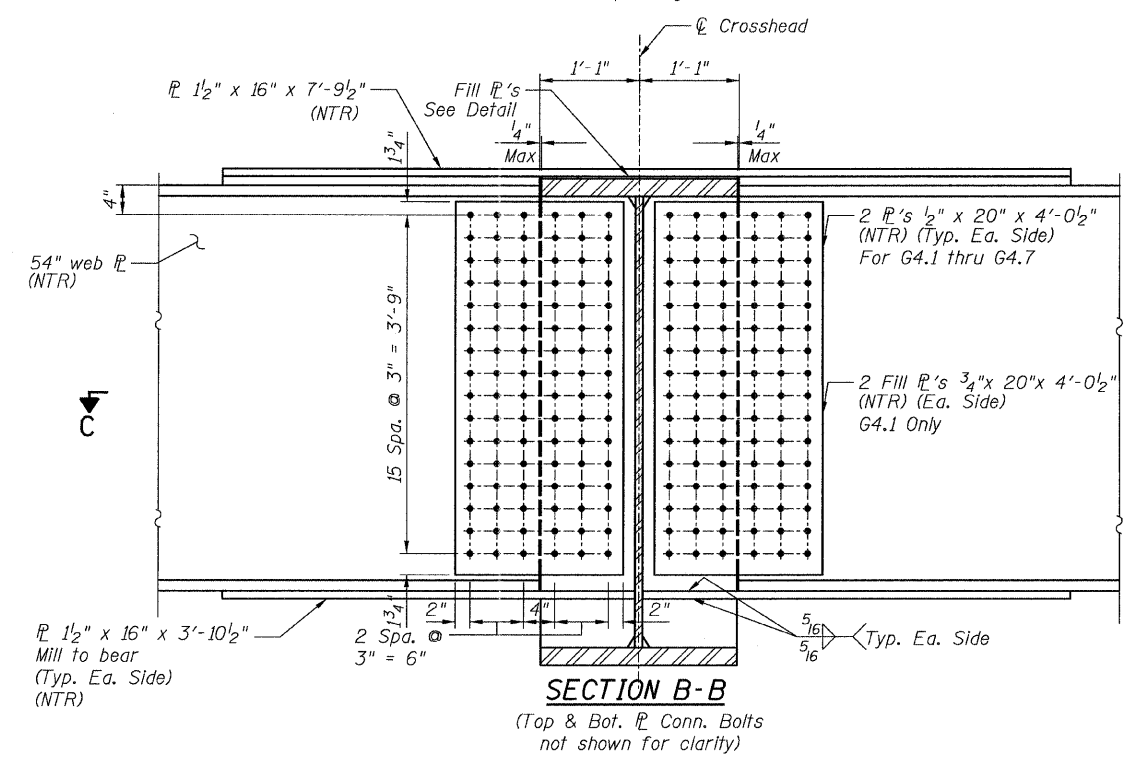
DETAIL 13
(Top Flange)
(Bottom Flange Similar)



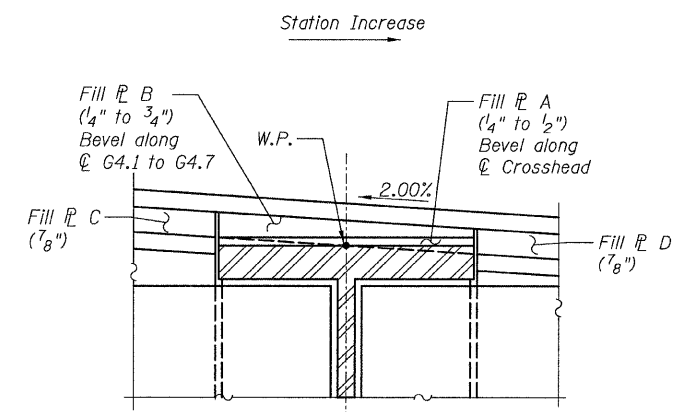
DETAIL 14
(Top Flange)



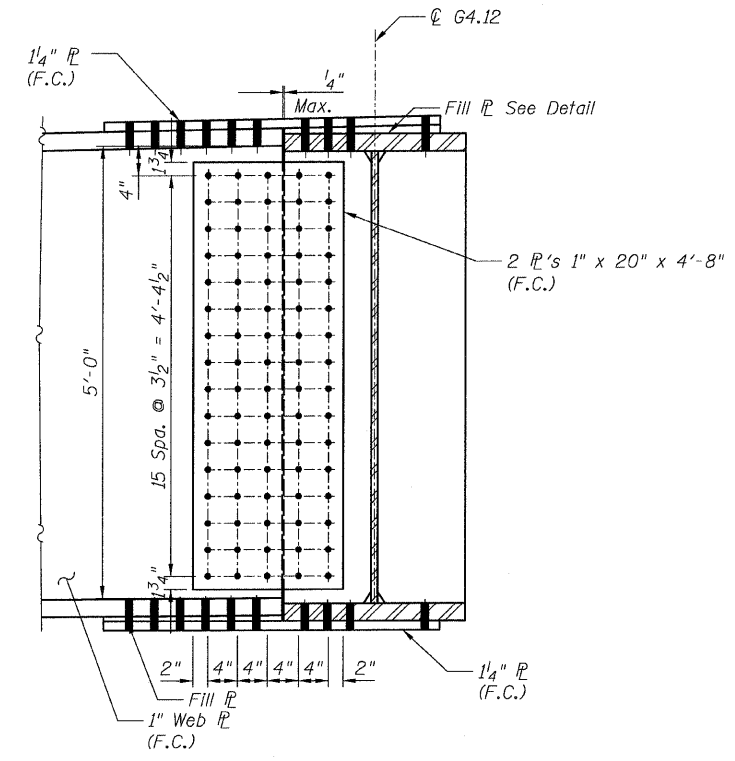
FILL P DETAIL G 4.12



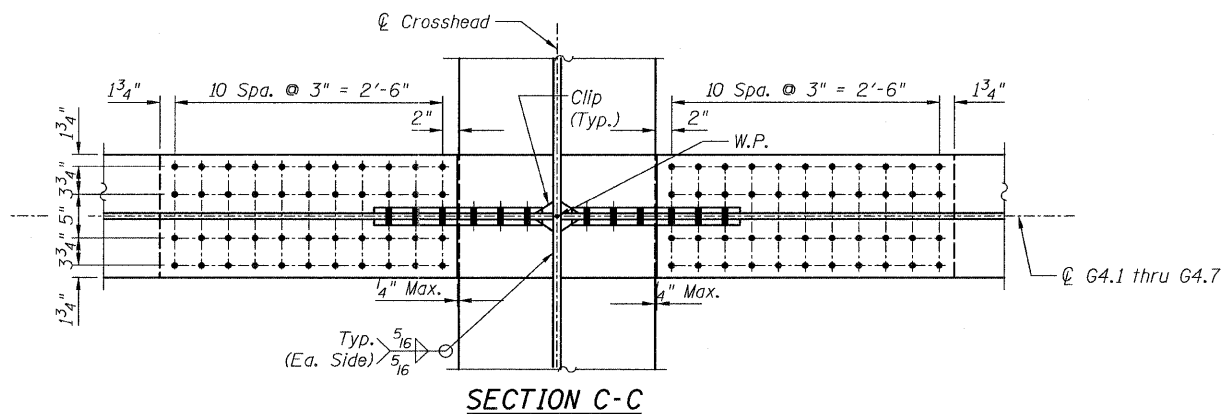
SECTION B-B
(Top & Bot. FR Conn. Bolts
not shown for clarity)



FILL P DETAIL



SECTION A-A



SECTION C-C

- NOTES:**
- All steel shall be AASHTO M270 Grade 50.
 - For Details 13 and 14 locations, see Sheet 97.
 - F.C. - denotes Fracture Critical Material, AASHTO Zone II.
 - Load carrying components designated "NTR" shall conform to the Supplemental Requirements for Notch Toughness, Zone 2.

CONNECTION DETAILS 13&14
RAMP 4 FLARE
STRUCTURE NO. 016-0724

TYLIN INTERNATIONAL	DESIGNED - EKH, JMA	REVISIONS		SHEET NO. 185	F.A.I. RTE.	SECTION	COUNTY	TOTAL SHEETS	SHEET NO.	
	CHECKED - AMD,	NAME	DATE		55	0711.2R & 1011.1BR	COOK	741	509	
	DRAWN - EKH, JMA				CONTRACT NO. 60999					
	CHECKED - AMD,				FED. ROAD DIST. NO. 1 ILLINOIS FED. AID PROJECT					
	DATE - 03/25/2011									

9:09:16 AM
p:\01345\structure\2 Central Ave. 016-0724\15554\Framed117.dwg
5/9/2011