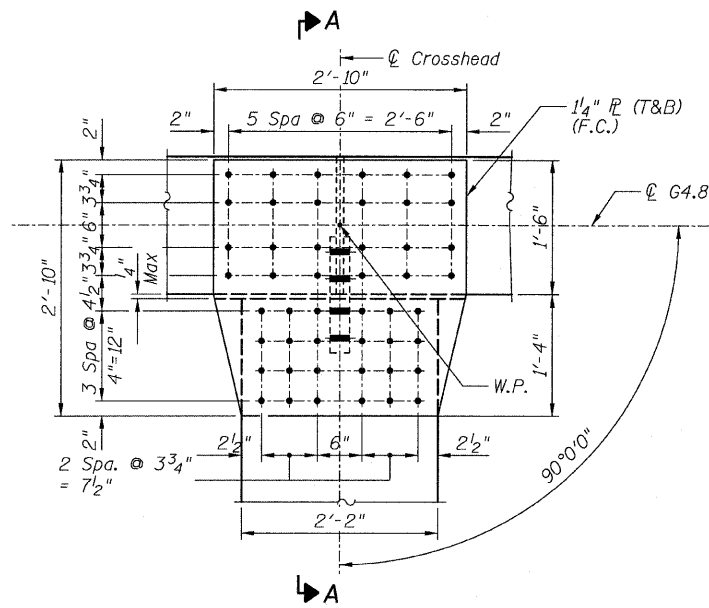
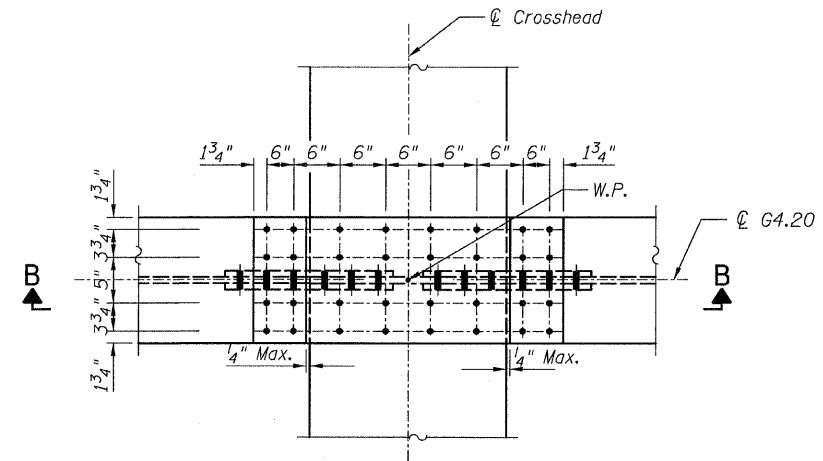


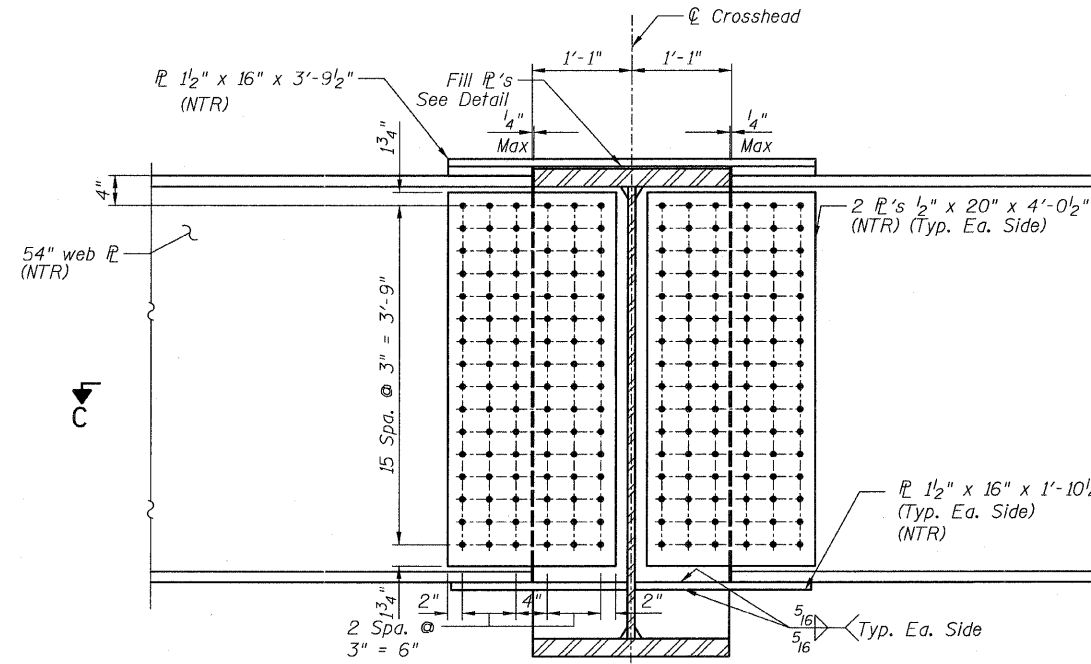
STATE OF ILLINOIS
DEPARTMENT OF TRANSPORTATION



DETAIL 15
(Top Flange)
(Bot. Flange Similar)

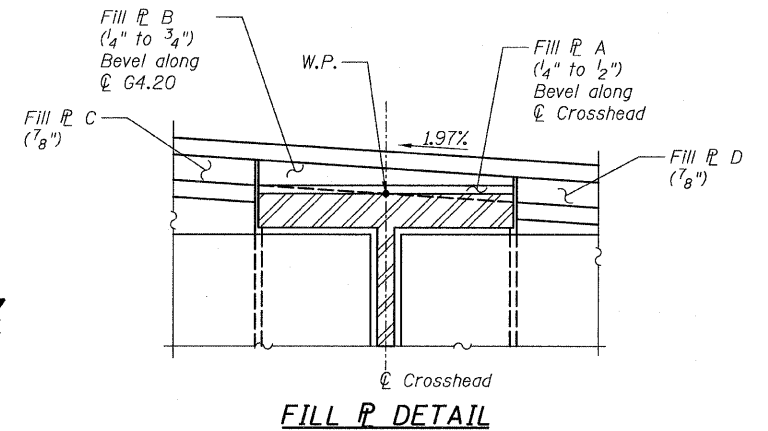


DETAIL 16
(Top Flange)



SECTION B-B

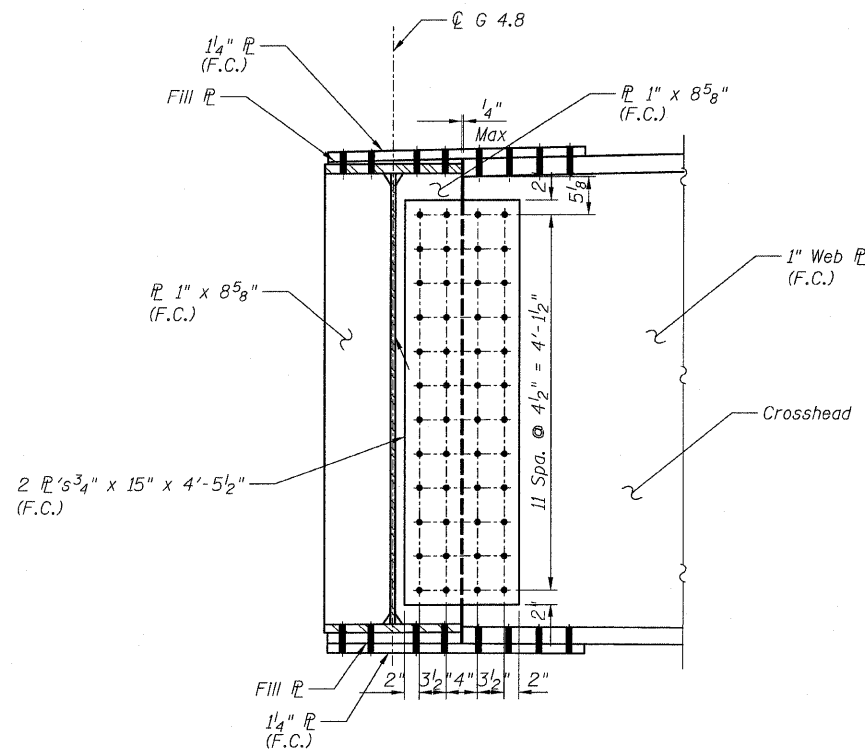
(Top & bottom connection bolts
not shown for clarity)



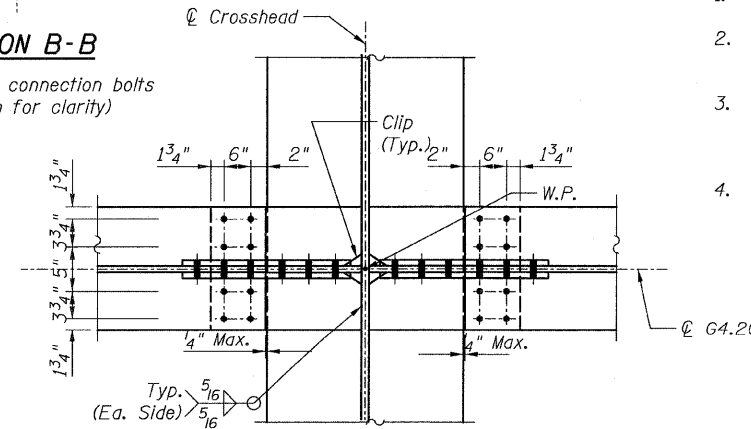
FILL P DETAIL

NOTES:

- For Details 15 and 16 locations, see Sheet 97.
- F.C. - denotes Fracture Critical Material, AASHTO Zone II.
- Load carrying components designated "NTR" shall conform to the Supplemental Requirements for Notch Toughness, Zone 2.
- Bolts for connection detail 15 shall be 1" φ with 1/16" holes.



SECTION A-A



SECTION C-C

CONNECTION DETAILS 15&16
RAMP 4 FLARE
STRUCTURE NO. 016-0724

TYLIN INTERNATIONAL

DESIGNED	EKH, JMA	REVISIONS	
CHECKED	AMD,	NAME	DATE
DRAWN	EKH, JMA		
CHECKED	AMD,		
DATE	03/25/2011		

SHEET NO. 186	F.A.I. RTE.	SECTION	COUNTY	TOTAL SHEETS	SHEET NO.
	55	0711.2R & 1011.1BR	COOK	741	510
239 SHEETS	CONTRACT NO. 60999				
FED. ROAD DIST. NO. 1 ILLINOIS FED. AID PROJECT					