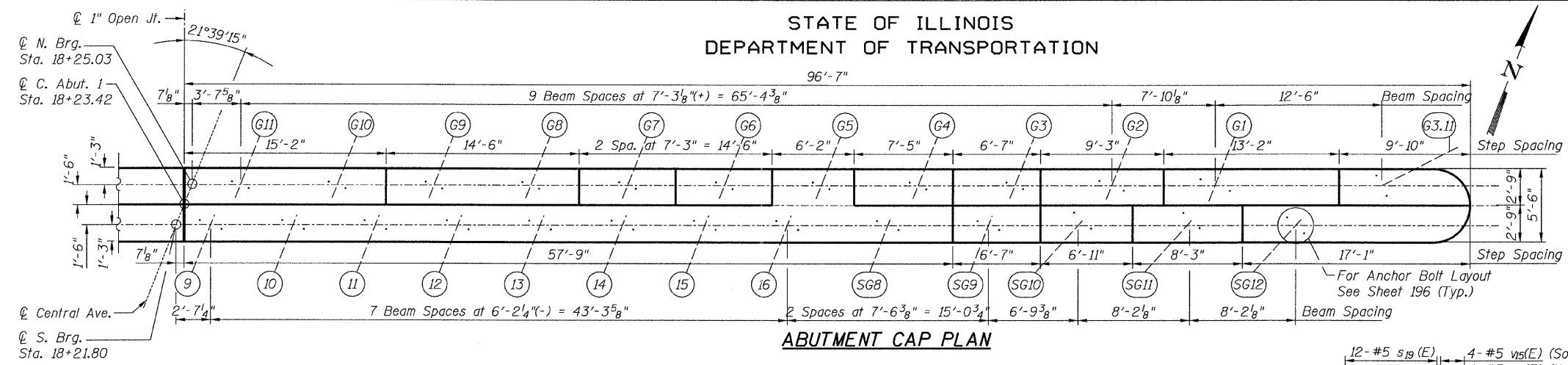


STATE OF ILLINOIS
DEPARTMENT OF TRANSPORTATION

NOTES

1. Work this sheet with sheets 194 to 196.
2. For notes see sheet 194.
3. For step reinforcement see sheet 195.



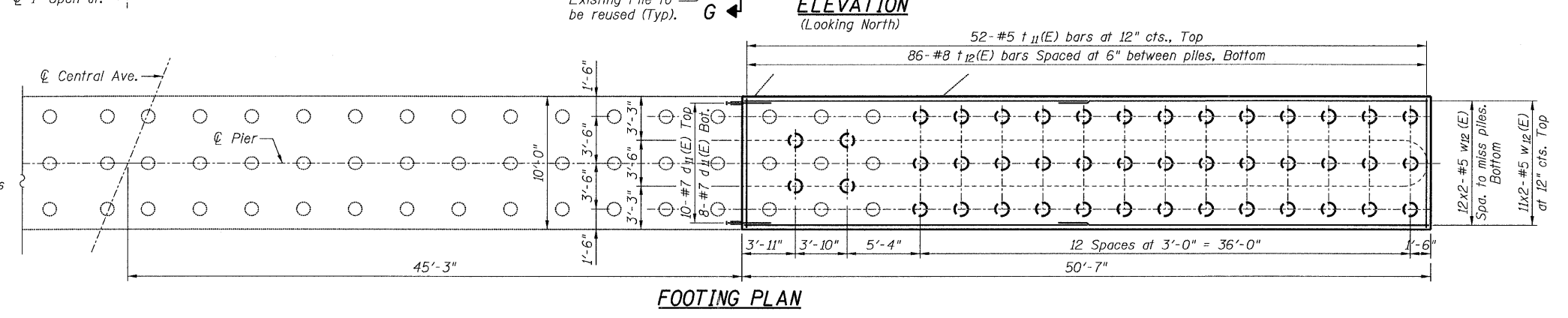
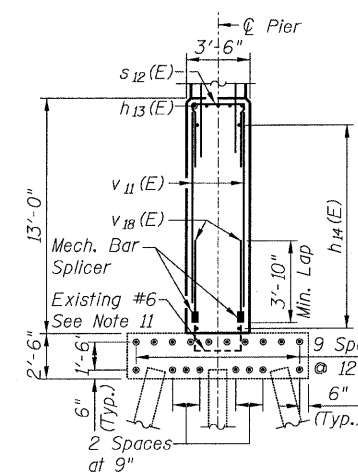
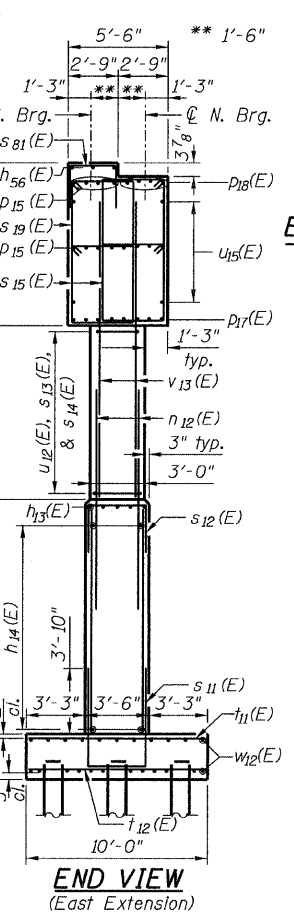
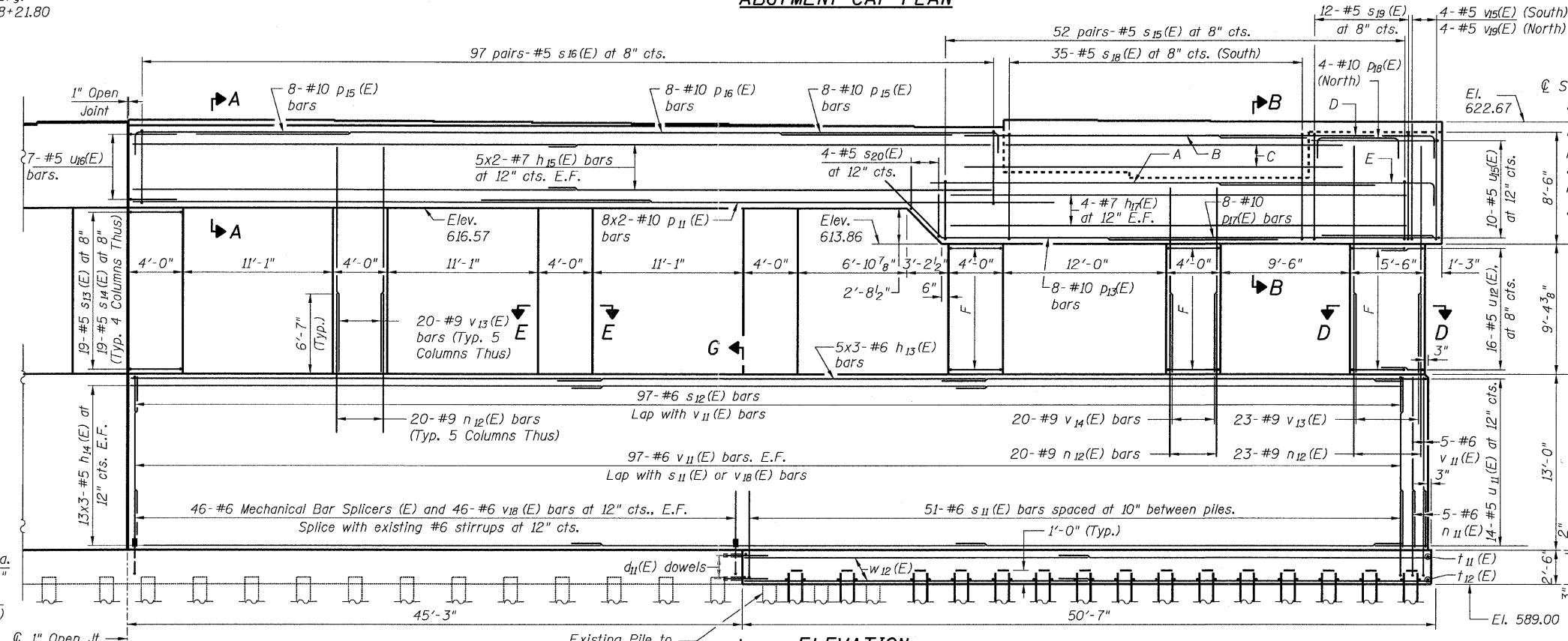
- * Cut to fit in field.
- A: 8-#10 p₁₁(E) bars
 - B: 4-#10 p₁₁(E) bars (South)
 - C: 3-#7 h₁₇(E) bars at 12", E.F. (South)
 - D: 4-#10 p₁₅(E) bars (South)
 - E: 8-#10 p₁₅(E) bars
 - F: 16-#5 s₁₃(E) bars at 8" 16-#5 s₁₄(E) bars at 8"

NORTH BRG.
BRIDGE SEAT
ELEVATIONS

Girder Line	Seat Elevation
G11	623.25
G10	623.25
G9	623.14
G8	623.14
G7	623.08
G6	623.00
G5	622.91
G4	622.83
G3	622.75
G2	619.52
G1	619.11
G3.11	622.35

SOUTH BRG.
BRIDGE SEAT
ELEVATIONS

Girder Line	Seat Elevation
9	622.91
10	622.91
11	622.91
12	622.91
13	622.91
14	622.91
15	622.91
16	622.91
SG8	622.91
SG9	622.85
SG10	622.93
SG11	622.85
SG12	622.67



PILE DATA

Type: 12" φ x 0.25" Wall
Nominal Required Bearing: 270 kips
Allowable Resistance Available: 90 kips
Estimated Length: 48 ft
No. Production Piles: 42
No. Test Piles: 1

- Proposed Pile
- Existing Pile

C. ABUT. 1 REPL. & WID.-EAST
CENTRAL/I-55
STRUCTURE NO. 016-0724

TYLIN INTERNATIONAL	DESIGNED - MB	REVISIONS		SHEET NO. 193	F.A.I. RTE.	SECTION	COUNTY	TOTAL SHEETS	SHEET NO.	
	CHECKED - AMD,	NAME	DATE		55	0711.2R & 1011.1BR	COOK	741	517	
	DRAWN - MB				239 SHEETS	CONTRACT NO. 60999				
	CHECKED - AMD,					FED. ROAD DIST. NO. 1 ILLINOIS FED. AID PROJECT				
	DATE - 03/25/2011									

5/9/2011
 P:\01345\structure\2_Central Ave. 016-0724\5502abut1.ead