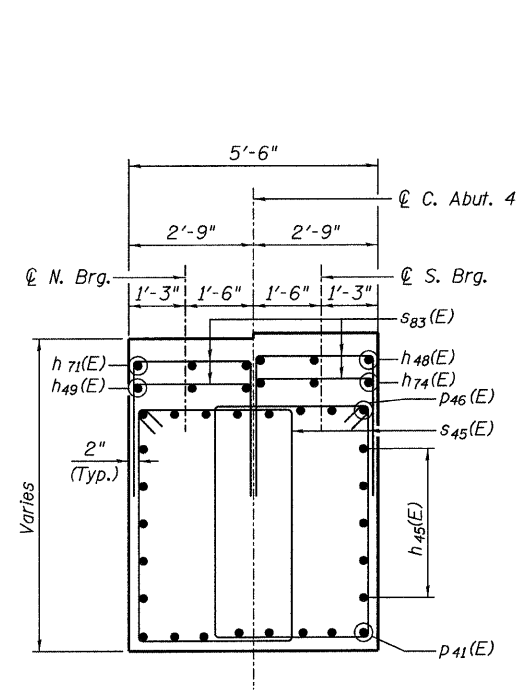
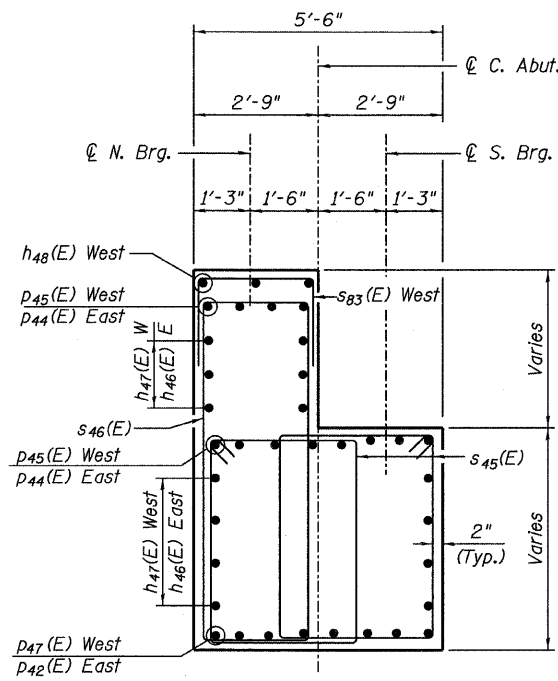


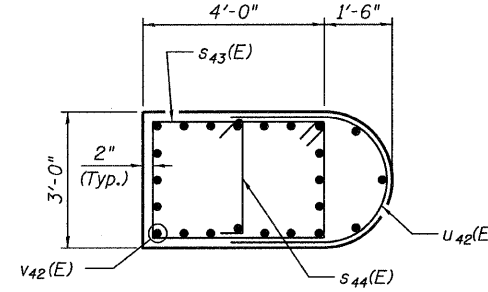
STATE OF ILLINOIS
DEPARTMENT OF TRANSPORTATION



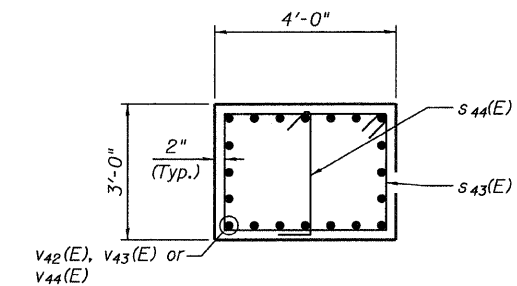
SECTION A-A
(West shown, East similar)



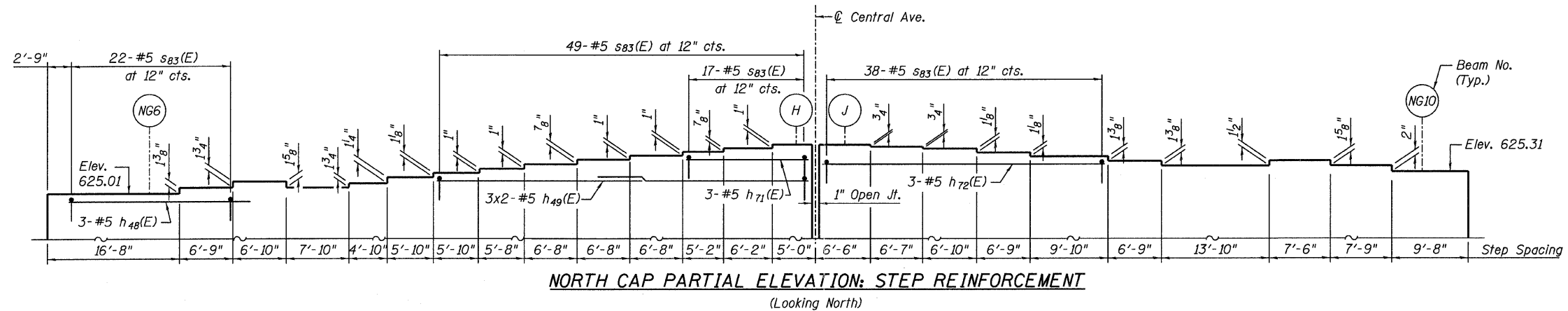
SECTION B-B
(West shown, East similar)



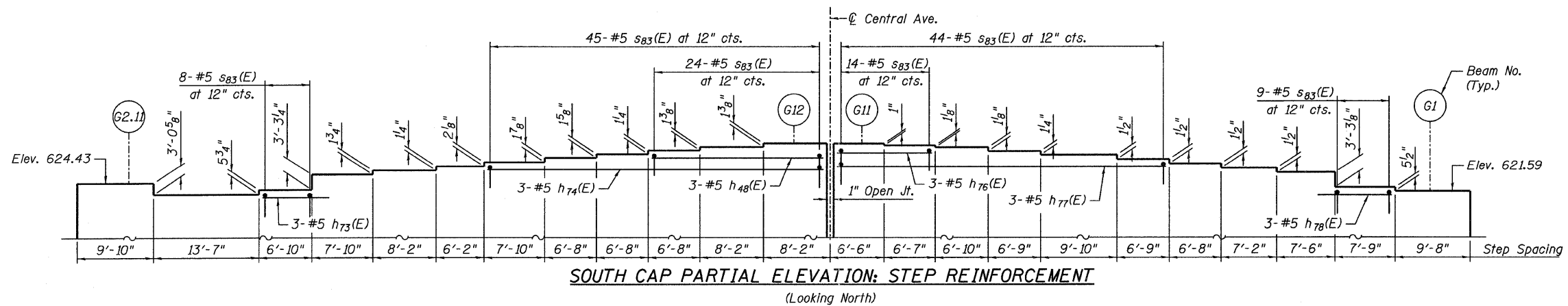
SECTION C-C



SECTION D-D



NORTH CAP PARTIAL ELEVATION: STEP REINFORCEMENT
(Looking North)



SOUTH CAP PARTIAL ELEVATION: STEP REINFORCEMENT
(Looking North)

NOTES

1. Work this sheet with sheets 203, 204 & 206.

C. ABUT. 4 - DETAILS
CENTRAL/I-55
STRUCTURE NO. 016-0724

| | | | | | | | | | | |
|----------------------------|-------------------|-----------|------|---------------|-------------|---|--------|--------------|-----------|--|
| TYLIN INTERNATIONAL | DESIGNED - MB | REVISIONS | | SHEET NO. 205 | F.A.I. RTE. | SECTION | COUNTY | TOTAL SHEETS | SHEET NO. | |
| | CHECKED - AMD, | NAME | DATE | | 55 | 0711.2R & 1011.1BR | COOK | 741 | 529 | |
| | DRAWN - MB | | | | 239 SHEETS | CONTRACT NO. 60999 | | | | |
| | CHECKED - AMD, | | | | | FED. ROAD DIST. NO. 1 ILLINOIS FED. AID PROJECT | | | | |
| | DATE - 03/25/2011 | | | | | | | | | |