

STATE OF ILLINOIS
DEPARTMENT OF TRANSPORTATION

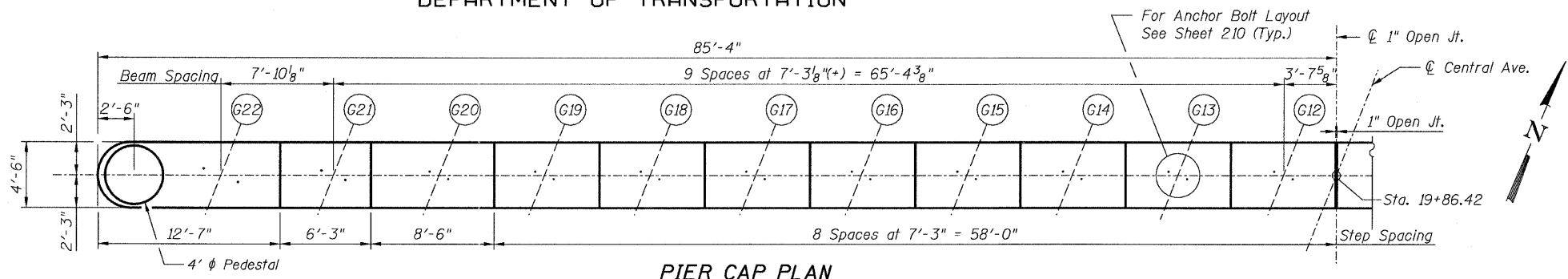
BRIDGE SEAT
ELEVATIONS

NOTES

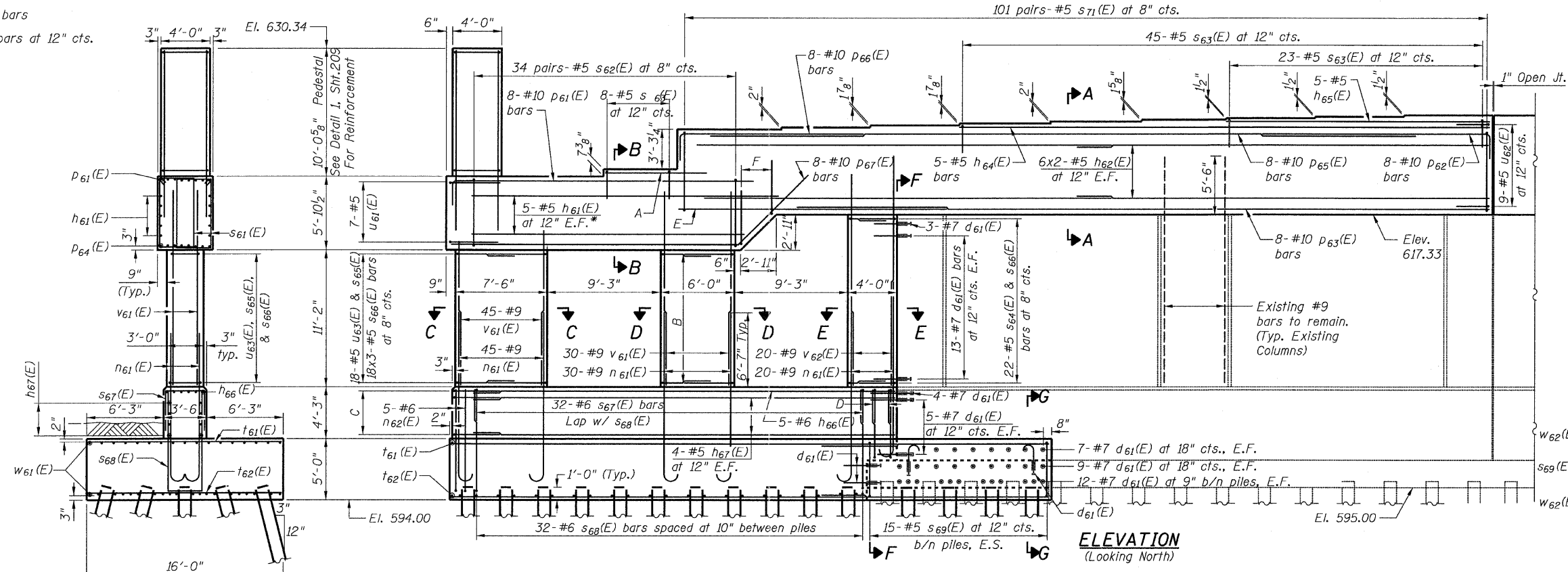
1. Work this sheet with sheets 207, 209 & 210.
2. For notes see sheet 207.

* Cut to fit in field

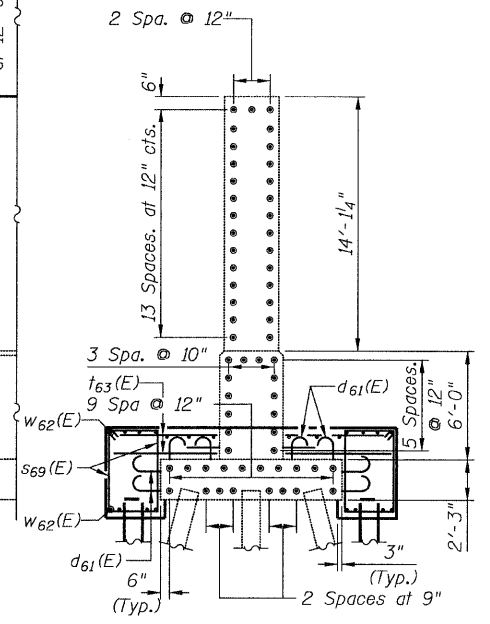
- A: 5-#5 h₆₃(E) at 12"
 B: 18-#5 s₆₅(E) bars at 8"
 18x2-#5 s₆₆(E) bars at 8" cts.
 C: 5-#5 u₆₄(E) at 12" cts.
 D: 3-#6 s₆₇(E) pairs at 12" cts.
 E: 8-#10 p₆₄(E) bars
 F: 4-#5 s₇₂(E) bars at 12" cts.



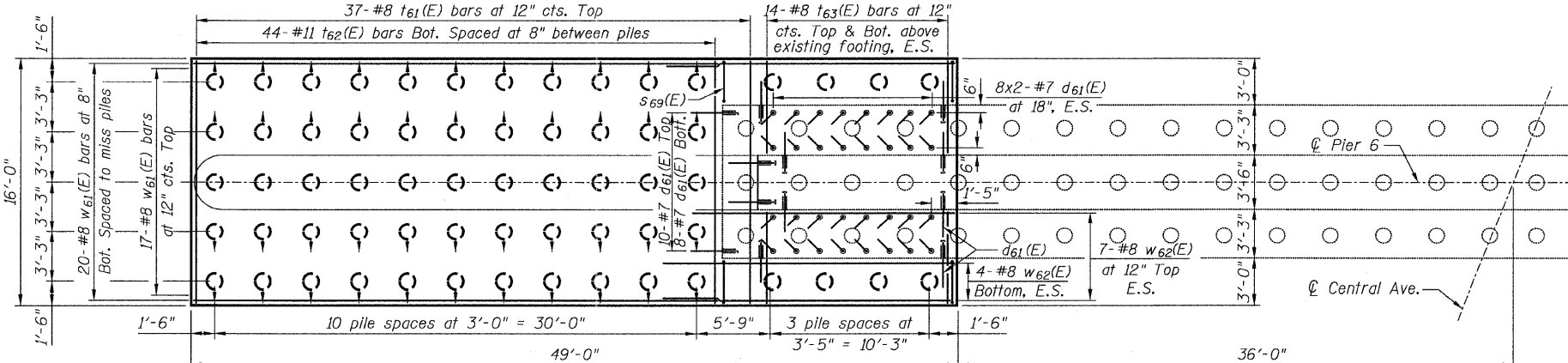
PIER CAP PLAN



ELEVATION
(Looking North)



SECTION F-F
(West Extension)



FOOTING PLAN

END VIEW
(East Extension)

PILE DATA

Type: 12" φ x 0.25" Wall
 Nominal Required Bearing: 270 kips
 Allowable Resistance Available: 90 kips
 Estimated Length: 52 ft
 No. Production Piles: 62
 No. Test Piles: 1

- Proposed Pile
- Proposed Battered Pile
- Existing Pile

PIER 6 WIDENING - WEST
CENTRAL/I-55
STRUCTURE NO. 016-0724

| | | | | | | | | | |
|--|-----------------------------|--|---------------------------------|--------------------------------|-------------------------------|------------------|---------------------|------------------|--|
| TYLIN INTERNATIONAL DESIGNED - MB CHECKED - AMD, DRAWN - MB CHECKED - AMD, DATE - 03/25/2011 | REVISIONS NAME DATE | | SHEET NO. 208 239 SHEETS | F.A.I. RTE. 55 | SECTION 0711.2R & 1011.1BR | COUNTY COOK | TOTAL SHEETS 741 | SHEET NO. 532 | |
| | | | | CONTRACT NO. 60999 | | | | | |
| | | | | FED. ROAD DIST. NO. 1 ILLINOIS | | FED. AID PROJECT | | | |
| | | | | | | | | | |

91507 AM
 pi:\01345\structure\2 Central Ave. 016-0724\1552\pier6w.dwg
 5/9/2011