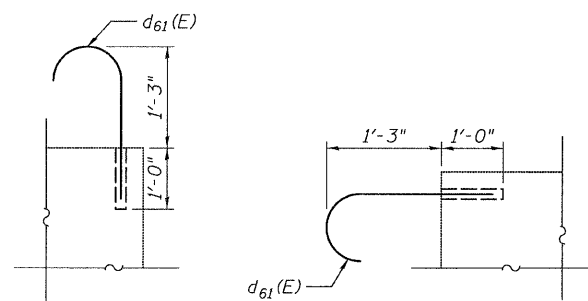
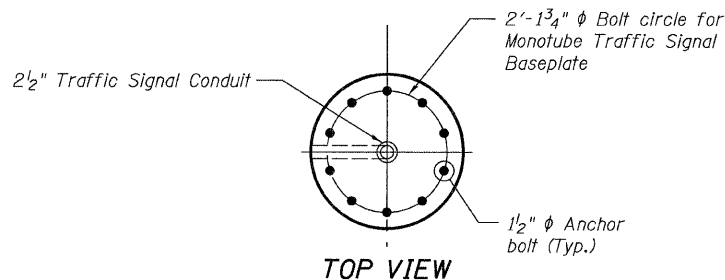


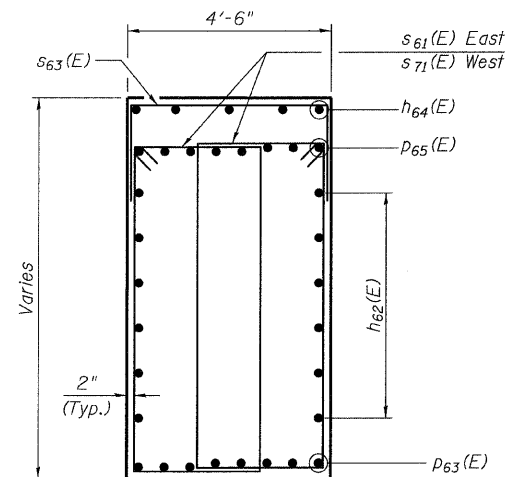
STATE OF ILLINOIS
DEPARTMENT OF TRANSPORTATION

NOTES

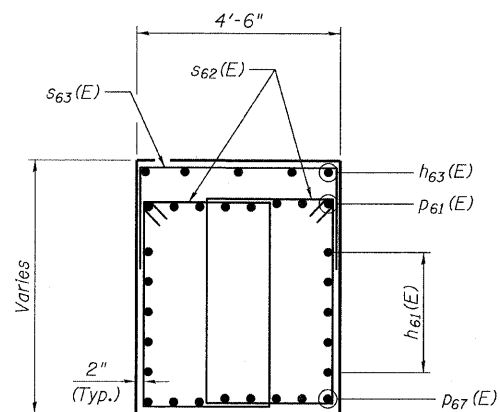
1. Work this sheet with sheets 207, 208 & 210.



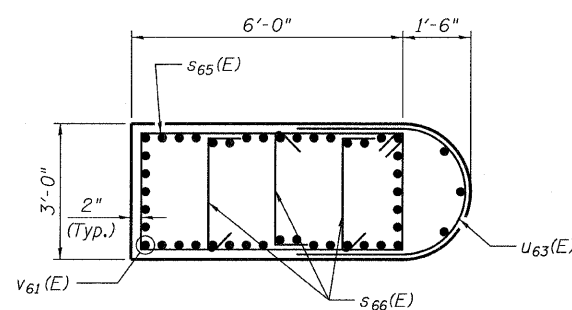
DOWEL BAR EMBEDMENT DETAIL



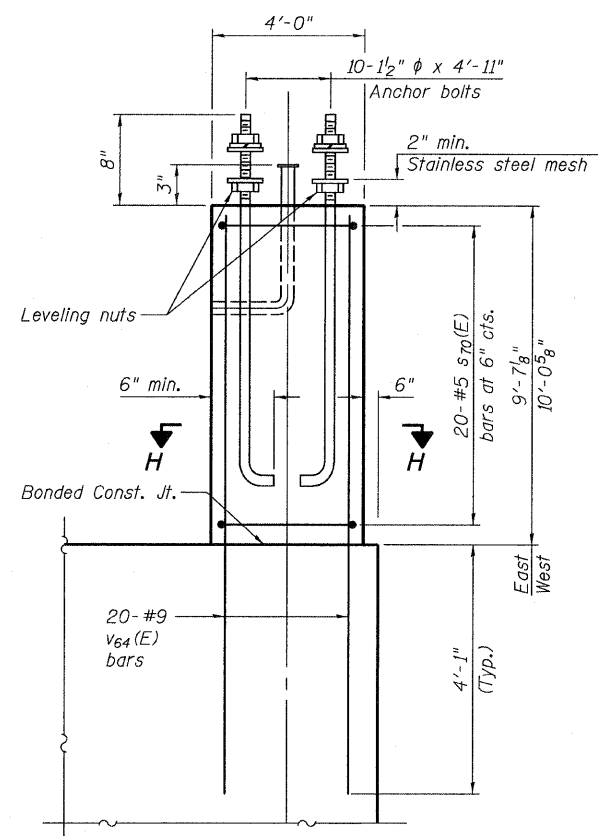
SECTION A-A



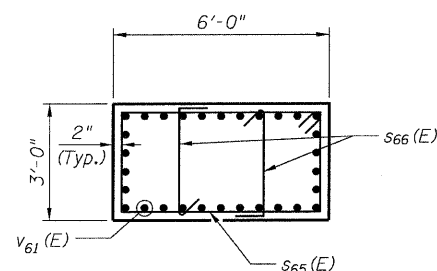
SECTION B-B



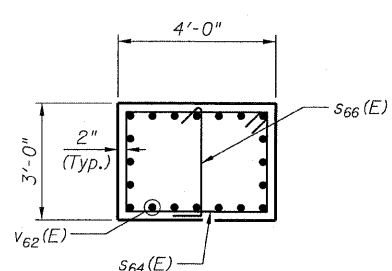
SECTION C-C



DETAIL 1

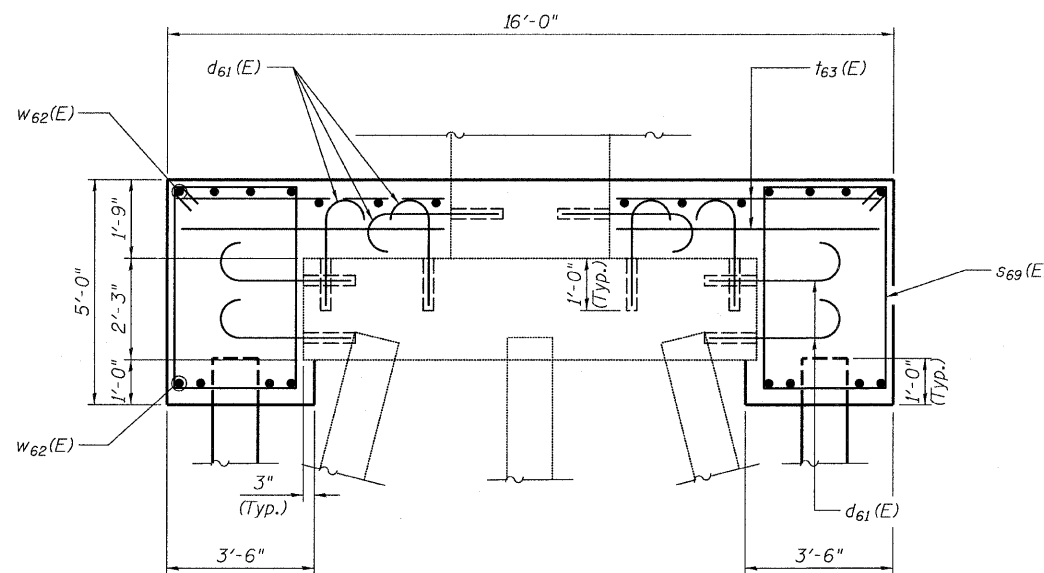


SECTION D-D

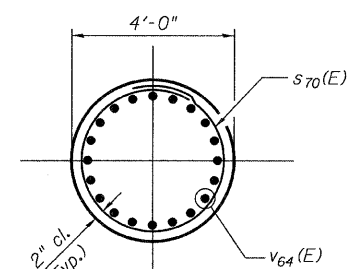


SECTION E-E

(Existing Column not shown)



SECTION G-G



SECTION H-H

PIER 6 - DETAILS 1
CENTRAL/I-55
STRUCTURE NO. 016-0724

TYLIN INTERNATIONAL	DESIGNED - MB	REVISIONS		SHEET NO. 209	F.A.I. RTE.	SECTION	COUNTY	TOTAL SHEETS	SHEET NO.	
	CHECKED - AMD,	NAME	DATE		55	0711.2R & 1011.1BR	COOK	741	533	
	DRAWN - MB				239 SHEETS	CONTRACT NO. 60999				
	CHECKED - AMD,					FED. ROAD DIST. NO. 1 ILLINOIS FED. AID PROJECT				
	DATE - 03/25/2011									

9:15:08 AM
p:\01345\structure\C2 Central Ave. 016-0724\55c2p6r6dt1.dgn
5/9/2011