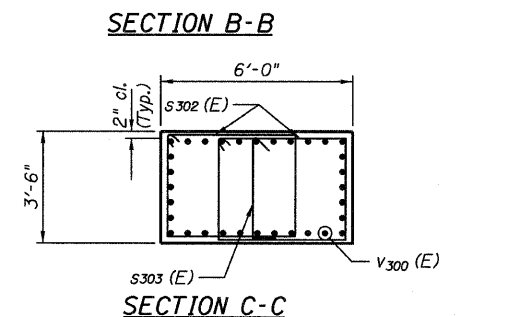
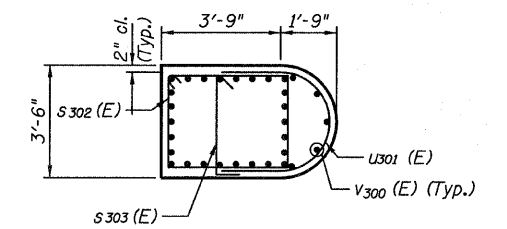
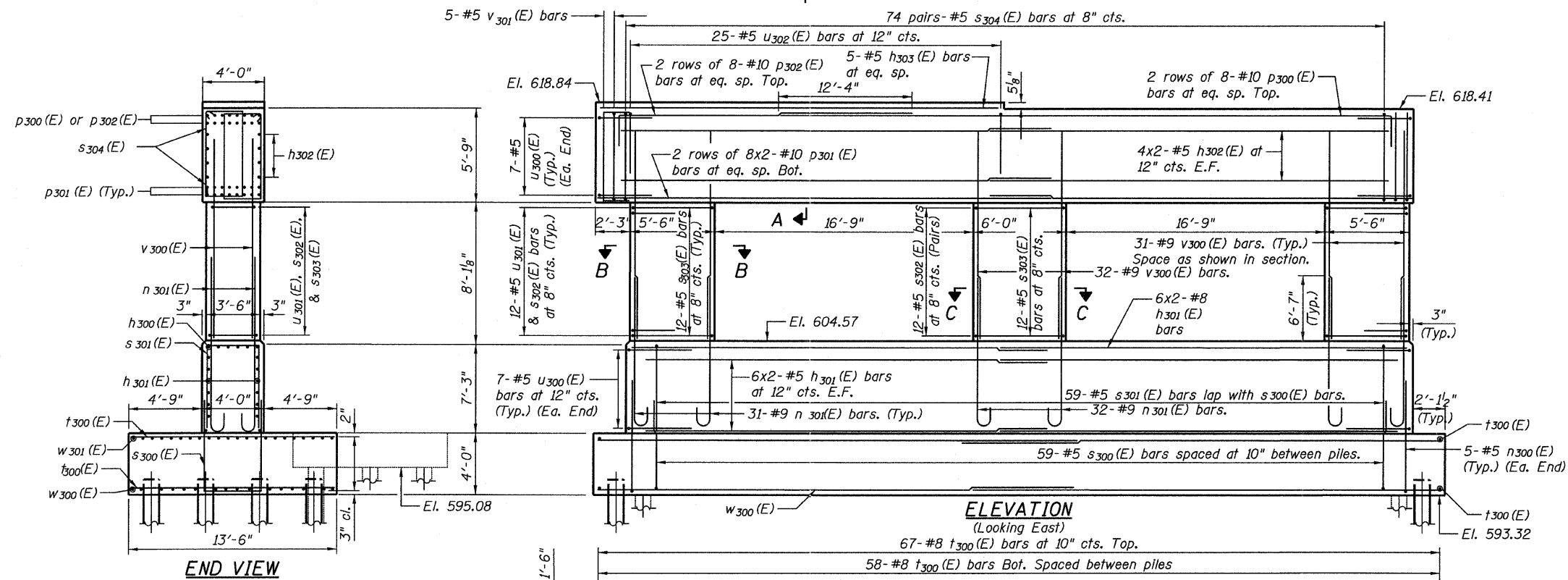
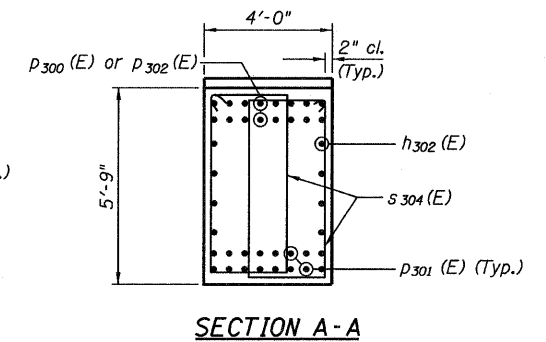
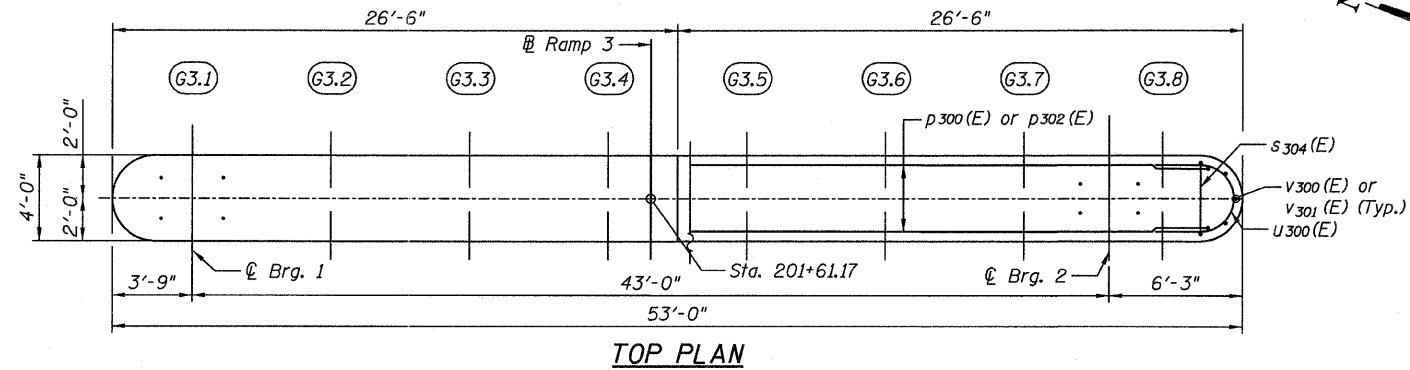


STATE OF ILLINOIS
DEPARTMENT OF TRANSPORTATION

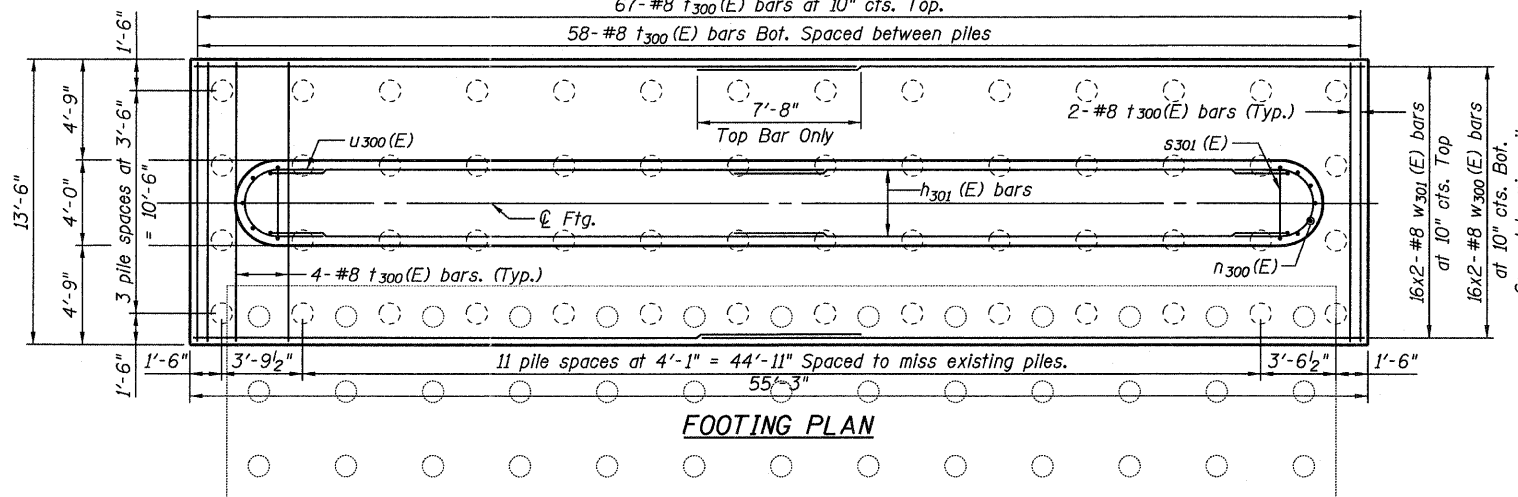
NOTES

1. Bars indicated thus 7x2-#11 indicates 7 lines of bars with two lengths per line.
2. Space reinforcement in cap to miss anchor bolts.
3. Space reinforcement in footing to miss piles.
4. Pour steps monolithically with cap.
5. For Bill of Materials, see sheet 219.
6. E.F - denotes Each Face.



PILE DATA

Type: 12" ϕ x 0.25" wall
 Nominal Required Bearings: 270 kips
 Allowable Resistance Available: 90 kips
 Estimated Length: 42'
 No. Production Piles: 55
 No. Test Piles: 1



MINIMUM BAR LAPS

(Unless Noted Otherwise)

Bar Size	Min. Lap
#5	3'-3"
#7	5'-2"
#8	6'-9"
#10	10'-10"

**RAMP 3 PIER
STRUCTURE NO. 016-0724**

TYLIN INTERNATIONAL	DESIGNED - EKH	REVISIONS		SHEET NO. 218	F.A.I. RTE.	SECTION	COUNTY	TOTAL SHEETS	SHEET NO.
	CHECKED - AMD,	NAME	DATE		55	0711.2R & 1011.1BR	COOK	741	542
	DRAWN - EKH				239 SHEETS	CONTRACT NO. 60999			
	CHECKED - AMD,					FED. ROAD DIST. NO. 1 ILLINOIS FED. AID PROJECT			
	DATE - 03/25/2011								

11:17:28 PM

pi:\01345\structure\2 Central Ave. 016-0724\155-3piern2.dwg