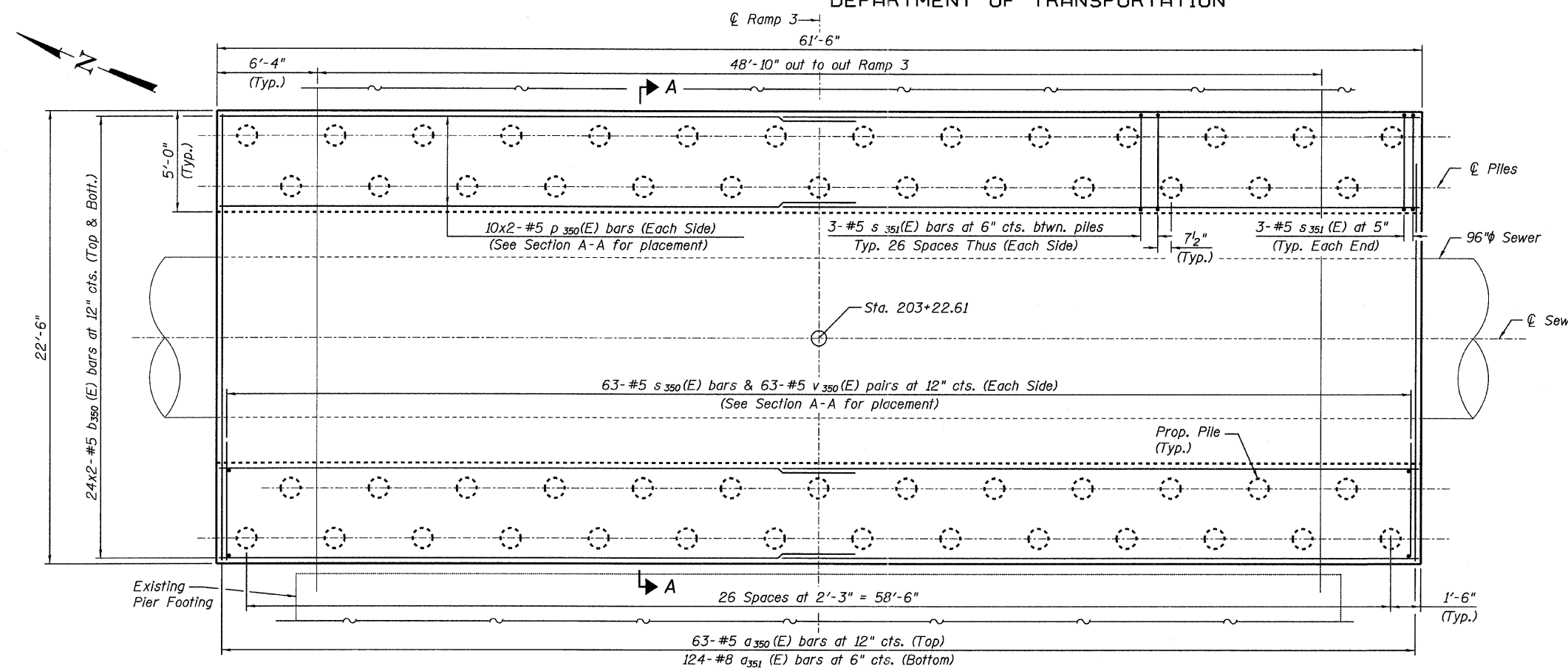
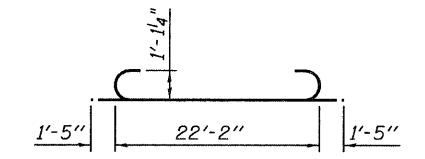


STATE OF ILLINOIS
DEPARTMENT OF TRANSPORTATION

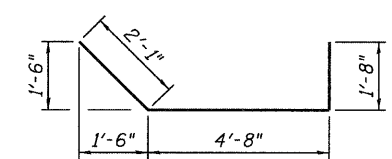
BILL OF MATERIAL



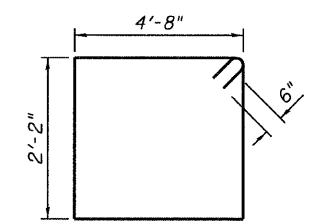
Bar	No.	Size	Length	Shape
a ₃₅₀ (E)	63	#5	22'-2"	—
a ₃₅₁ (E)	124	#8	25'-0"	—
b ₃₅₀ (E)	96	#5	32'-5"	—
p ₃₅₀ (E)	40	#5	32'-5"	—
s ₃₅₀ (E)	126	#5	8'-5"	—
s ₃₅₁ (E)	168	#5	14'-8"	—
v ₃₅₀ (E)	252	#5	3'-0"	—
Driving Piles			Foot	2,120
Furnishing Metal Shell Piles, 12"x0.25"			Foot	2,120
Concrete Structures			Cu. Yd.	248.3
Reinforcement Bars, Epoxy Coated			Pound	18,800
Structure Excavation			Cu. Yd.	370
Test Pile Metal Shells			Each	1



BAR a₃₅₁(E)



BAR s₃₅₀(E)



BAR s₃₅₁(E)

PLAN

PILE DATA

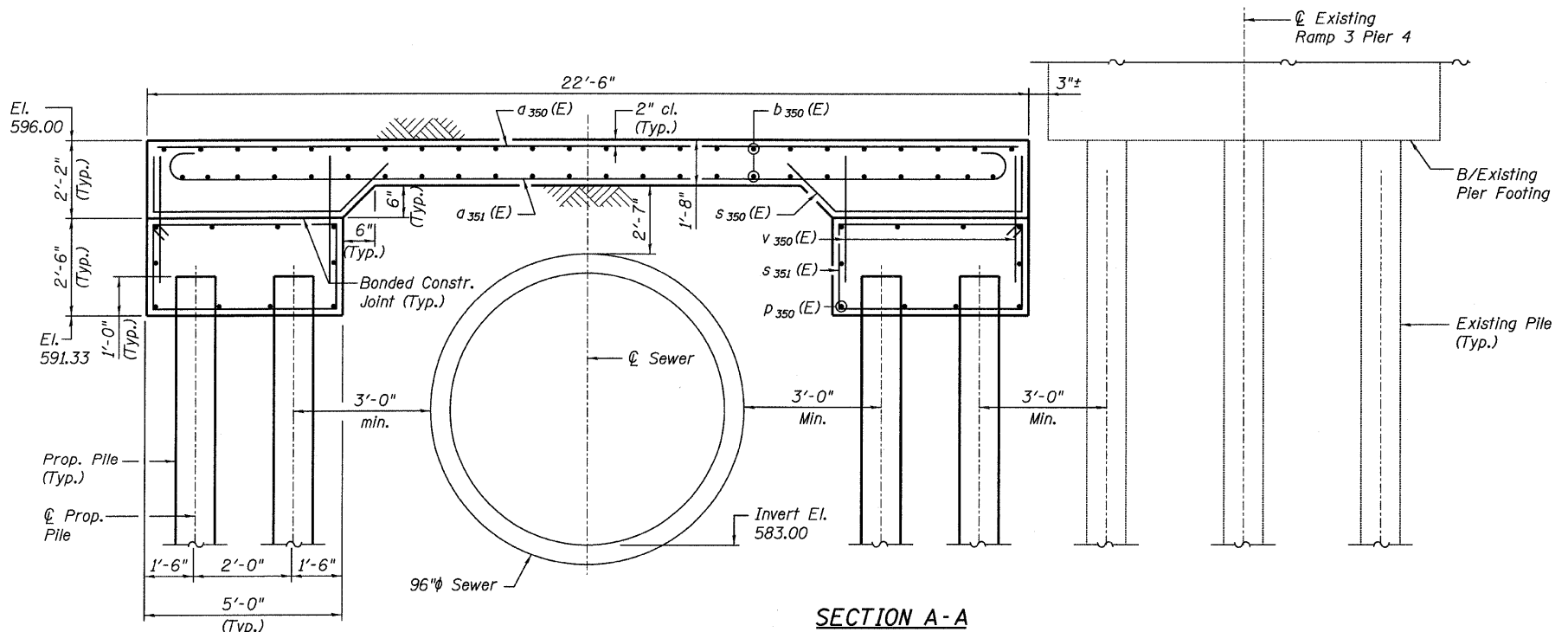
Type: Metal Shell
12" φ x 0.25" wall.
Nominal Required Bearing: 270 kips
Factored Resistance Available: 90 kips
Est. Length: 40'-0"
No. Production Piles: 53 Piles
No. Test Piles: 1 Test Pile.

MIN. LAP LENGTH

#5 3'-8"

NOTES

- Load Capacity: The pipe protection structure, as depicted in Section A-A, is designed to support the:
 - Self-weight of the concrete structure, plus
 - Earth backfill of approximately 21'-3".
 - A uniformly distributed construction live load of 1,000 psf.



SECTION A-A

RAMP 3 SEWER PROTECTION SLAB
STRUCTURE NO. 016-1306

TYLIN INTERNATIONAL	DESIGNED - CBS	REVISIONS		SHEET NO. 7 9 SHEETS	F.A.I. RTE.	SECTION	COUNTY	TOTAL SHEETS	SHEET NO.	
	CHECKED - AMD	NAME	DATE		55	0711.2R & 1011.1BR	COOK	741	590	
	DRAWN - CBS				CONTRACT NO. 60999					
	CHECKED - AMD,				FED. ROAD DIST. NO. 1 ILLINOIS FED. AID PROJECT					
	DATE - 03/25/2011									

9:15:15 AM
p:\01345\structure\02_Central_Ave_016-0724\155-3sewerlabdan