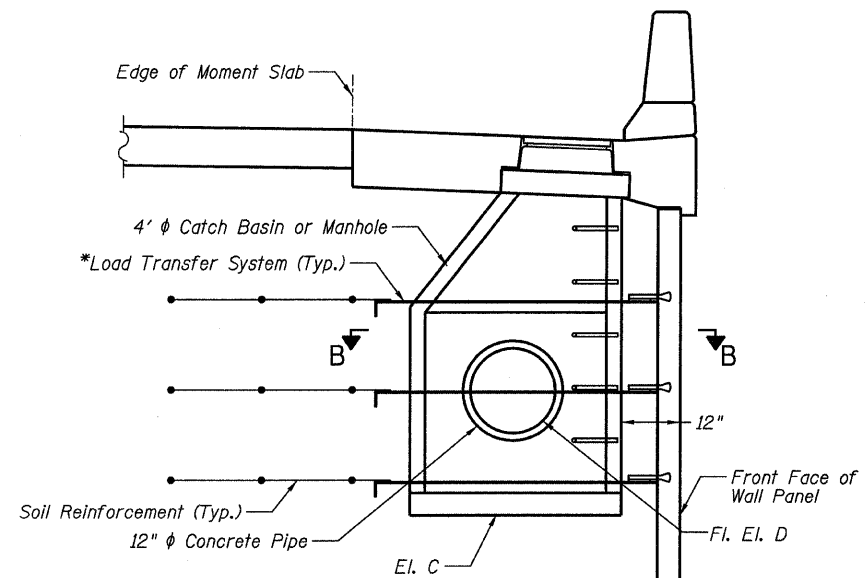
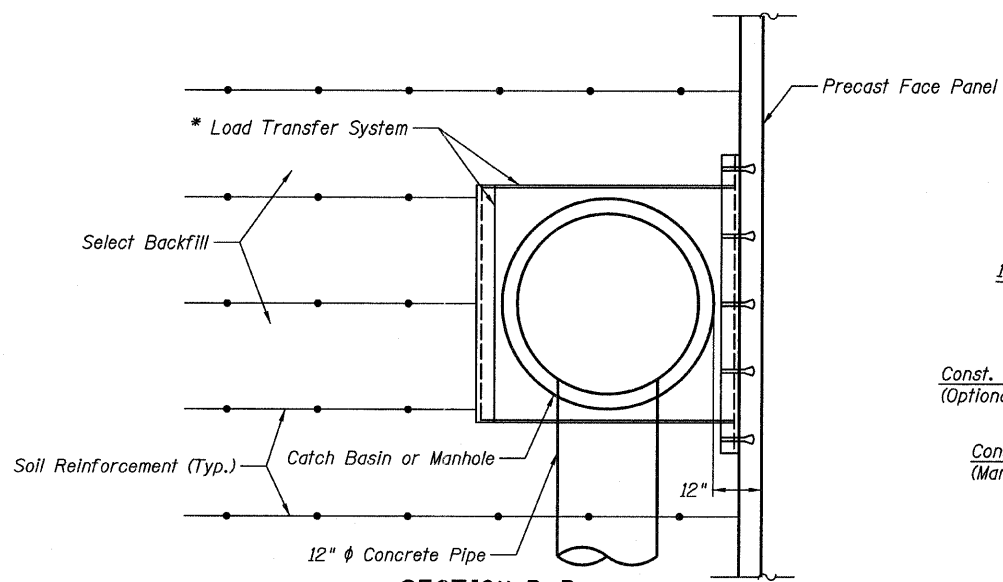


STATE OF ILLINOIS
DEPARTMENT OF TRANSPORTATION

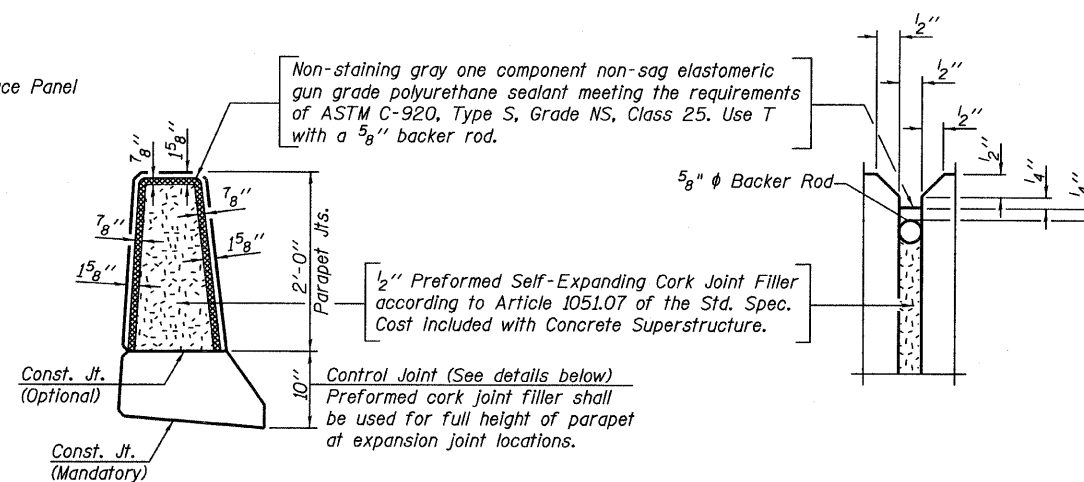


SECTION A-A

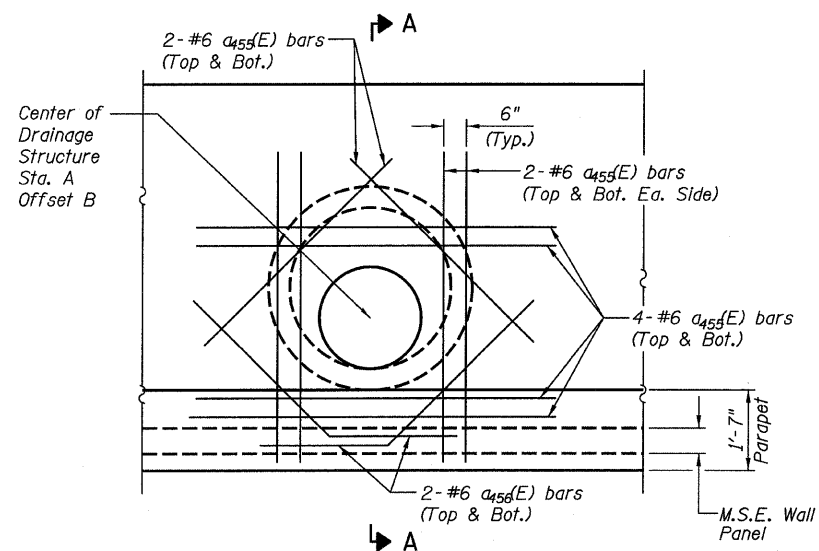
Note:
*M.S.E. supplier to design load transfer system to accommodate concrete pipe and catch basin/manhole.



SECTION B-B



PARAPET JOINT DETAILS

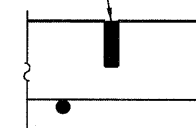


PLAN AT CATCH BASIN OR MANHOLE

DRAINAGE STRUCTURE TABLE

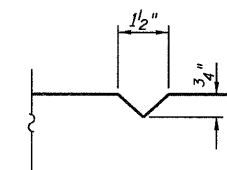
Type	Center Sta. A	Center Offset B	El. C	Fl. El. D
Catch Basin	402+99.84	23.51' Lt	615.57	619.07
Manhole	403+75.60	23.52' Lt	616.75	617.42
Manhole	404+31.46	23.47' Lt	615.25	615.92

1/4" wide x 1/2" deep sawed joint filled with hot poured sealant in accordance with Article 1050 of Standard Specifications.



SAWED CONTRACTION JOINT DETAIL - SLAB

(Cost Included with Concrete Structures)



CONTROL JOINT DETAIL - PARAPET

RAMP 4 MOMENT SLAB
DETAILS
STRUCTURE NO. 016-1307

TYLIN INTERNATIONAL

DESIGNED - EKH
CHECKED - AMD,
DRAWN - EKH
CHECKED - AMD,
DATE - 03/25/2011

REVISIONS

NAME DATE

SHEET NO. 7

11 SHEETS

F.A.I RTE.	SECTION	COUNTY	TOTAL SHEETS	SHEET NO.
55	0711.2R & 1011.1BR	COOK	741	599
CONTRACT NO. 60999				
FED. ROAD DIST. NO. 1 ILLINOIS FED. AID PROJECT				

4/28/2011