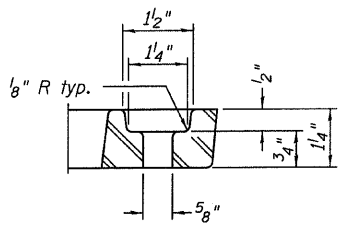
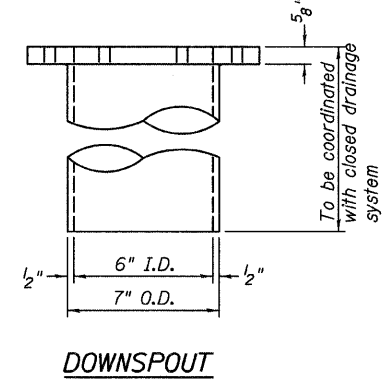
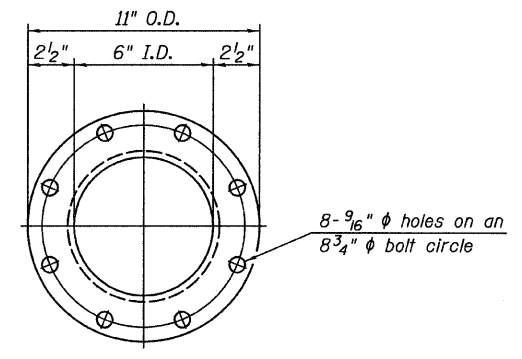
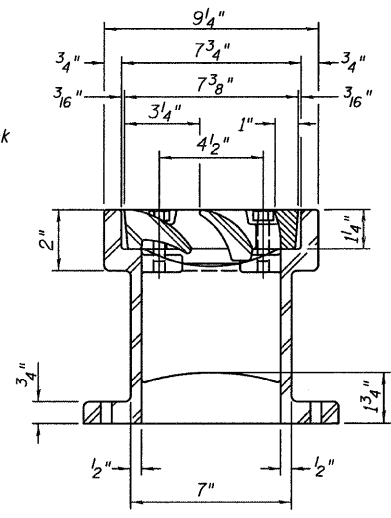
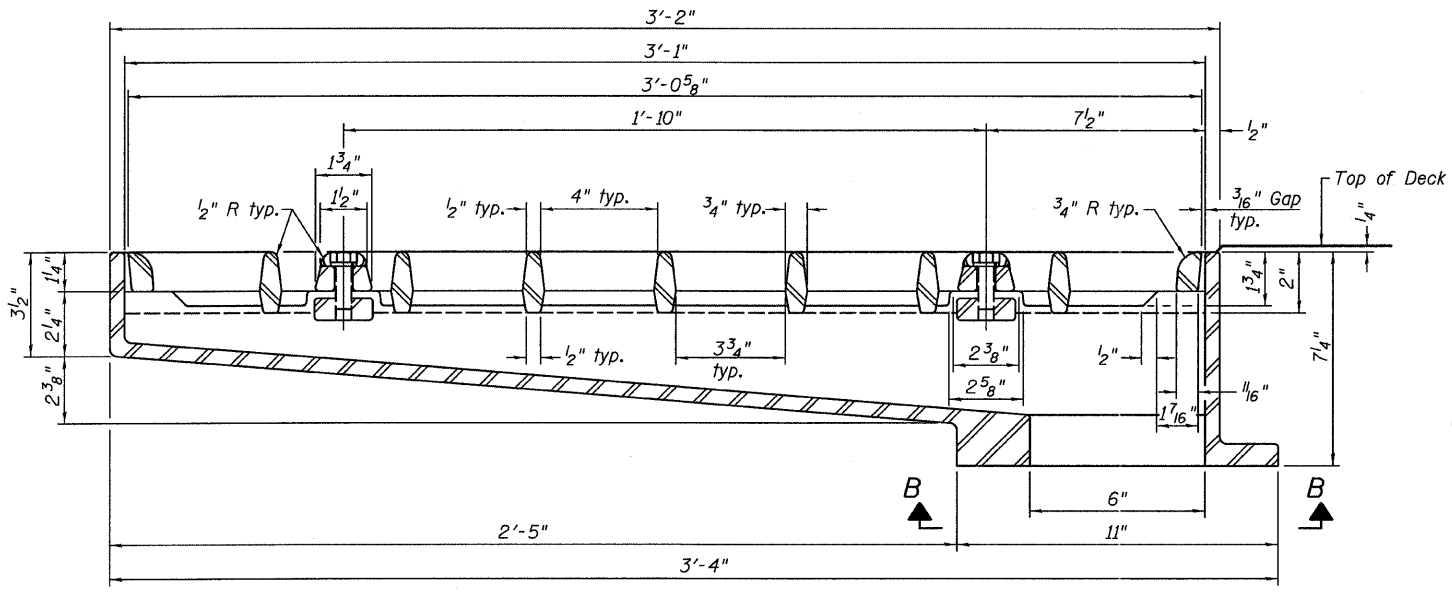
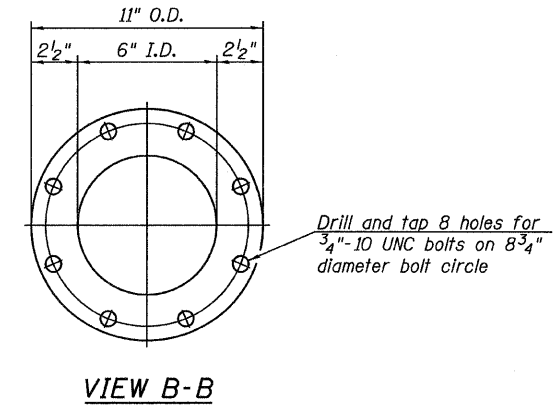
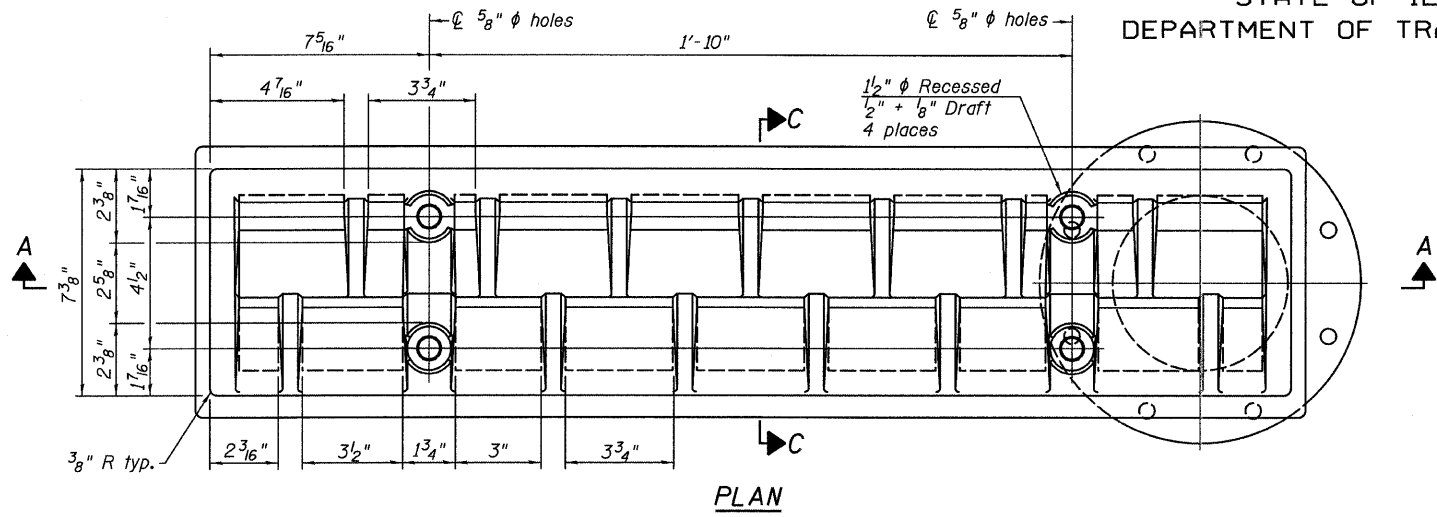
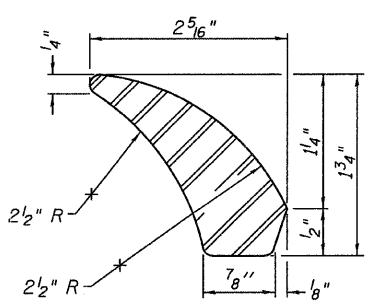
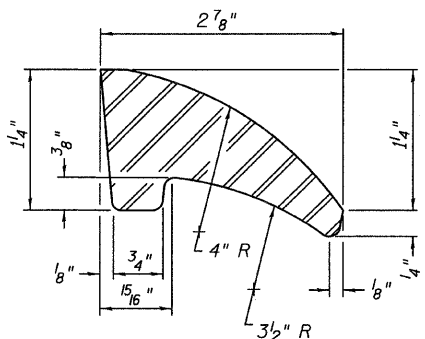


STATE OF ILLINOIS
DEPARTMENT OF TRANSPORTATION



See sheet of for scupper location relative to parapet.



BILL OF MATERIAL

ITEM	UNIT	QUANTITY
Drainage Scupper, DS-33	Each	12

DRAINAGE SCUPPER, DS-33
STRUCTURE NO. 016-3240

DS-33 7-1-10
TYLIN INTERNATIONAL

DESIGNED	BY	LS	REVISIONS
CHECKED	BY	AMD, LS	NAME
DRAWN	BY	DY, LS	DATE
CHECKED	AMD, LS		
DATE	03/25/2011		

SHEET NO. 34B	F.A.I. RTE.	SECTION	COUNTY	TOTAL SHEETS	SHEET NO.
73 SHEETS	55	0711.2R & 1011.1BR	COOK	741	637B
			CONTRACT NO. 60999		
FED. ROAD DIST. NO. 1 ILLINOIS FED. AID PROJECT					

pi:01345\structure\03 North Approach 016-3240\155c3ds33.dwg 9/15/10 AM