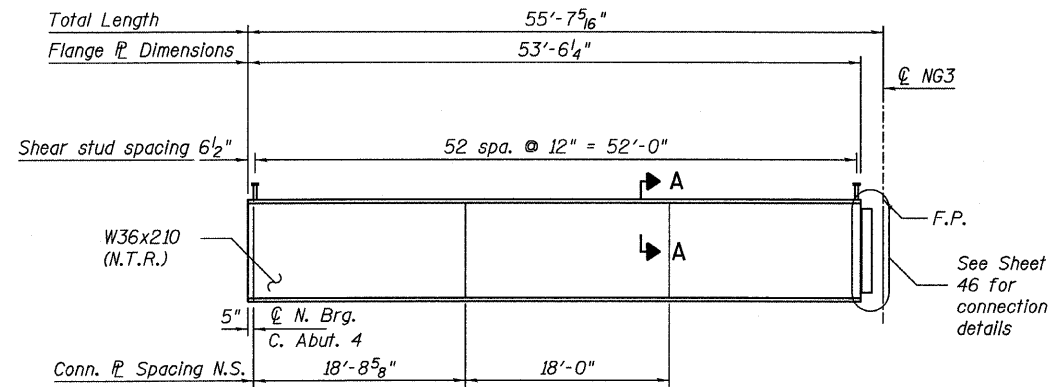
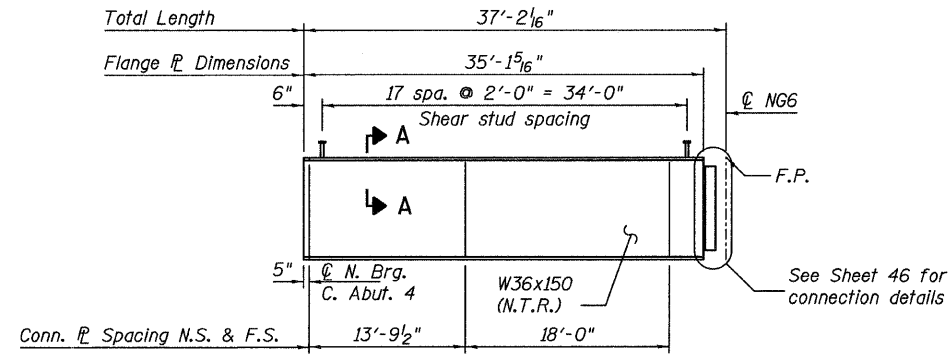


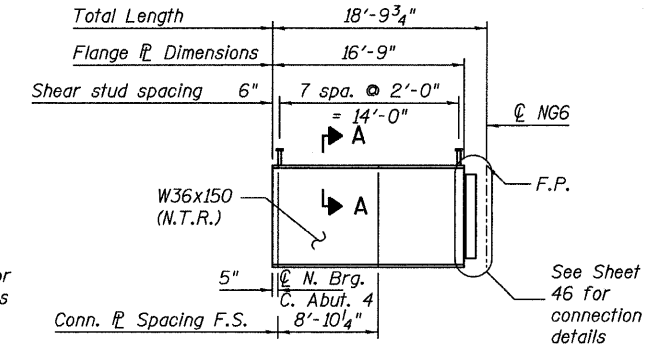
STATE OF ILLINOIS  
DEPARTMENT OF TRANSPORTATION



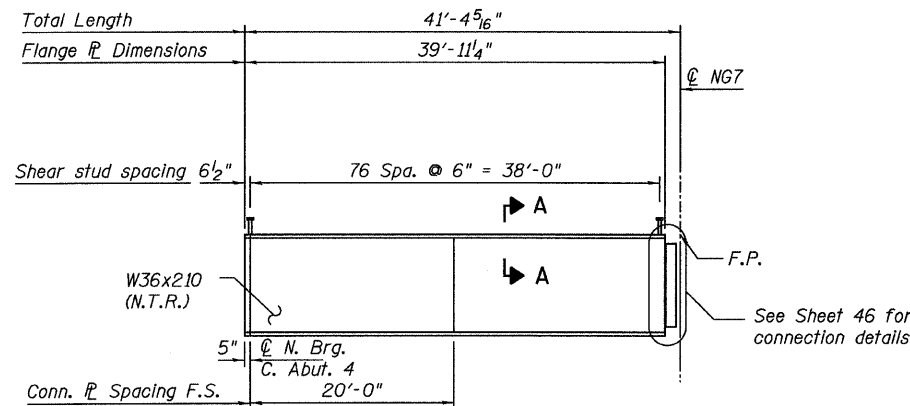
**GIRDER ELEVATION - NG6**  
(Looking West)



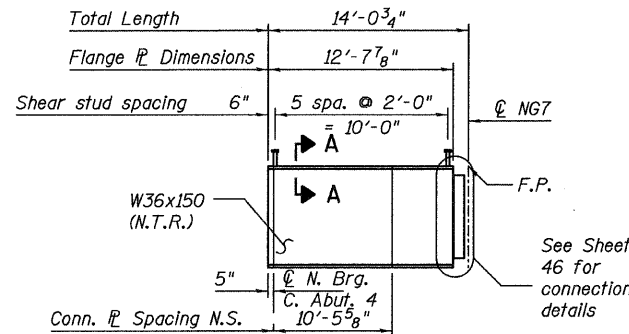
**GIRDER ELEVATION - NG5**  
(Looking West)



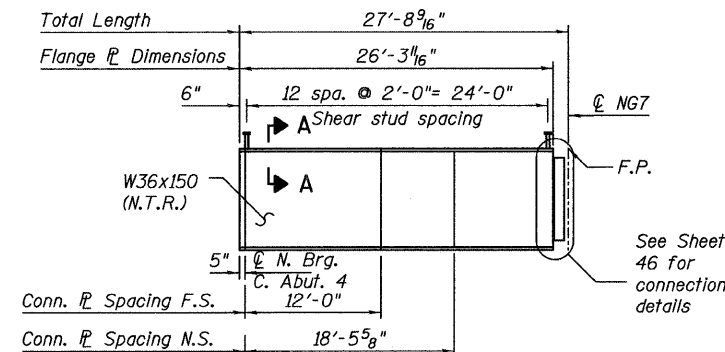
**GIRDER ELEVATION - NG4**  
(Looking West)



**GIRDER ELEVATION - NG10**  
(Looking West)



**GIRDER ELEVATION - NG8**  
(Looking West)



**GIRDER ELEVATION - NG9**  
(Looking West)

**NOTES:**

- All structural steel on this sheet shall conform to the requirements of AASHTO M270 Grade 50.
- Load carrying components designated "N.T.R." shall conform to the Supplemental Requirements for Notch Toughness, Zone 2.
- For Connections details, see Sheet 46.
- For Section A-A, see Sheet 43.
- F.S. - denotes Far Side.
- N.S. - denotes Near Side
- F.P. - denotes Framing Point.

**GIRDER ELEVATIONS-II**  
**SPANS 11, 12 & 13**  
**STRUCTURE NO. 016-3240**

<b>TYLIN INTERNATIONAL</b>	DESIGNED - DY, LS	REVISIONS		SHEET NO. 40	F.A.I. RTE.	SECTION	COUNTY	TOTAL SHEETS	SHEET NO.	
	CHECKED - AMD, LS	NAME	DATE		55	0711.2R & 1011.1BR	COOK	741	643	
	DRAWN - DY, LS				CONTRACT NO. 60999					
	CHECKED - AMD, LS				FED. ROAD DIST. NO. 1 ILLINOIS FED. AID PROJECT					
	DATE - 03/25/2011									

5/9/2011 9:15:39 AM p:\01345\structure\03\_North\_Approach\_016-3240\155c3famed12.dwg