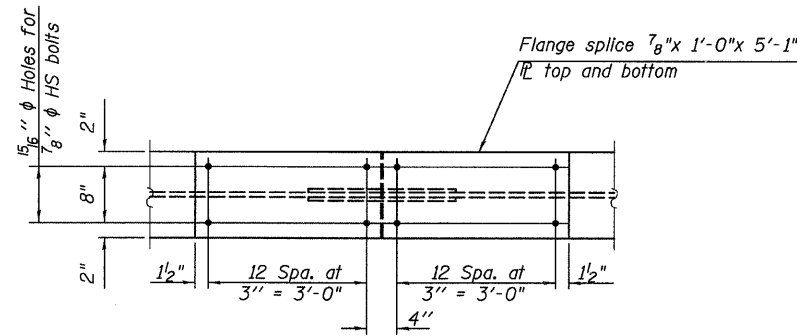
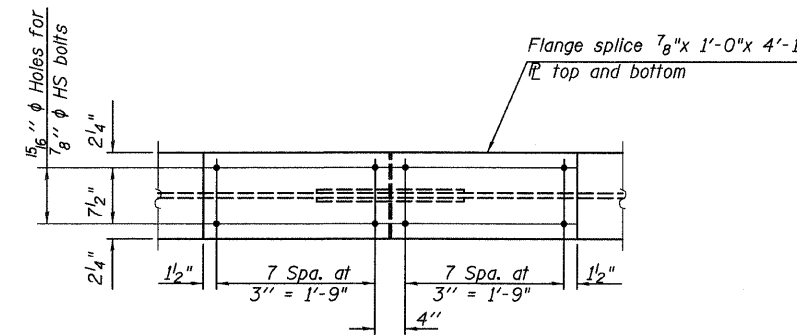


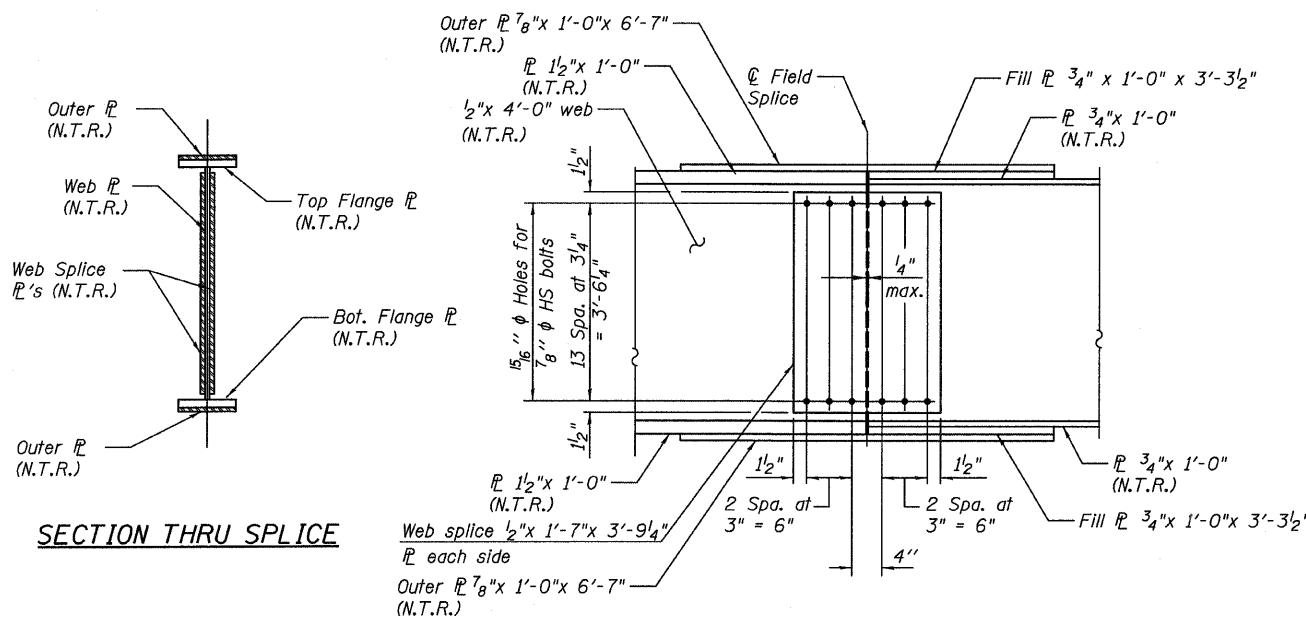
STATE OF ILLINOIS
DEPARTMENT OF TRANSPORTATION



PLAN



PLAN

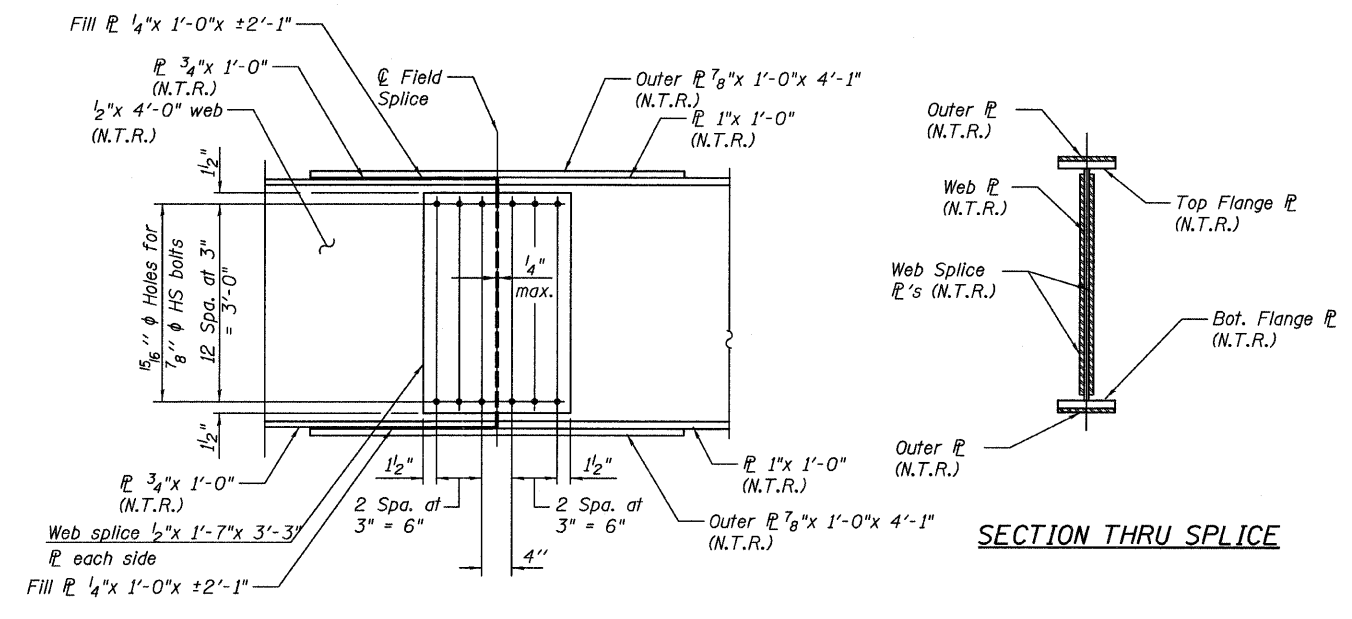


SECTION THRU SPLICE

ELEVATION

FIELD SPLICE - 1 DETAIL

(4 Required)



SECTION THRU SPLICE

ELEVATION

FIELD SPLICE - 2 DETAIL

(4 Required)

NOTES:

1. All structural steel shall be AASHTO M 270 Grade 50.
2. Load carrying components designated "N.T.R." shall conform to the Supplemental Requirements for Notch Toughness, Zone 2.

FRAMING DETAILS
FIELD SPLICES 1 & 2
STRUCTURE NO. 016-3240

TYLIN INTERNATIONAL	DESIGNED - DY, LS	REVISIONS		SHEET NO. 47	F.A.I. RTE.	SECTION	COUNTY	TOTAL SHEETS	SHEET NO.	
	CHECKED - AMD, LS	NAME	DATE		73 SHEETS	55	0711.2R & 1011.1BR	COOK	741	650
	DRAWN - DY, LS					CONTRACT NO. 60999				
	CHECKED - AMD, LS					FED. ROAD DIST. NO. 1 ILLINOIS FED. AID PROJECT				
	DATE - 03/25/2011									