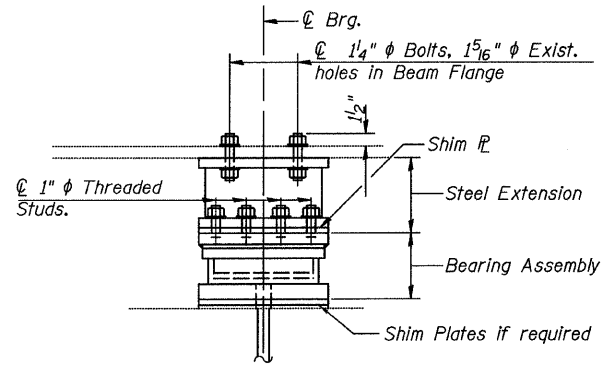
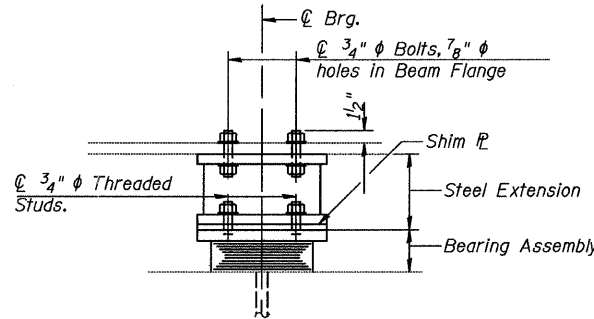


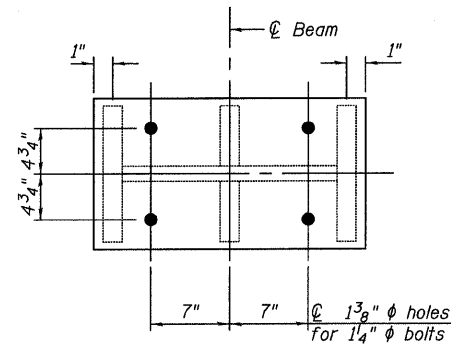
STATE OF ILLINOIS
DEPARTMENT OF TRANSPORTATION



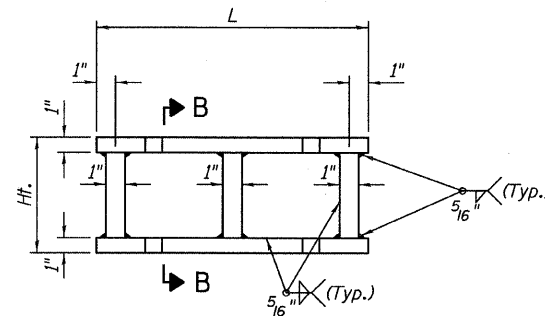
ELEVATION
HLMR GUIDED EXPANSION BRG.



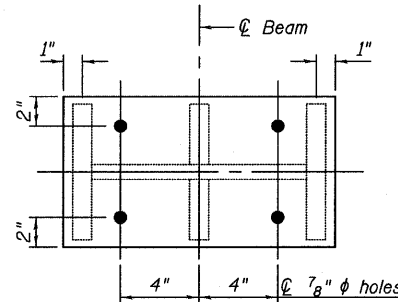
ELEVATION
TYPE I ELASTOMERIC EXP. BRG.



TOP PLAN STEEL EXTENSION
(HLMR BRGS.)

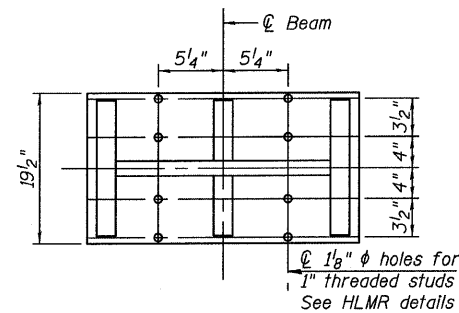


ELEVATION STEEL EXTENSION

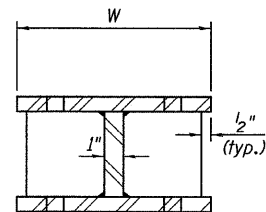


TOP PLAN STEEL EXTENSION
(TYPE I ELASTOMERIC EXP. BRGS.)

Note: Hole pattern same Top & Bottom



BOT PLAN STEEL EXTENSION
(HLMR BRGS.)



SECTION B-B
FABRICATED STEEL EXTENSION

Location	Girder No.	Brg. Type	Fabricated Steel Ext. Top & Bot. Size			
			W	L	Th	Ht.
Pier 8	R	I	14"	22"	1"	9 1/2"
	Q	I	14"	22"	1"	9 1/2"
	P	I	14"	22"	1"	9 1/2"
	N	I	14"	22"	1"	9 1/2"
	M	I	14"	22"	1"	9 1/2"
	L	I	14"	22"	1"	9 1/2"
	K	I	14"	22"	1"	9 1/2"
	J	I	14"	22"	1"	9 1/2"
	H	I	14"	22"	1"	9 1/2"
	G	I	14"	22"	1"	9 1/2"
	F	I	14"	22"	1"	9 1/2"
E	I	14"	22"	1"	9 1/2"	
D	I	14"	22"	1"	9 1/2"	
C	I	14"	22"	1"	9 1/2"	
B	I	14"	22"	1"	9 1/2"	
A	I	14"	22"	1"	9 1/2"	

Location	Girder No.	Brg. Type	Fabricated Steel Ext. Top & Bot. Size			
			W	L	Th	Ht.
Pier 10	P	HLMR	0"	0"	0"	0"
	N	HLMR	19 1/2"	22"	1"	1'-2 1/8"
	M	HLMR	19 1/2"	22"	1"	1'-2 1/8"
	L	HLMR	19 1/2"	22"	1"	1'-2 1/8"
	K	HLMR	19 1/2"	22"	1"	1'-2 1/8"
	J	HLMR	19 1/2"	22"	1"	1'-2 1/8"
	H	HLMR	19 1/2"	22"	1"	1'-2 1/8"
	G	HLMR	19 1/2"	22"	1"	1'-2 1/8"
	F	HLMR	19 1/2"	22"	1"	1'-2 1/8"
	E	HLMR	19 1/2"	22"	1"	1'-2 1/8"
	D	HLMR	19 1/2"	22"	1"	1'-2 1/8"
C	HLMR	19 1/2"	22"	1"	1'-2 1/8"	
B	HLMR	19 1/2"	22"	1"	1'-2 1/8"	
A	HLMR	19 1/2"	22"	1"	1'-2 1/8"	

NOTES

Prior to ordering any materials, the contractor shall verify in the field all bearing height and shim thickness dimensions.

The structural steel plates of the Bearing Assembly shall conform to the requirements of AASHTO M 270 Grade 36.

BEARING DETAILS
STRUCTURE NO. 016-3240

TYLIN INTERNATIONAL	DESIGNED - DY, LS	REVISIONS		SHEET NO. 53	F.A.I RTE.	SECTION	COUNTY	TOTAL SHEETS	SHEET NO.							
	CHECKED - AMD, LS	NAME	DATE							73 SHEETS	55	0711.2R & 1011.1BR	COOK	741	656	
	DRAWN - DY, LS															CONTRACT NO. 60999
	CHECKED - AMD, LS															
	DATE - 03/25/2011															

9:20:45 AM
E:\01345\structure\C3_North_Approach_016-3240\55c3bearing.dwg
5/9/2011