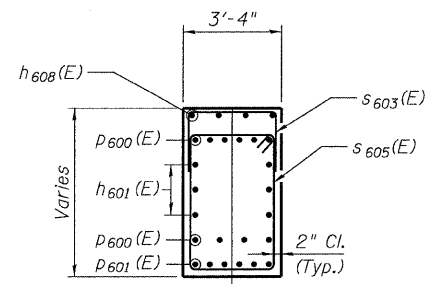
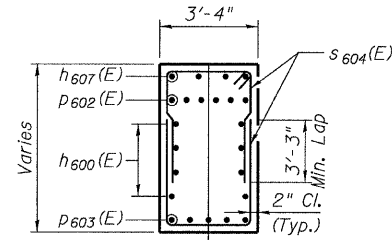


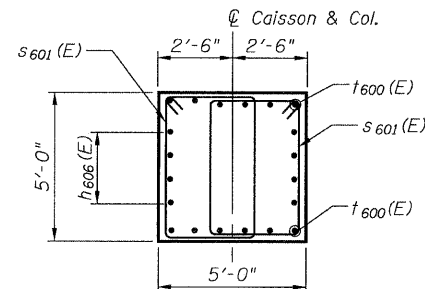
STATE OF ILLINOIS
DEPARTMENT OF TRANSPORTATION



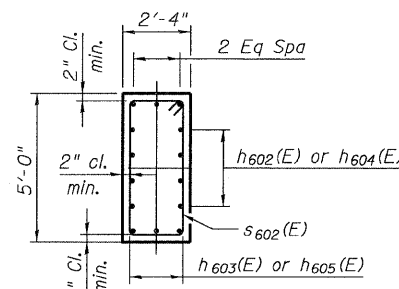
SECTION B-B



SECTION H-H



SECTION G-G



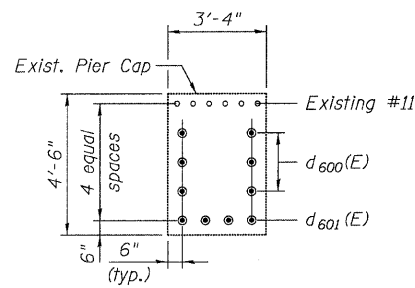
SECTION D-D

MINIMUM BAR LAPS

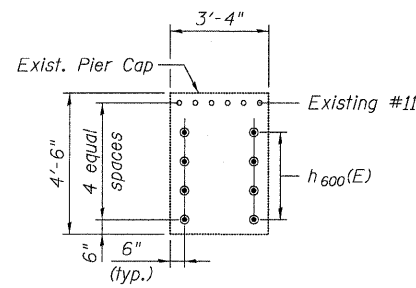
Bar Size	Min. Lap
#5	3'-8"
#6	4'-5"
#9	8'-7"

BILL OF MATERIAL

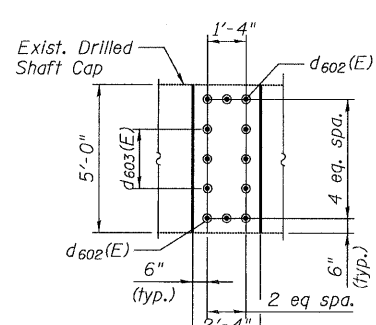
Bar	No.	Size	Length	Shape
d600(E)	10	#5	4'-7"	—
d601(E)	4	#8	7'-11"	—
d602(E)	16	#9	5'-10"	—
d603(E)	12	#5	2'-6"	—
h600(E)	8	#5	8'-1"	—
h601(E)	6	#5	18'-7"	—
h602(E)	8	#5	18'-5"	—
h603(E)	6	#9	18'-5"	—
h604(E)	8	#5	8'-3"	—
h605(E)	6	#9	8'-3"	—
h606(E)	16	#5	11'-8"	—
h607(E)	4	#5	8'-8"	—
h608(E)	4	#5	18'-7"	—
n600(E)	36	#9	15'-0"	—
n601(E)	76	#9	12'-10"	—
p600(E)	6	#11	20'-7"	—
p601(E)	6	#9	19'-11"	—
p602(E)	6	#11	9'-2"	—
p603(E)	5	#9	7'-7"	—
p604(E)	4	#8	18'-7"	—
s600(E)	8	#5	11'-0"	—
s601(E)	60	#5	16'-7"	—
s602(E)	27	#5	14'-3"	—
s603(E)	19	#5	8'-0"	—
s604(E)	8	#5	11'-10"	—
s605(E)	25	#5	16'-3"	—
s606(E)	14	#5	10'-6"	—
sp600(E)	2	#5	24'-7"	—
sp601(E)	2	#5	73'-2"	—
t600(E)	24	#9	11'-8"	—
u600(E)	10	#6	13'-3"	—
v600(E)	36	#9	28'-1"	—
v601(E)	152	#9	40'-2"	—
v602(E)	5	#5	4'-9"	—
v603(E)	14	#9	12'-9"	—
Mechanical Splicers	EACH		12	
Drilled Shaft in Soil	CU YD		134.0	
Drilled Shaft in Rock	CU YD		1.4	
Structure Excavation	CU YD		83.5	
Concrete Structures	CU YD		63.2	
Reinforcement Bars, Epoxy Coated	POUND		41,520	



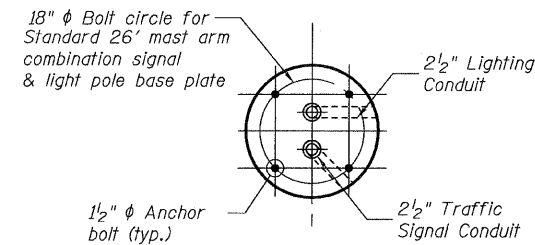
SECTION E-E



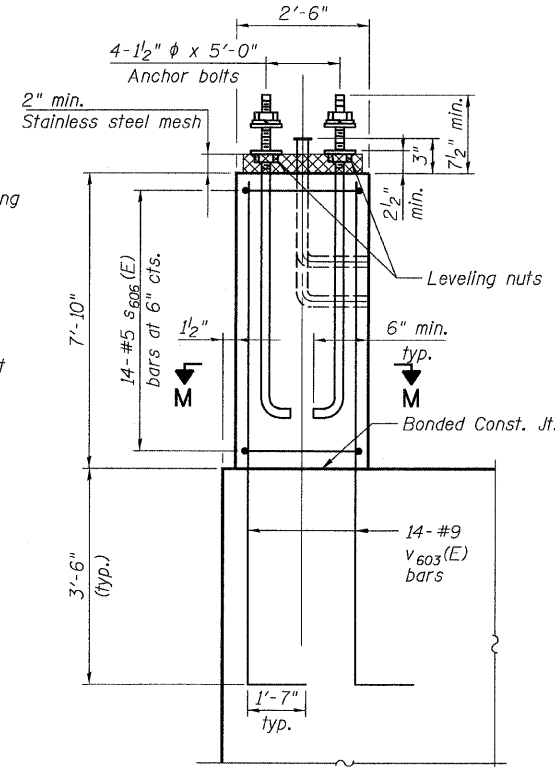
SECTION J-J



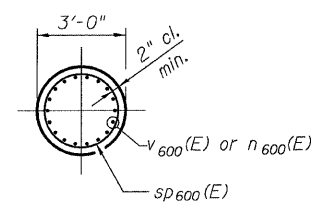
SECTION F-F



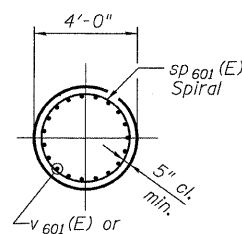
SECTION M-M



DETAIL 1



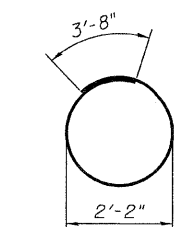
SECTION A-A



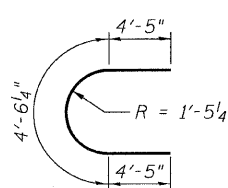
SECTION C-C

Bar	c	d
n600(E)	1'-7"	13'-5"
p600(E)	2'-0"	18'-7"
p602(E)	2'-0"	7'-2"
v603(E)	1'-7"	11'-2"

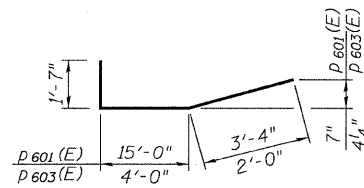
BAR n600(E), p600(E), p602(E), & v603(E)



BAR s606(E)



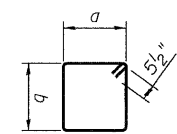
BAR u600(E)



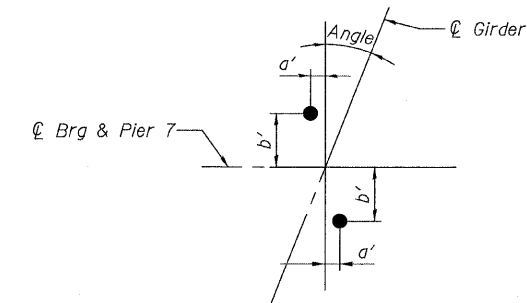
BAR p601(E) & p603(E)

Bar	a	b
s600(E)	3'-0"	4'-0"
s603(E)	3'-0"	2'-6"
s604(E)	3'-0"	4'-6"

BAR s600(E), s603(E), & s604(E)



BAR s601(E), s602(E) & s605(E)



ANCHOR BOLT LAYOUT

Beam	Angle	a'	b'
NG7	20°57'48"	8 3/8"	3 1/4"
A Thru R	To Remain		
NG1, NG2 & NG3	21°39'15"	8 3/8"	3 5/8"

PIER 7 DETAILS
STRUCTURE NO. 016-3240

TYLIN INTERNATIONAL

DESIGNED	DY, LS	REVISIONS	NAME	DATE
CHECKED	AMD, LS			
DRAWN	DY, LS			
CHECKED	AMD, LS			
DATE	03/25/2011			

SHEET NO.	F.A.I. RTE.	SECTION	COUNTY	TOTAL SHEETS	SHEET NO.
73	55	0711.2R & 1011.1BR	COOK	741	659
CONTRACT NO. 60999					
FED. ROAD DIST. NO. 1 ILLINOIS FED. AID PROJECT					