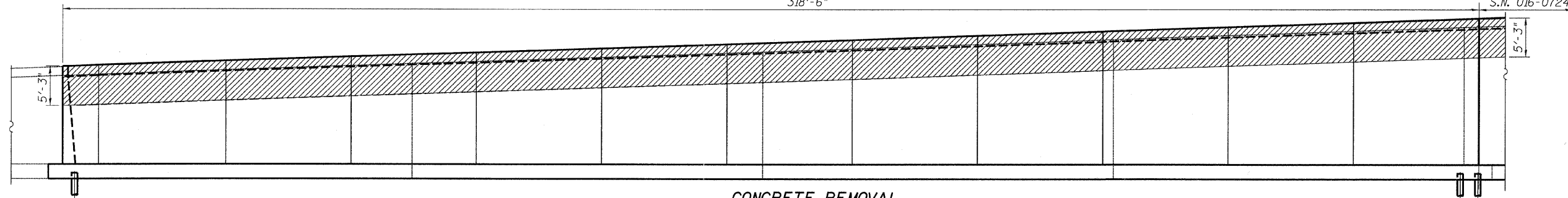


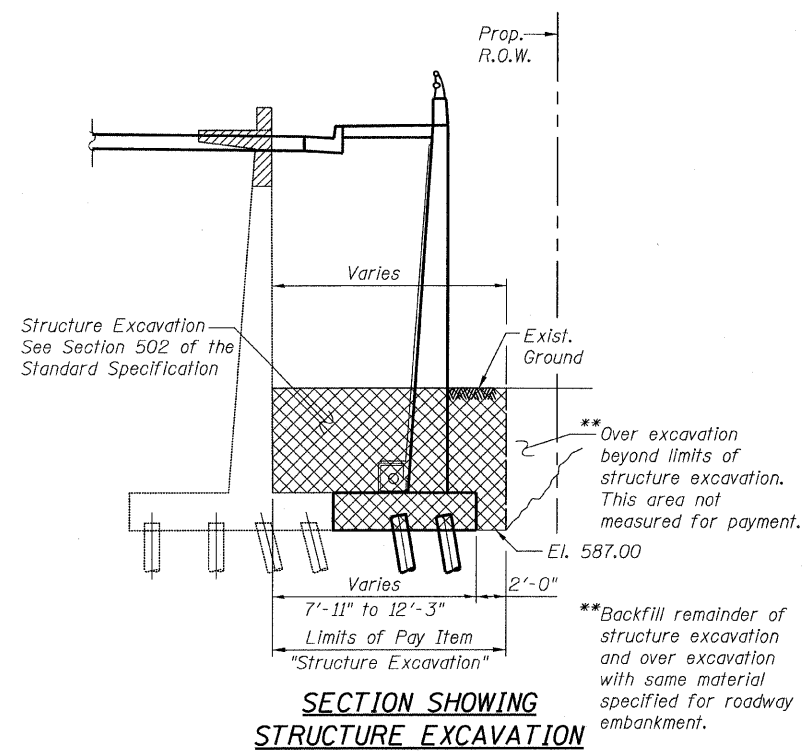
STATE OF ILLINOIS
DEPARTMENT OF TRANSPORTATION

318'-6"

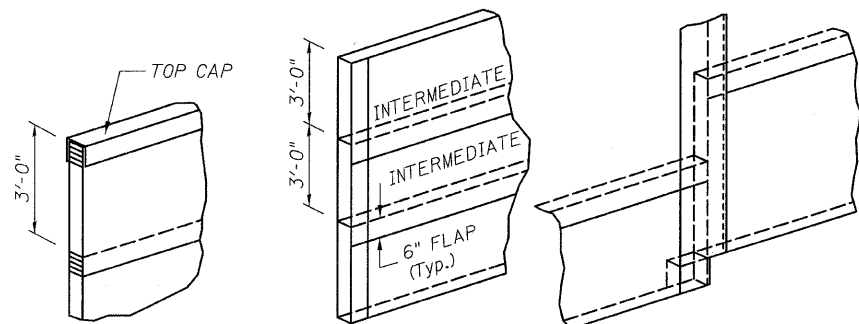
S.N. 016-0724



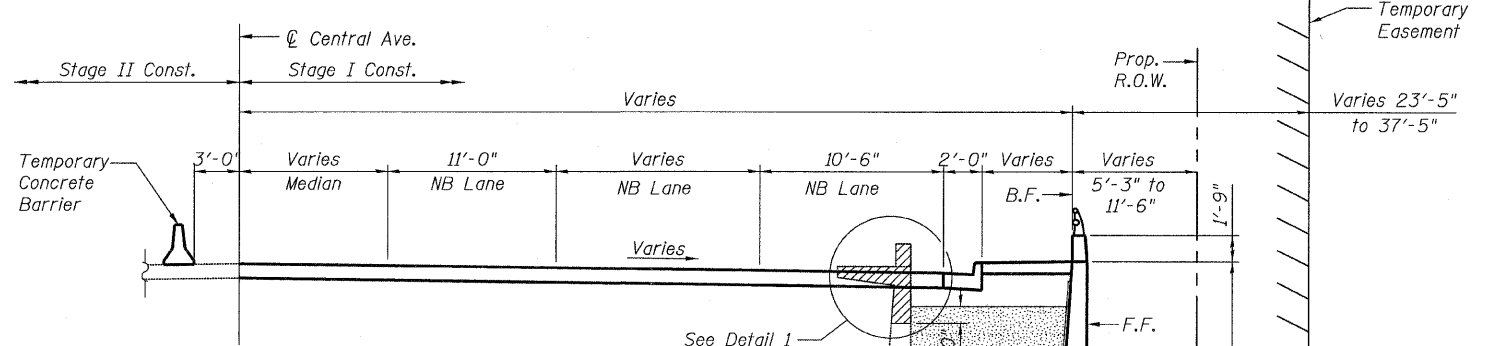
CONCRETE REMOVAL



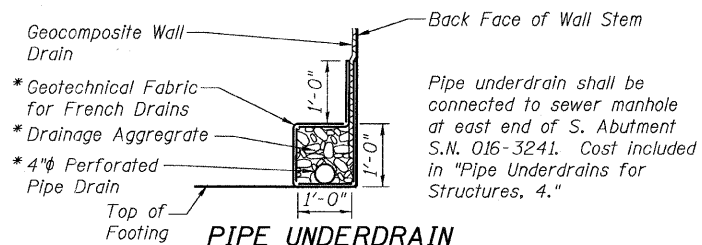
SECTION SHOWING
STRUCTURE EXCAVATION



GEOCOMPOSITE WALL DRAIN DETAILS

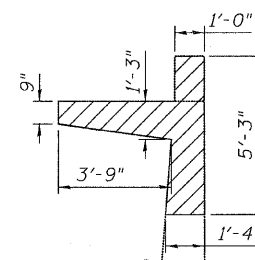


TYPICAL SECTION
THROUGH RETAINING WALL

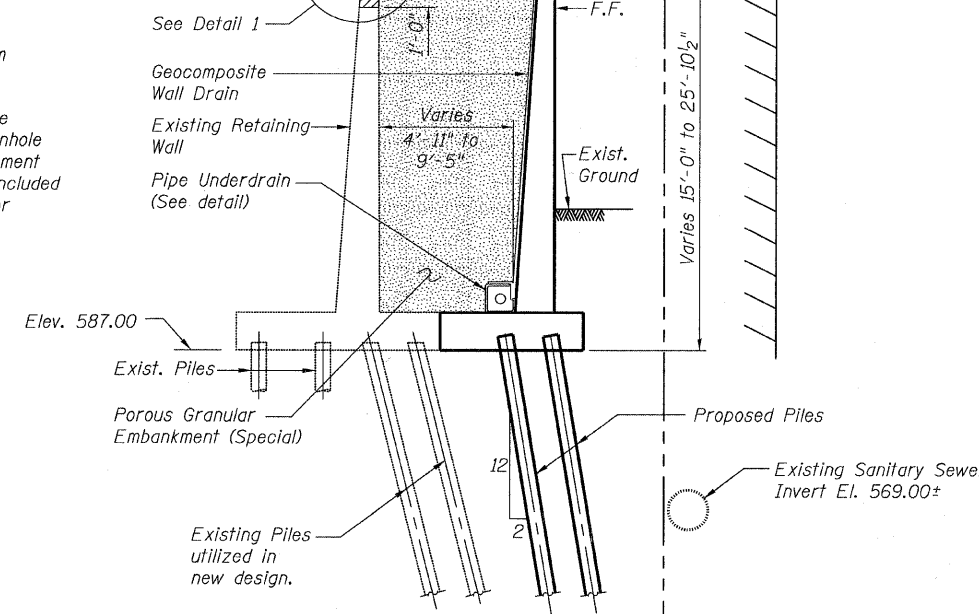


PIPE UNDERDRAIN
DETAIL

* Included in the cost of "Pipe Underdrains for Structures"



DETAIL 1



TYPICAL WALL SECTIONS
AND DRAINAGE DETAILS
STRUCTURE NO. 016-W821

LEGEND

- Concrete Removal
- Porous Granular Embankment
- Structure Excavation

BILL OF MATERIAL

Item	Unit	TOTAL
Porous Granular Embankment (Special)	CU YD	1,070
Concrete Removal	CU YD	113.4
Structure Excavation	CU YD	1,023
Pipe Underdrains for Structures, 4"	FOOT	323

TYLIN INTERNATIONAL	DESIGNED - MMB	REVISIONS		SHEET NO. 2	F.A.I. RTE. 55	SECTION 0711.2R & 1011.1BR	COUNTY COOK	TOTAL SHEETS	SHEET NO.
	CHECKED - AMD,	NAME	DATE					741	678
	DRAWN - MMB							CONTRACT NO. 60999	
	CHECKED - AMD,							FED. ROAD DIST. NO. 1 ILLINOIS FED. AID PROJECT	
	DATE - 03/25/2011			16 SHEETS					5/10/2011