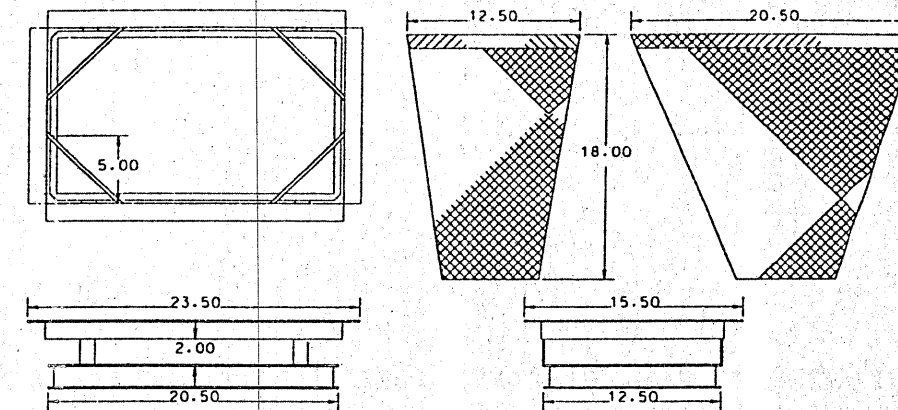


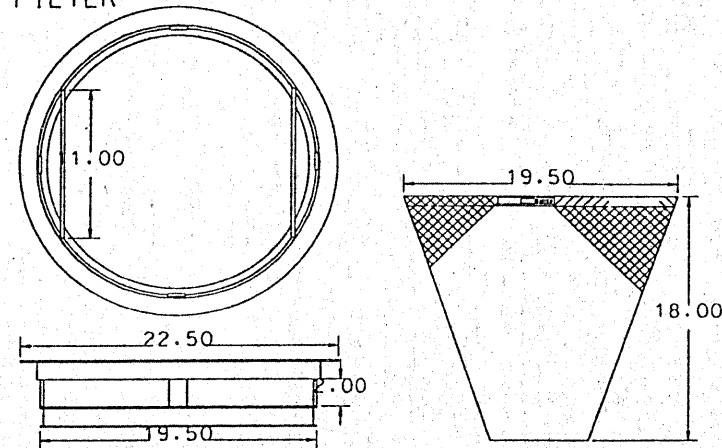
TYPE 23 INLET FILTER

NOTES:
 FRAME: Top piece shall be fabricated from 1 1/4" x 1 1/4" x 1/8" angle.
 Base piece shall be fabricated from 1 1/2" x 1/2" x 1/8" channel. Handles and suspension brackets shall be fabricated from 1 1/4" x 1/4" flat stock.



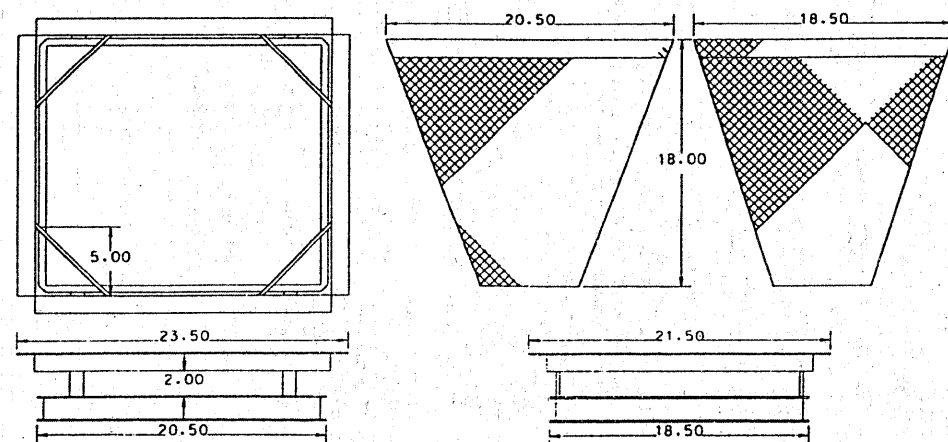
TYPE 1 INLET FILTER

NOTES:
 FRAME: Top ring shall be fabricated from 1 1/4" x 1 1/4" x 1/8" angle. Base ring shall be fabricated from 1 1/2" x 1/2" x 1/8" channel. Handles and suspension brackets shall be fabricated from 1 1/4" x 1/4" flat stock.



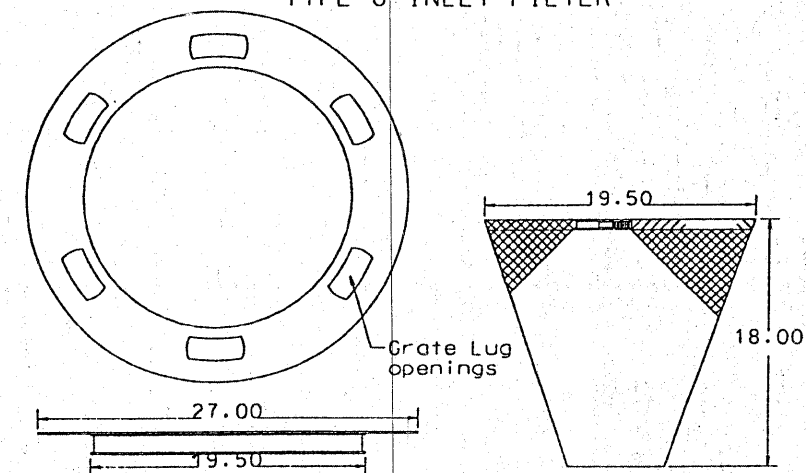
TYPE 24 INLET FILTER

NOTES:
 FRAME: Top piece shall be fabricated from 1 1/4" x 1 1/4" x 1/8" angle. Base piece shall be fabricated from 1 1/2" x 1/2" x 1/8" channel. Handles and suspension brackets shall be fabricated from 1 1/4" x 1/4" flat stock.



TYPE 8 INLET FILTER

NOTES:
 FRAME: Flange shall be fabricated from 1/8" flat stock. Base ring shall be fabricated from 1 1/2" x 1/2" x 1/8" channel.



REVISIONS		ILLINOIS DEPARTMENT OF TRANSPORTATION
NAME	DATE	
		INLET FILTER DETAILS
SCALE		DRAWN BY CHECKED BY
DATE		