

INDEX OF SHEETS

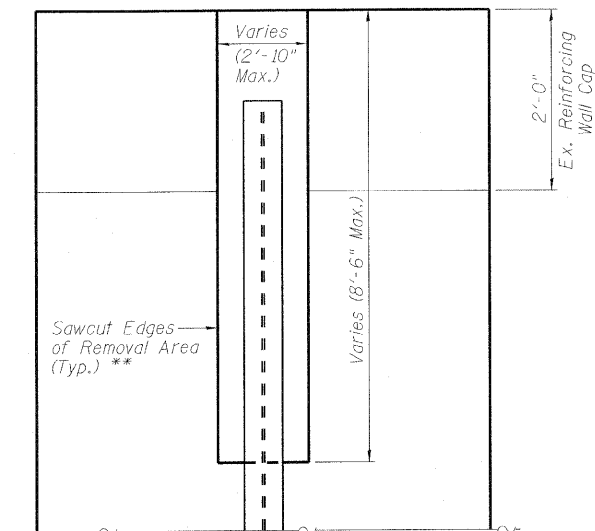
- S1. General Plan and Elevation
- S2. General Notes, Bill of Materials and Index of Sheets
- S3. Enlarged Partial Plan and Elevation I
- S4. Enlarged Partial Plan and Elevation II
- S5. Enlarged Partial Plan and Elevation III
- S6. Enlarged Partial Plan and Elevation IV
- S7. Soldier Pile Retaining Wall Details
- S8. Soldier Pile Information and CIP Bill of Materials
- S9. Soil Boring Logs

GENERAL NOTES:

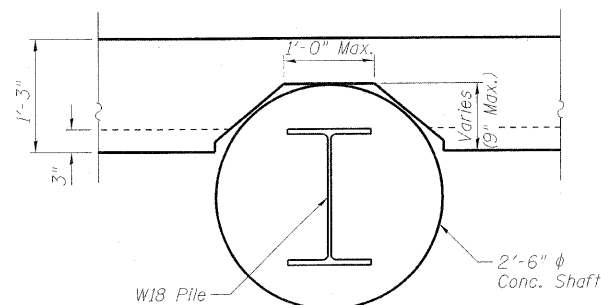
1. All structural steel shall be AASHTO M270 Grade 50, unless otherwise noted.
2. No field welding is permitted, except as specified in the contract documents.
3. Reinforcement bars shall conform to the requirements of ASTM A706 Gr. 60. See Special Provisions.
4. All reinforcement bars shall be epoxy coated.
5. Plan dimensions and details relative to existing plans are subject to nominal construction variations. The Contractor shall field verify existing dimensions and details affecting new construction and make necessary approved adjustments prior to construction or ordering of materials. Such variations shall not be cause for additional compensation for a change in scope of the work, however, the Contractor will be paid for the quantity actually furnished at the unit price bid for the work.
6. Staged construction shall be utilized to maintain traffic at all times.
7. Reinforcing bars shall be lapped a minimum as shown on the plans where splices occur.
8. Shear stud connectors shall be 3/4" diameter x 6" granular or flux filled headed studs automatically end welded to the front flange in the field.
9. Protective Coat shall be applied to all exposed surfaces of the wall and shall extend 1'-0" minimum below finished grade.
10. All construction joints shall be bonded.
11. All exposed edges shall have a 3/4" chamfer, except as shown otherwise. Chamfers on vertical surfaces shall be continued a minimum of 1'-0" below finished ground level.
12. The cost of cutting off any piling in excess of that needed shall be included in the cost of "Drilling and Setting Soldier Piles."
13. Drilling and setting of soldier piles will require drilling through layers of sand and gravel; refer to boring logs. The use of temporary drill casings or drilling slurry may be required to keep holes open prior to placement of the concrete at no additional cost to the contract. Refer to Special Provisions "Drilled Soldier Pile Walls."
14. The cost for removal and disposal of portion of the existing retaining wall footing to accommodate installation of the pile shall be included in the pay item for "Drilling and Setting Soldier Piles (In Soil)."
15. The cost of any tree trimming/pruning to accommodate installation of the piles shall be included in the pay item for Drilling and Setting Soldier Piles (In Soil)."
16. The Contractor is responsible for the design and performance of the lagging using no less than a 3" nominal rough-sawn thickness and timber with an allowable bending stress of 1000 psi.

TOTAL BILL OF MATERIAL

ITEM DESCRIPTION	UNIT	TOTAL
Porous Granular Embankment (Special)	Cu. Yd.	320
Protective Coat	Sq. Yd.	390
Concrete Removal	Cu. Yd.	1.7
Concrete Structures	Cu. Yd.	128.7
Shear Stud Connectors	Each	405
Reinforcement Bars, Epoxy Coated	Pound	12,710
Geocomposite Wall Drain	Sq. Yd.	232
Drilling and Setting Soldier Piles (In Soil)	Cu. Ft.	3753
Untreated Timber Lagging	Sq. Ft.	2,825
Furnish Soldier Piles (W Section)	Foot	1,145
Pipe Underdrains For Structures, 4"	Foot	418
Concrete Gutter (Special)	Foot	393
Guardrail Removal Attached to Structure	Foot	17



ELEVATION



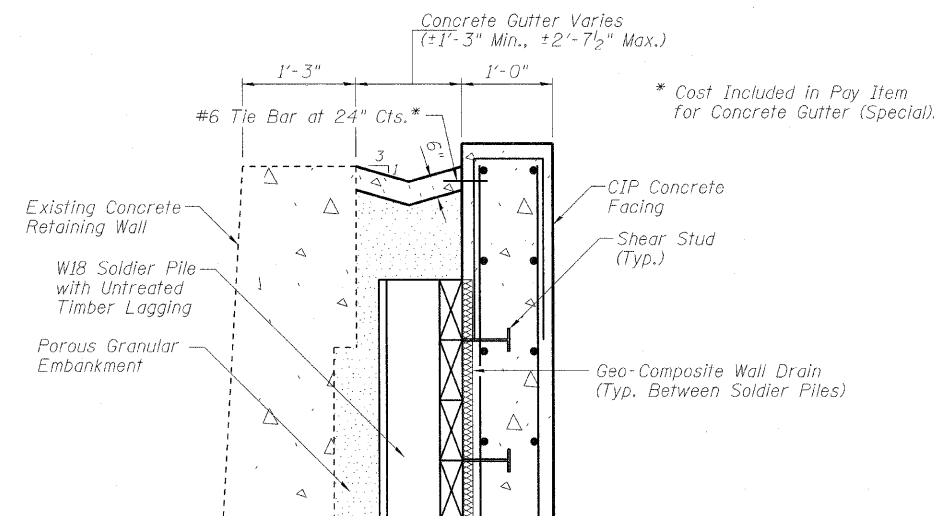
PLAN

PARTIAL DEMOLITION OF EXISTING WALL TO ACCOMMODATE PILE LOCATION

** Cost Included in Pay Item for Concrete Removal.

Note:
Concrete removal of existing retaining wall to be performed only at locations where leaning of the existing wall interferes with Pile/Shaft installation as directed by the Resident Engineer.

It is anticipated that partial demolition of the existing wall will be required at approximately 20% of pile locations.



CONCRETE GUTTER (SPECIAL)

FILE NAME =	USER NAME =	DESIGNED - JMS	REVISOR -	STATE OF ILLINOIS DEPARTMENT OF TRANSPORTATION	GENERAL NOTES, BILL OF MATERIALS AND INDEX OF SHEETS STRUCTURE NO. 016-W992	F.A.U. RTE.	SECTION	COUNTY	TOTAL SHEETS	SHEET NO.	
		CHECKED - JMH	REVISOR -			2843	3249-1-2	COOK	25	12	
		DRAWN - DR	REVISOR -			CONTRACT NO. 60L18					
		CHECKED - JMH	REVISOR -			ILLINOIS FED. AID PROJECT					
					SHEET NO. S2 OF S9 SHEETS						