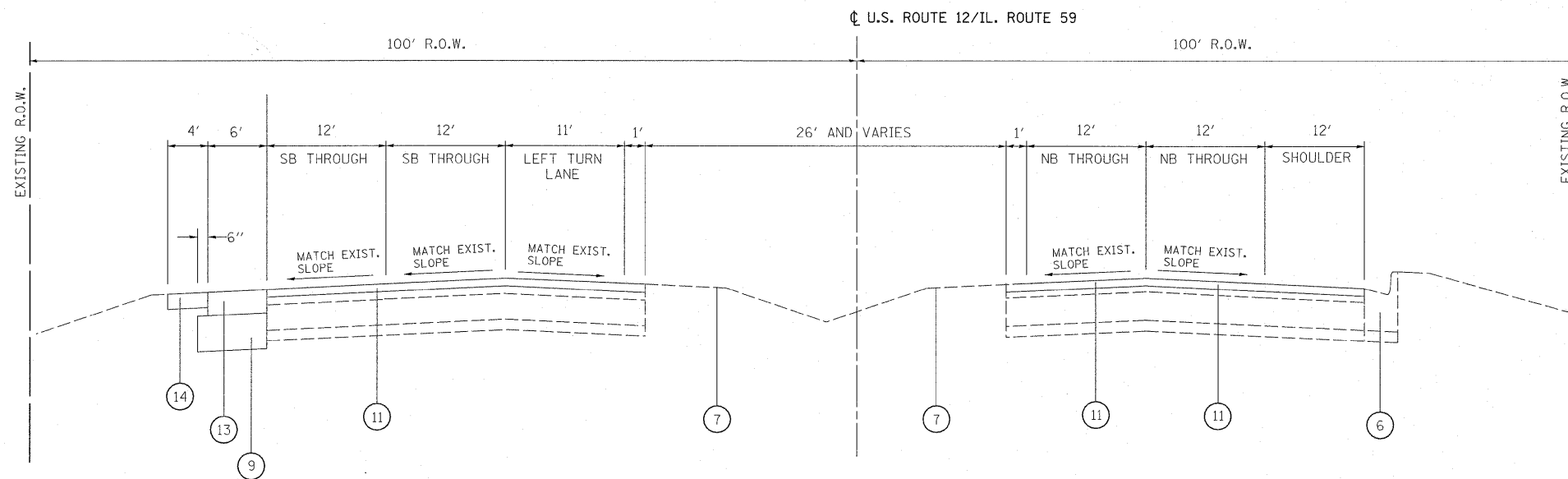


EXISTING TYPICAL SECTION
U.S. ROUTE 12/IL. ROUTE 59
STA. 517+65 TO 520+13



PROPOSED TYPICAL SECTION
U.S. ROUTE 12/IL. ROUTE 59
STA. 517+65 TO 520+13

LEGEND

- ① EXISTING HMA SURFACE, 3.5±
- ② EXISTING PCC PAVEMENT, 10"
- ③ EXISTING SUBBASE GRANULAR MATERIAL 4"
- ④ EXISTING AGGREGATE SHOULDER
- ⑤ EXISTING HMA SHOULDER
- ⑥ EXISTING CURB & GUTTER, TYPE B-6.12
- ⑦ EXISTING PARKWAY
- ⑧ PROPOSED HMA SURFACE COURSE, REMOVAL, 2"
- ⑨ PROPOSED AGGREGATE SUBGRADE, 12"
- ⑩ PROPOSED SUBBASE GRANULAR MATERIAL, TYPE B, 5"
- ⑪ PROPOSED POLYMERIZED HMA SURFACE COURSE, MIX "F", N90, 2"
- ⑫ PROPOSED HMA BASE COURSE, 11 1/2" (3 LIFTS)
- ⑬ PROPOSED HMA SHOULDER, 8" (2 LIFTS)
- ⑭ PROPOSED AGGREGATE SHOULDER, 6"
- ⑮ PROPOSED FURNISH & PLACE TOPSOIL, 4" CLASS 2A SEED
- ⑯ PROPOSED AGGREGATE WEDGE SHOULDER, TYPE B
- ⑰ PROPOSED GRADING AND SHAPING SHOULDERS
- ⑱ PROPOSED PIPE UNDERDRAINS, 4" STA. 514+75 TO STA. 515+25 RT. 30" BELOW PROPOSED PAVEMENT SURFACE.

FILE NAME = P141309-Design.dgn	USER NAME = banks1	DESIGNED -	REVISED -	STATE OF ILLINOIS DEPARTMENT OF TRANSPORTATION	U.S. ROUTE 12/IL. ROUTE 59 @ BONNER ROAD EXISTING & PROPOSED TYPICAL SECTIONS				F.A.P. RTE.	SECTION	COUNTY	TOTAL SHEETS	SHEET NO.
	PLOT SCALE = 50.0000' / IN.	DRAWN -	REVISED -						334	OR-N	LAKE	40	6
	PLOT DATE = 4/2/2011	CHECKED -	REVISED -		SCALE: NONE	SHEET NO.	OF	SHEETS	STA.	TO	STA.	CONTRACT NO. 60L20	
											ILLINOIS FED. AID PROJECT		